

Technical Specification

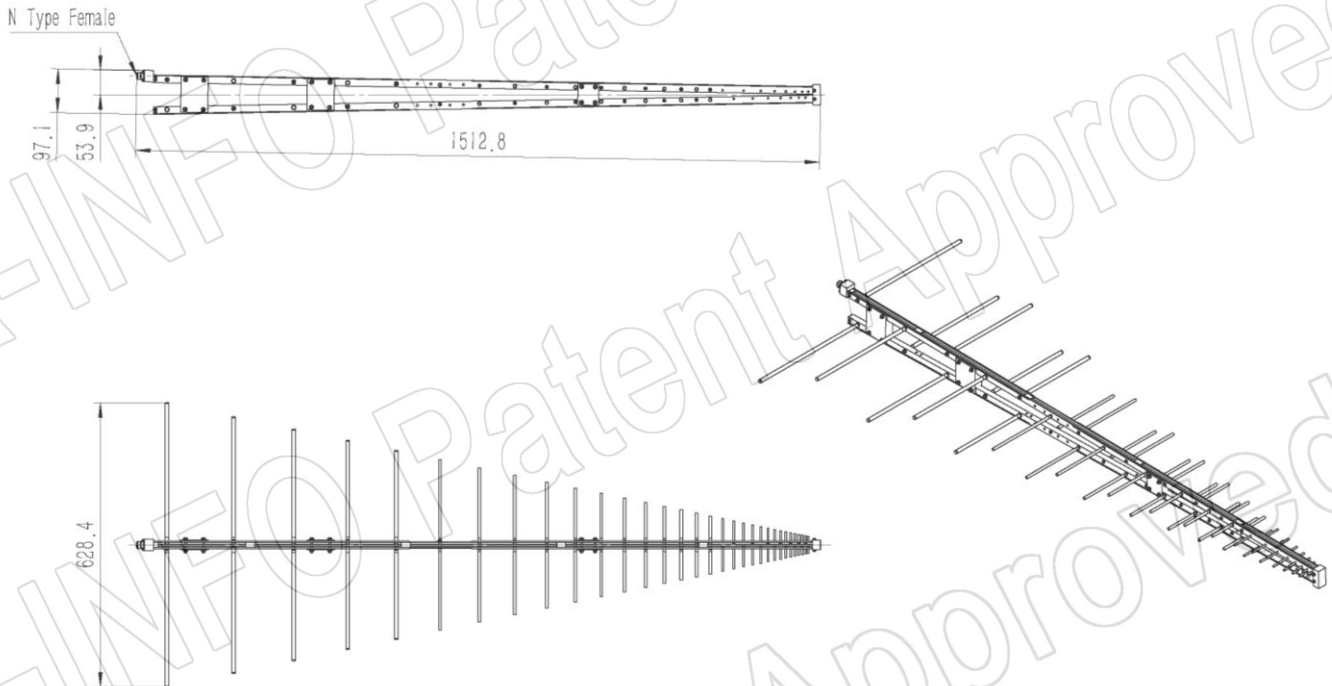
P/N: DS-25200-H	
Frequency Range(GHz)	0.25 – 2.0
Gain(dBi)	8.5 Typ.
Polarization	Linear
3dB Beamwidth(deg)	E Plane: 63 - 48
	H Plane: 90 - 71
Cross Pol. Isolation(dB)	15 Typ. / 8 Min.
VSWR	2.0:1 Typ. / 3.0:1 Max.
Output	N-Female
Average Power(W CW)	300 (200 @ 2.0GHz)
Peak Power(KW)	3
Material	Al
Size(mm)	628.4 x 97.1 x 1512.8
Net Weight(Kg)	1.70 Around

PATENT ID (China)

ZL201630458323.5

Outline Drawing (Size: mm)

DS-25200-H (P/N: DS-25200-H)



AINFO Inc.

Page 1 of 5

China(Beijing):
China(Chengdu):
USA :

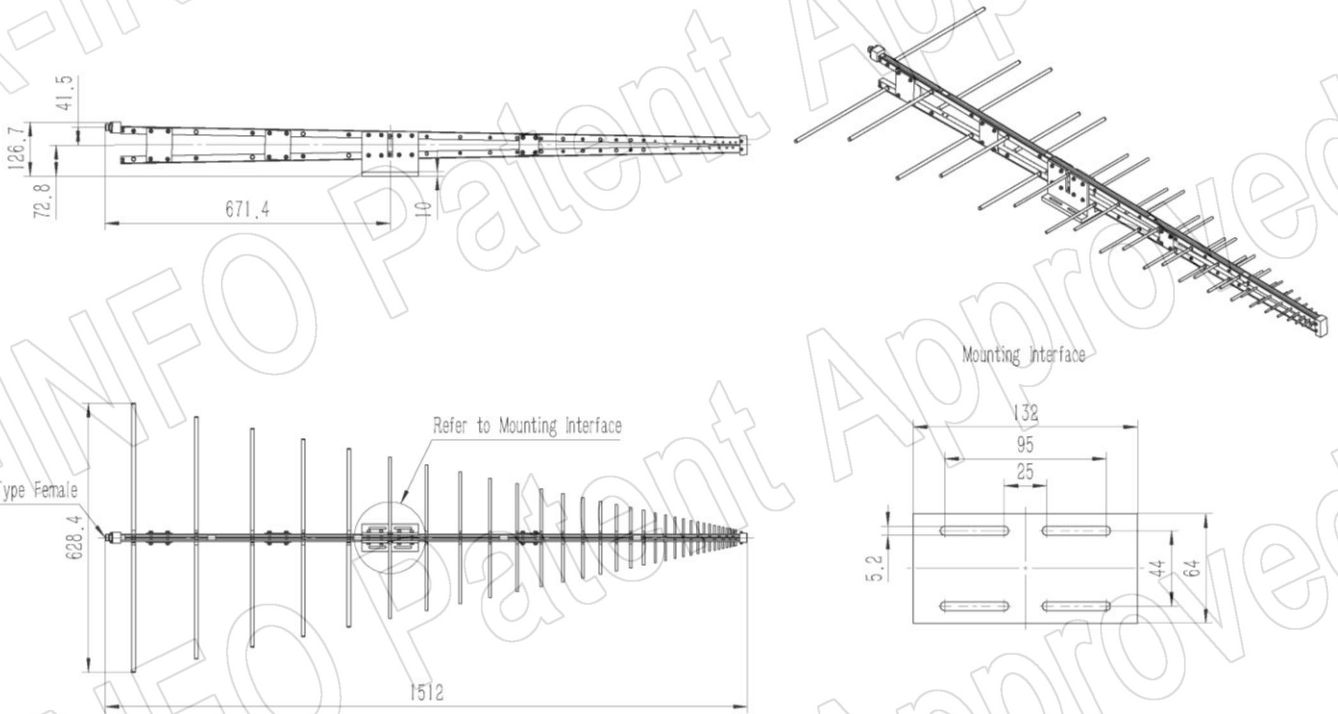
Tel: (+86) 10-6266-7326,
Tel: (+86) 28-8519-2786,
Tel: (+1) 949-639-9688,

(+86) 10-6266-7327
(+86) 28-8519-3044
(+1) 949-639-9608

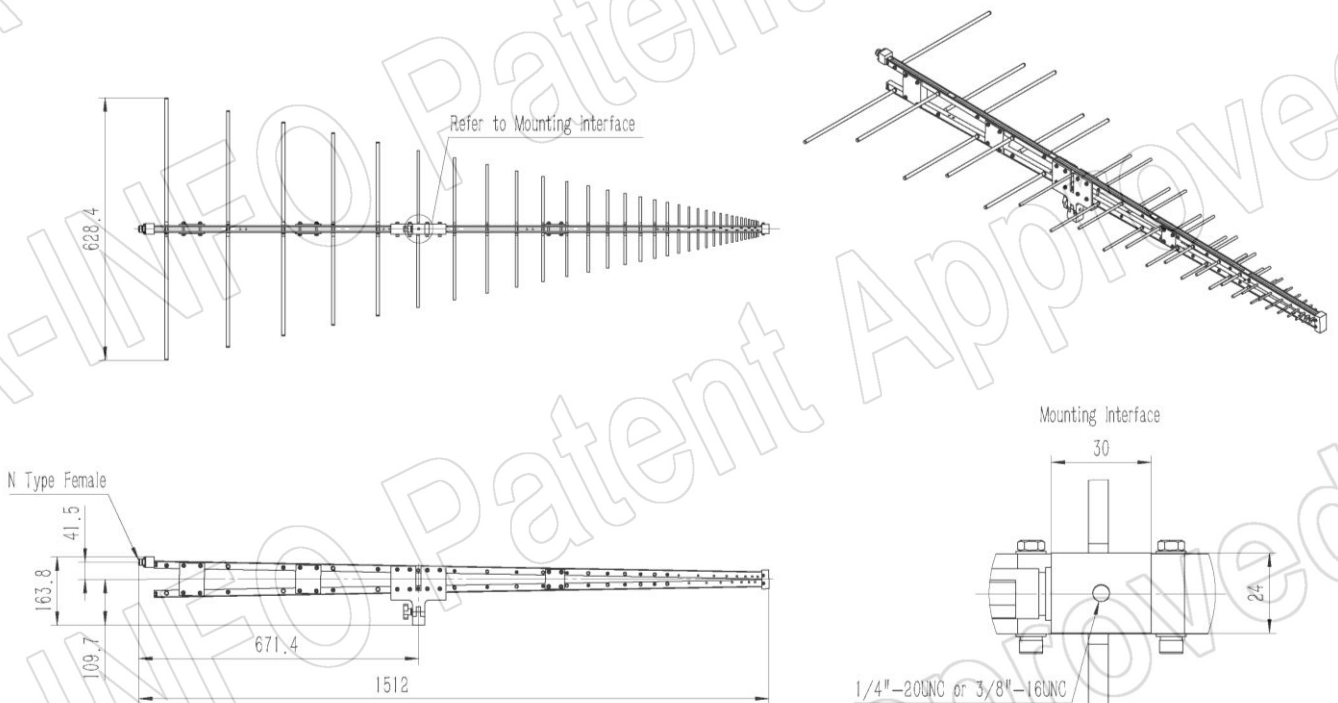
Fax: (+86) 10-6266-7379
Fax: (+86) 28-8519-3068
Fax: (+1) 949-639-9670

Website: www.ainfoinc.com
Email: sales@ainfoinc.com

DS-25200-H with Mounting Bracket (Option, P/N: DS-25200-H-MB)

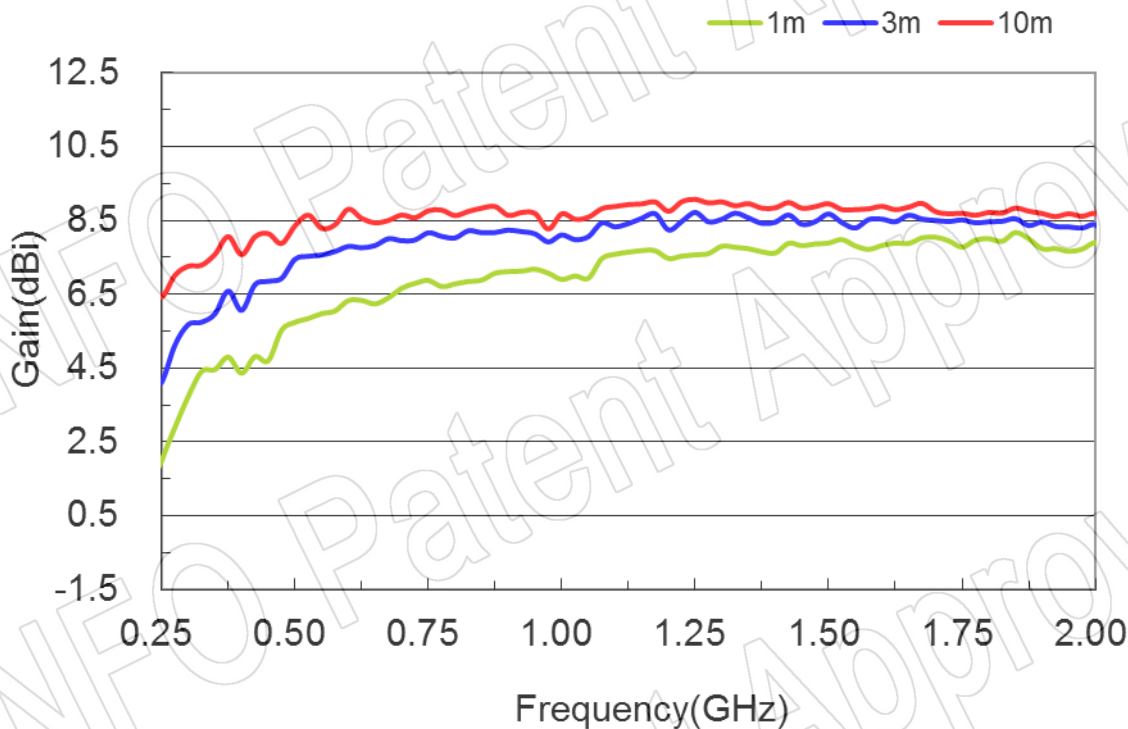


DS-25200-H with Mounting Bracket for Tripod Application (Option, P/N: DS-25200-H-MBA)

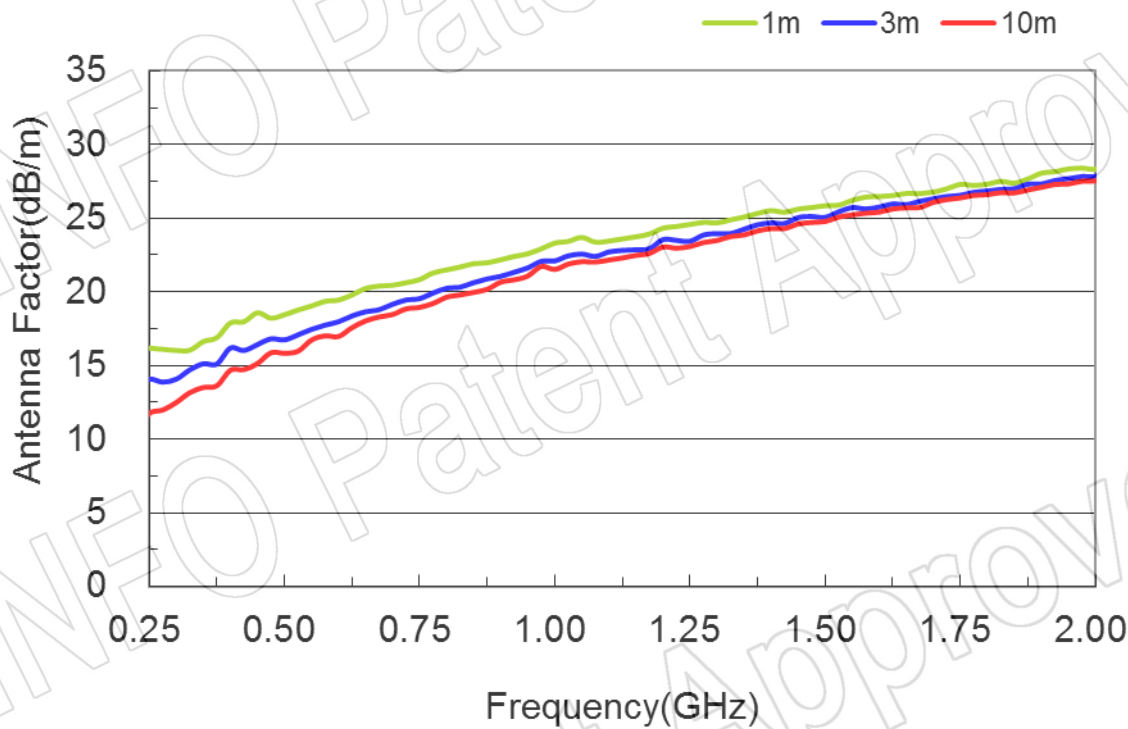


Test Results

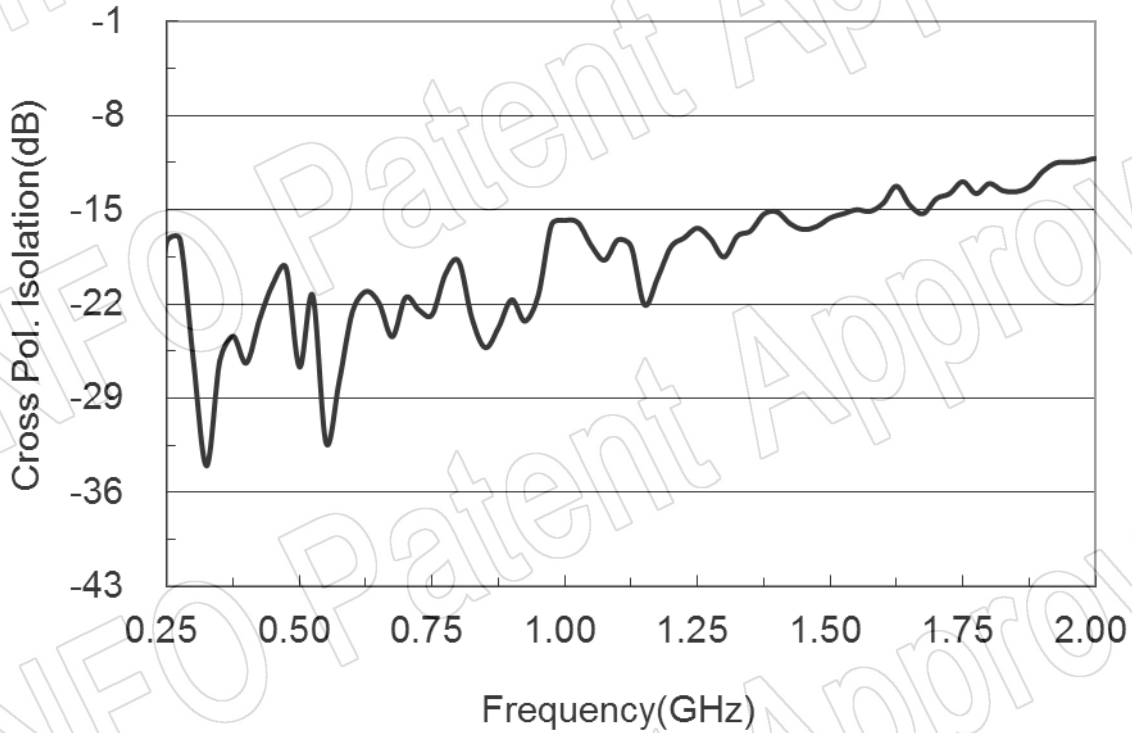
1. Gain



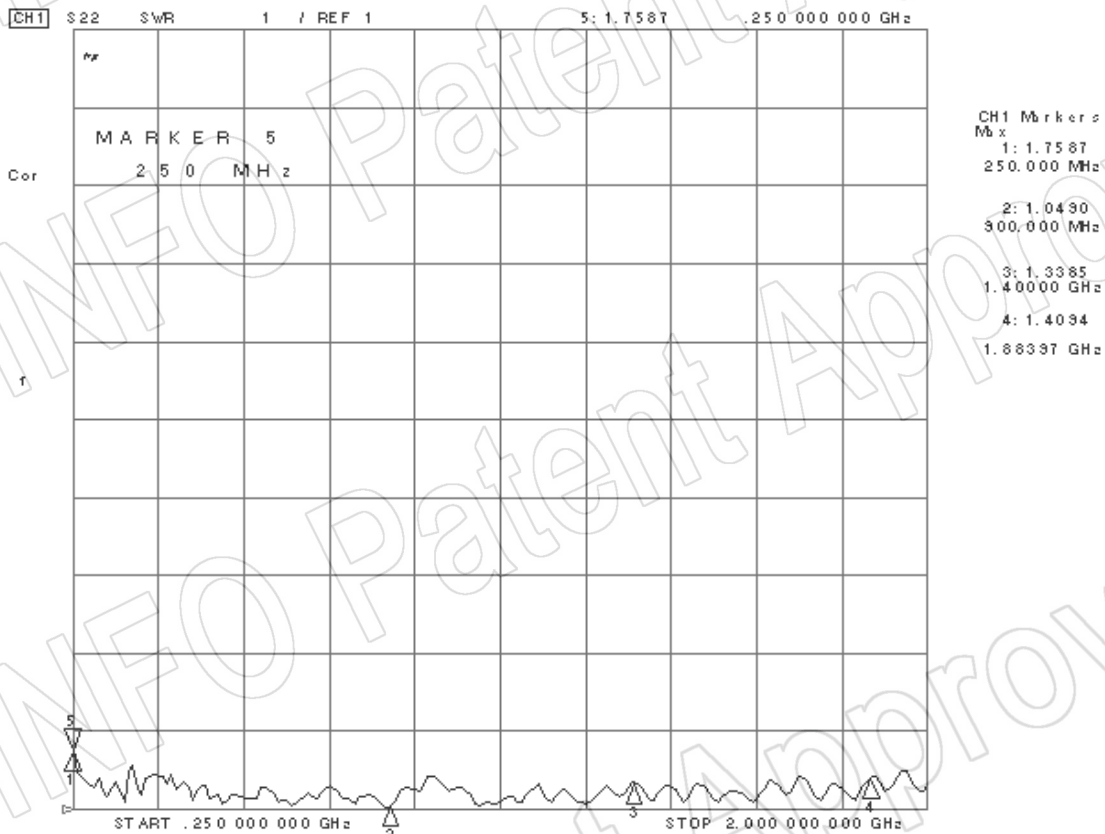
2. Antenna Factor



3. Cross Polarization Isolation



4. VSWR



5. Pattern

