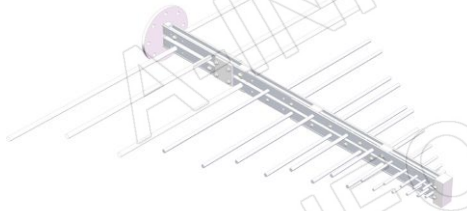


Technical Specification



| <i>P/N:DS-25100</i> | |
|----------------------|-------------------------|
| Frequency Range(GHz) | 0.25 - 1.0 |
| Gain(dBi) | 6 Typ. |
| Polarization | Linear |
| 3dB Beamwidth(deg) | E Plane: 79 - 51 |
| | H Plane: 145 - 104 |
| VSWR | 1.5:1 Typ. / 2.0:1 Max. |
| Output | N-Female |
| Average Power(W CW) | 300 |
| Peak Power(KW) | 3 |
| Material | Al |
| Size(mm) | 739 x 52 x 649 |
| Net Weight(Kg) | 0.80 Around |



| <i>P/N:DS-25100C</i> | |
|----------------------|-------------------------|
| Frequency Range(GHz) | 0.25 - 1.0 |
| Gain(dBi) | 6 Typ. |
| Polarization | Linear |
| 3dB Beamwidth(deg) | E Plane: 79 - 51 |
| | H Plane: 145 - 104 |
| VSWR | 1.5:1 Typ. / 2.0:1 Max. |
| Output | N-Female |
| Average Power(W CW) | 300 |
| Peak Power(KW) | 3 |
| Material | Al |
| Size(mm) | 739 x 100 x 641 |
| Net Weight(Kg) | 0.90 Around |



| <i>P/N:DS-25100E</i> | |
|----------------------|-------------------------|
| Frequency Range(GHz) | 0.25 - 1.0 |
| Gain(dBi) | 6 Typ. |
| Polarization | Linear |
| 3dB Beamwidth(deg) | E Plane: 79 - 51 |
| | H Plane: 145 - 104 |
| VSWR | 1.5:1 Typ. / 2.0:1 Max. |
| Output | N-Female |
| Average Power(W CW) | 300 |
| Peak Power(KW) | 3 |
| Material | Al |
| Size(mm) | 739 x 52 x 883 |
| Net Weight(Kg) | 1.25 Around |

AINFO Inc.

Page 1 of 7

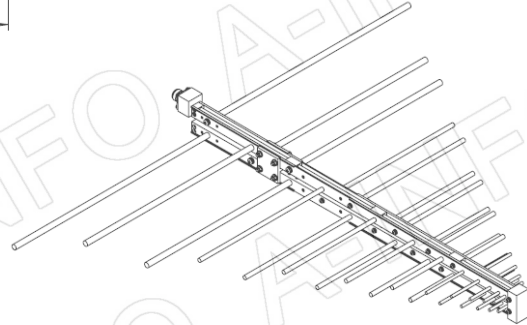
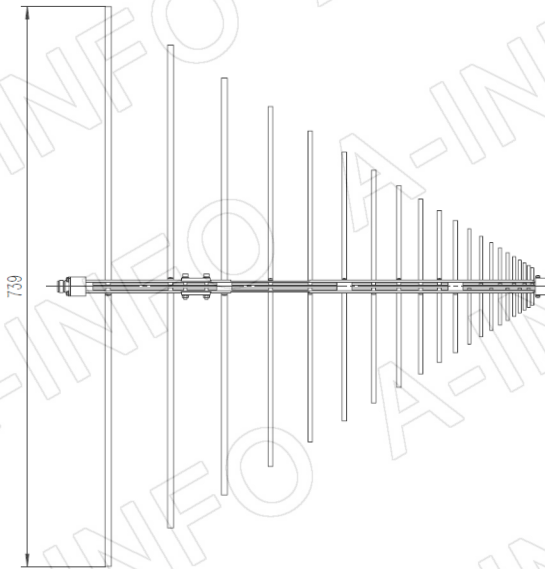
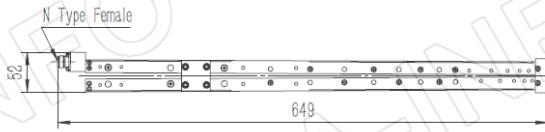
China(Beijing): Tel: (+86) 10-6266-7326,
China(Chengdu): Tel: (+86) 28-8519-2786,
USA: Tel: (+1) 949-639-9688,

(+86) 10-6266-7327 Fax: (+86) 10-6266-7379
(+86) 28-8519-3044 Fax: (+86) 28-8519-3068
(+1) 949-639-9608 Fax: (+1) 949-639-9670

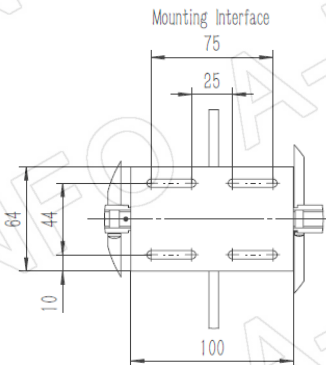
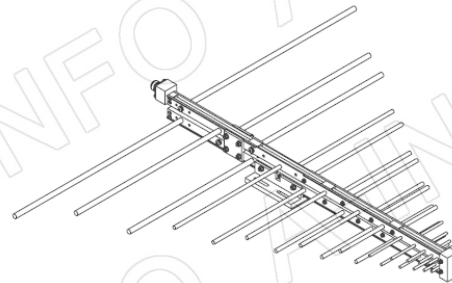
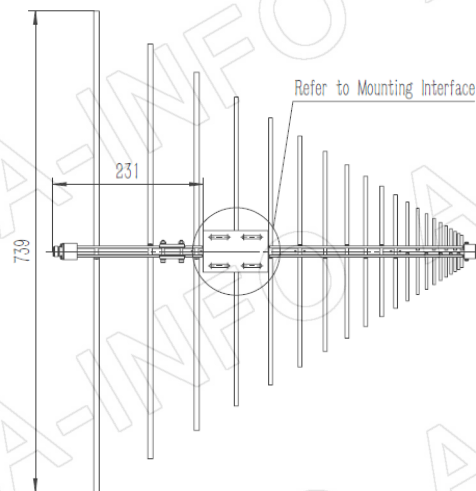
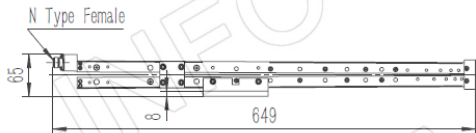
Website: www.ainfoinc.com
Email: sales@ainfoinc.com

Outline Drawing (Size: mm)

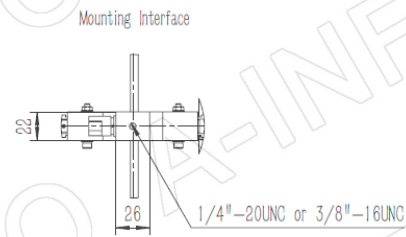
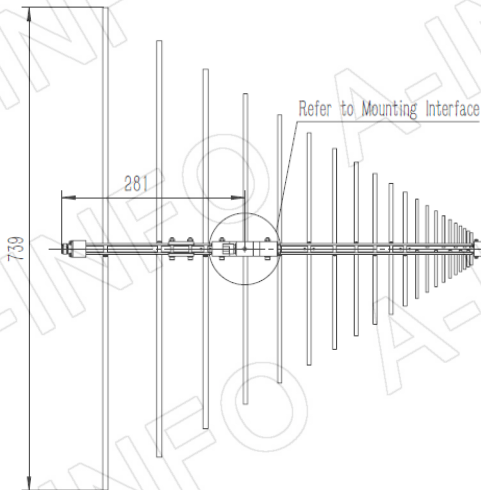
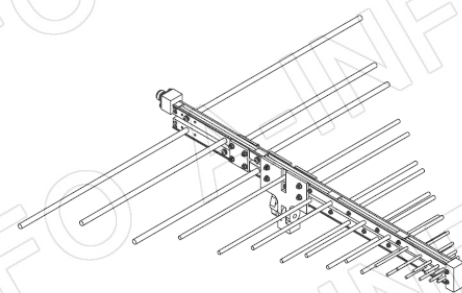
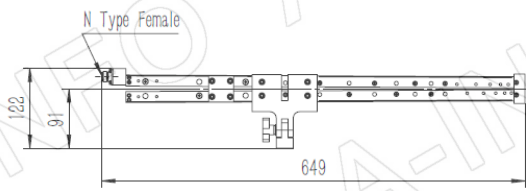
DS-25100 (P/N: DS-25100)



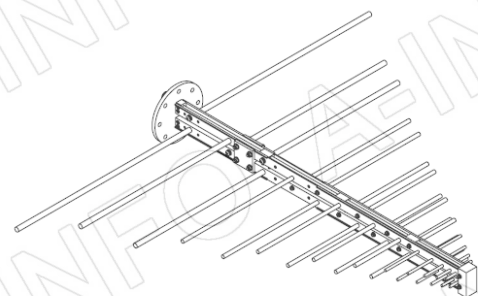
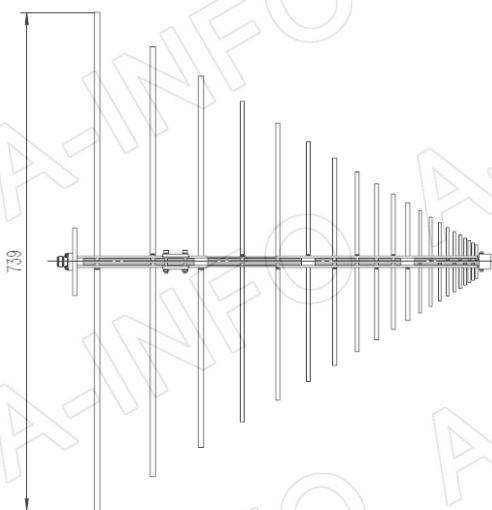
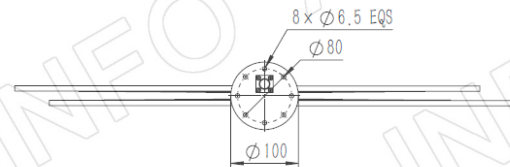
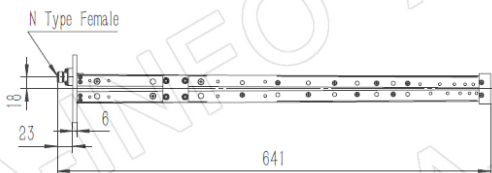
DS-25100 with Mounting Bracket (Option, P/N: DS-20200-MB)



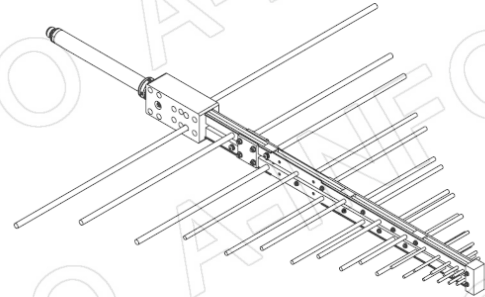
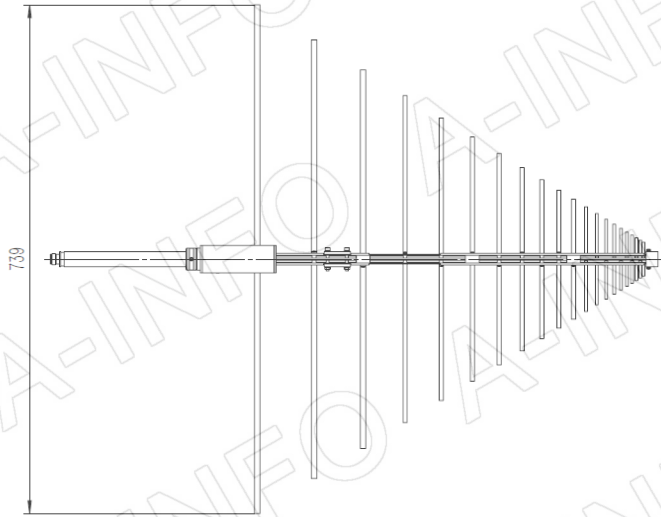
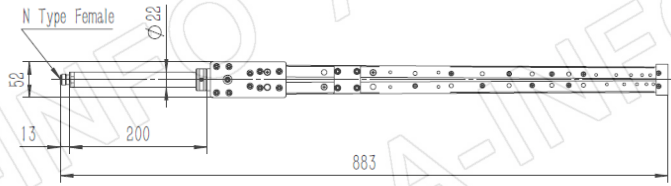
DS-25100 with Mounting Bracket for Tripod Application (Option, P/N: DS-20200-MBA)



DS-25100C (P/N: DS-25100C)

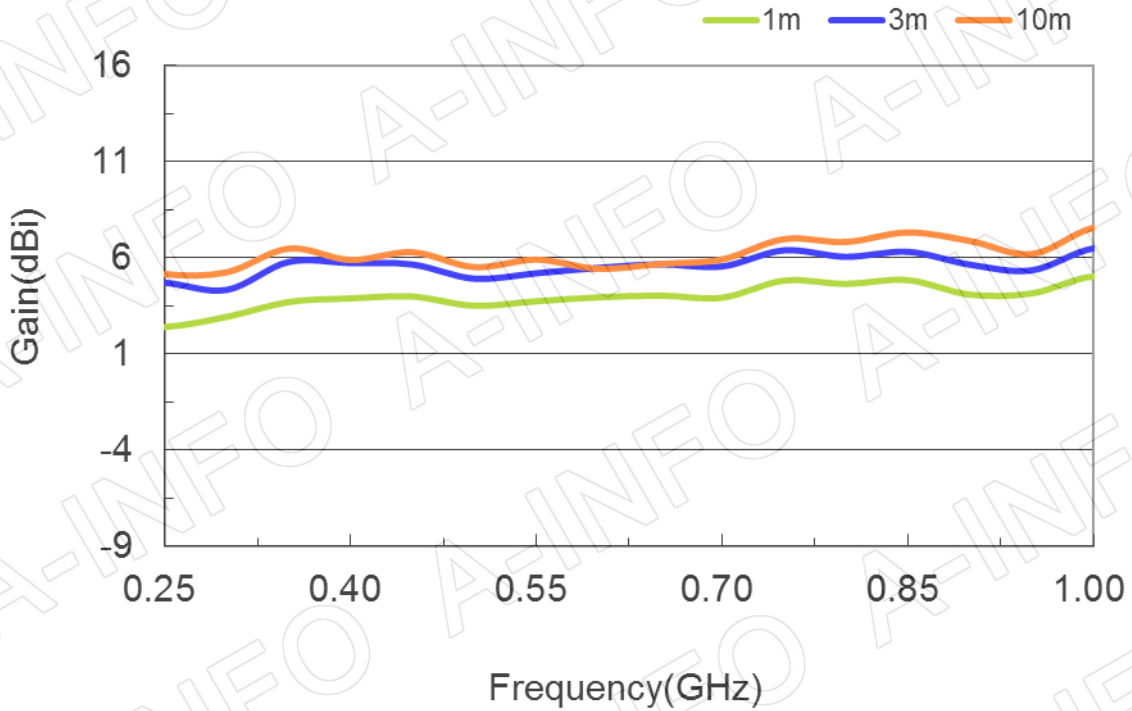


DS-25100E (P/N: DS-25100E)

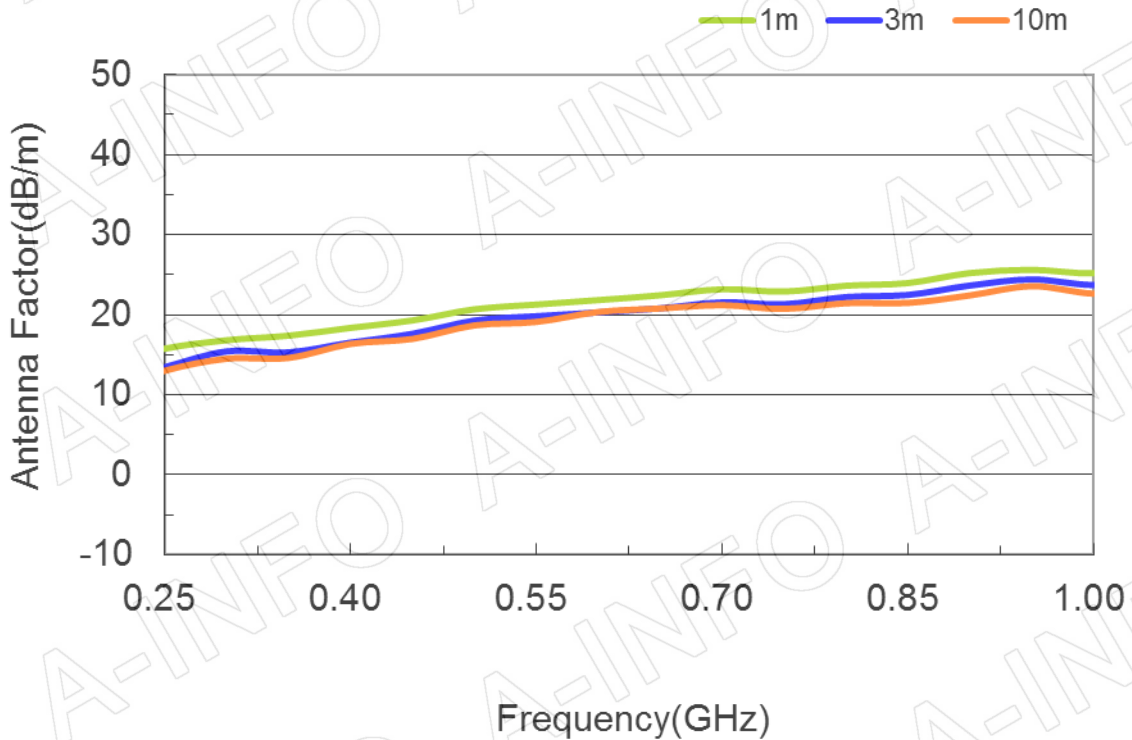


Test Results

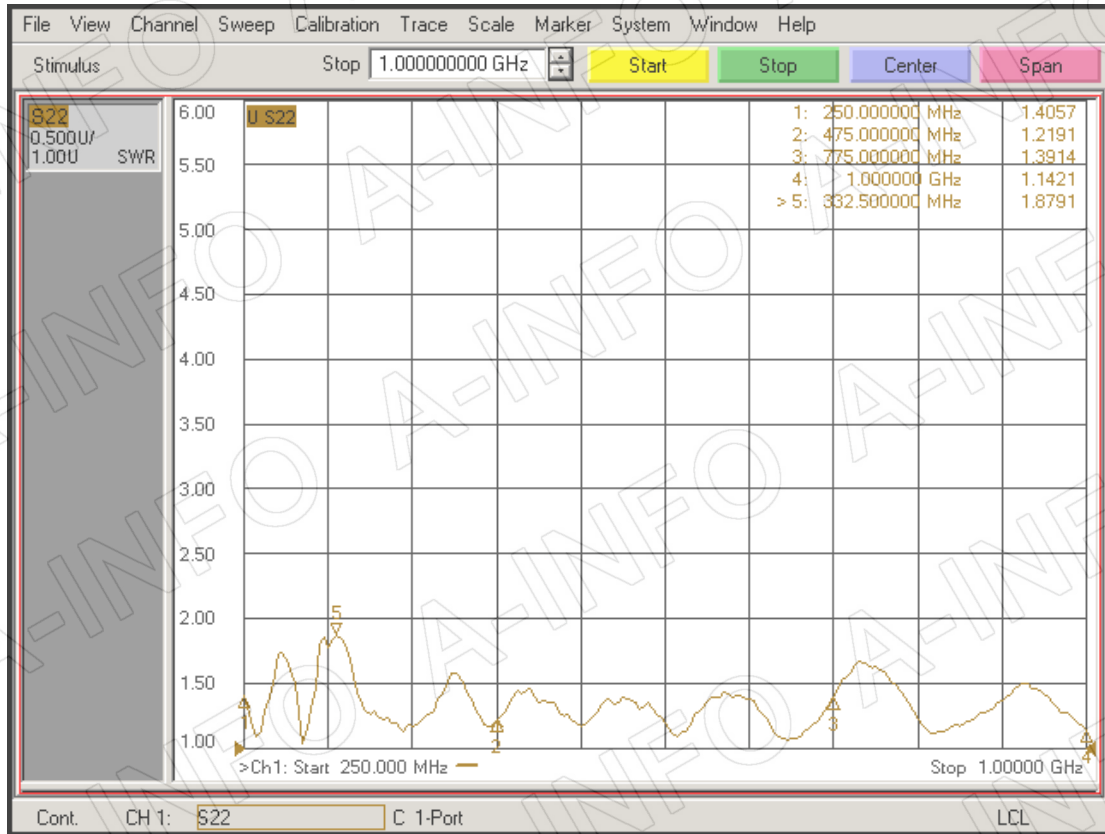
1. Gain



2. Antenna Factor



3. VSWR



4. Pattern

