



VN1600 Interface Family Manual

Version 5.3 | English

Imprint

Vector Informatik GmbH
Ingersheimer Straße 24
D-70499 Stuttgart

The information and data given in this user manual can be changed without prior notice. No part of this manual may be reproduced in any form or by any means without the written permission of the publisher, regardless of which method or which instruments, electronic or mechanical, are used. All technical information, drafts, etc. are liable to law of copyright protection.

© Copyright 2023, Vector Informatik GmbH. All rights reserved.

Contents

1 Introduction	6
1.1 About this User Manual	7
1.1.1 Warranty	8
1.1.2 Registered Trademarks	8
1.2 Important Notes	9
2 VN1600 Interface Family	10
2.1 Introduction	11
2.2 VN1610	12
2.2.1 Main Features	12
2.2.2 Connectors	12
2.2.3 Pin Assignment CH1 and CH2	13
2.2.4 Technical Data	13
2.2.5 Accessories	14
2.3 VN1611	15
2.3.1 Main Features	15
2.3.2 Connectors	15
2.3.3 Pin Assignment CH1 and CH2	16
2.3.4 Technical Data	17
2.3.5 Accessories	18
2.4 VN1630A	19
2.4.1 Scope of Delivery	19
2.4.2 Main Features	19
2.4.3 Connectors Bus Side	20
2.4.4 Connectors USB Side	20
2.4.5 LEDs	21
2.4.6 Bus Configuration	22
2.4.7 Pin Assignment CH1/3 and CH2/4	25
2.4.8 Pin Assignment CH5	28
2.4.9 Replacing Piggybacks	30
2.4.10 Technical Data	33
2.4.11 USB Protector Type 1	34
2.4.12 Accessories	35
2.5 VN1630 log	36
2.5.1 Main Features	36
2.5.2 Connectors Bus Side	37
2.5.3 Connectors USB Side	38
2.5.4 LEDs	40
2.5.5 Bus Configuration	42

2.5.6 Pin Assignment CH1/3 and CH2/4	45
2.5.7 Pin Assignment CH5	48
2.5.8 Replacing Piggybacks	50
2.5.9 SD/SDHC Memory Cards	53
2.5.10 Ring Buffer in RAM	53
2.5.11 Real Time Clock	53
2.5.12 Battery	53
2.5.13 Beep	53
2.5.14 Technical Data	54
2.5.15 Accessories	56
2.6 VN1640A	57
2.6.1 Scope of Delivery	57
2.6.2 Main Features	57
2.6.3 Connectors Bus Side	58
2.6.4 Connectors USB Side	58
2.6.5 LEDs	59
2.6.6 Bus Configuration	60
2.6.7 Pin Assignment CH1...CH4	62
2.6.8 Pin Assignment CH5	63
2.6.9 Replacing Piggybacks	65
2.6.10 Technical Data	68
2.6.11 USB Protector Type 1	69
2.6.12 Accessories	70
2.7 VN1670	71
2.7.1 Scope of Delivery	71
2.7.2 Main Features	71
2.7.3 Connectors Front Side	73
2.7.4 Connectors Back Side	75
2.7.5 LEDs	77
2.7.6 Bus Configuration	80
2.7.7 Replacing Piggybacks	82
2.7.8 Device Stacking	85
2.7.9 Standby Operation	86
2.7.10 Technical Data	87
2.7.11 Electrical Isolation	89
2.7.12 Accessories	91
3 Getting Started	92
3.1 Driver Installation	93
3.1.1 General Information	93
3.1.2 Installation Instructions	93

3.2	Vector Hardware Manager	95
3.2.1	Hardware Configuration	95
3.2.2	Tool Location and Help	95
3.2.3	For VN1630 log Users	96
3.3	Loop Tests	97
3.3.1	CAN	98
4	Time Synchronization	100
4.1	General Information	101
4.2	Software Sync	103
4.2.1	General Information	103
4.2.2	Configuration	103
4.3	Hardware Sync	104
4.3.1	General Information	104
4.3.2	Configuration	105
4.4	Precision Time Protocol Sync	106
4.4.1	General Information	106
4.4.2	Supported Features	106
4.4.3	Network Topology	107
4.4.4	Configuration	107
5	Important Notes - Details	108
5.1	Safety Instructions and Hazard Warnings	109
5.1.1	Proper Use and Intended Purpose	109
5.1.2	Hazards	110
5.2	Disclaimer	111
5.3	Licenses	112
5.3.1	SEGGER emFile Module	112
5.4	Disposal of Vector Hardware	113
6	Wichtige Hinweise	114
6.1	Sicherheits- und Gefahrenhinweise	115
6.1.1	Sach- und bestimmungsgemäßer Gebrauch	115
6.1.2	Gefahren	116
6.2	Haftungsausschluss	117
6.3	Lizenzen	118
6.3.1	SEGGER emFile Modul	118
6.4	Entsorgung von Vector Hardware	119

1 Introduction

In this chapter you find the following information:









1.1 About this User Manual	7
1.1.1 Warranty	8
1.1.2 Registered Trademarks	8
1.2 Important Notes	9

1.1 About this User Manual

Conventions

In the two following charts you will find the conventions used in the user manual regarding utilized spellings and symbols.

Style	Utilization
bold	Blocks, surface elements, window- and dialog names of the software. Accentuation of warnings and advices. [OK] Push buttons in brackets File Save Notation for menus and menu entries
Source Code	File name and source code.
Hyperlink	Hyperlinks and references.
<CTRL>+<S>	Notation for shortcuts.

Symbol	Utilization
	This symbol calls your attention to warnings.
	Warning of damages by electrostatic discharge (ESD = Electrostatically Sensitive Device).
	Here you can obtain supplemental information.
	Here you can find additional information.
	Here is an example that has been prepared for you.
	Step-by-step instructions provide assistance at these points.
	Instructions on editing files are found at these points.
	This symbol warns you not to edit the specified file.

1.1.1 Warranty

Restriction of warranty

We reserve the right to change the contents of the documentation and the software without notice. Vector Informatik GmbH assumes no liability for correct contents or damages which are resulted from the usage of the documentation. We are grateful for references to mistakes or for suggestions for improvement to be able to offer you even more efficient products in the future.

1.1.2 Registered Trademarks

Registered trademarks

All trademarks mentioned in this documentation and if necessary third party registered are absolutely subject to the conditions of each valid label right and the rights of particular registered proprietor. All trademarks, trade names or company names are or can be trademarks or registered trademarks of their particular proprietors. All rights which are not expressly allowed are reserved. If an explicit label of trademarks, which are used in this documentation, fails, should not mean that a name is free of third party rights.

- ▶ Windows, Windows 7, Windows 8.1, Windows 10, Windows 11 are trademarks of the Microsoft Corporation.

- ▶  and  are trademarks of the SD Card Association.

1.2 Important Notes



Caution!

We provide our important notes and safety instructions in several languages, including English (EN) and German (DE). For more details, see the relevant section:

- ▶ EN: [Important Notes - Details](#)
- ▶ DE: [Wichtige Hinweise](#)

2 VN1600 Interface Family

In this chapter you find the following information:

2.1 Introduction	11
2.2 VN1610	12
2.3 VN1611	15
2.4 VN1630A	19
2.5 VN1630 log	36
2.6 VN1640A	57
2.7 VN1670	71

2.1 Introduction

General information

The VN1600 interface family is a flexible and cost-efficient solution for CAN/CAN FD, LIN, K-Line, J1708 and SENT (only VN1640A) applications. An excellent performance with minimal latency times and high time stamp accuracy is also guaranteed.

The multi-application functionality of the VN1600 interface family supports simultaneous operation of different applications on one channel, e. g. CANoe and CANape. Tasks range from simple bus analyses to complex remaining bus simulations also diagnostic, calibration and reprogramming tasks as well as LIN 2.1 compliance tests. You can also program your own applications using the XL Driver Library.

Bus types

Depending on the VN1600 interface, built-in transceivers as well as exchangeable CAN/LIN and J1708 transceivers can be used. The exchangeable transceivers are available as plug-in boards (piggybacks) and are inserted in the VN1600. A list of compatible piggybacks can be found in the [accessories manual](#) or on our [website](#).

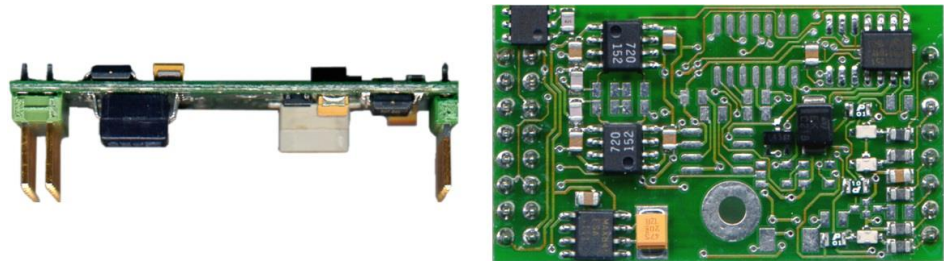


Figure 1: Piggyback

2.2 VN1610

2.2.1 Main Features

VN1610 features

The main features of the VN1610 interface are:

- ▶ 2x CAN high-speed 1051cap transceiver (capacitively decoupled)
- ▶ Software sync



Figure 2: VN1610 CAN Interface

2.2.2 Connectors

▶ D-SUB9 (CH1/2)

The VN1610 has a D-SUB9 connector with two CAN channels. Further information on the pin assignment for CH1/CH2 can be found in section [Pin Assignment CH1 and CH2](#) on page 13.

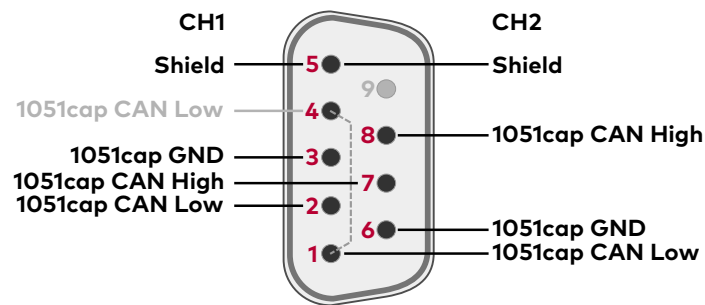
▶ USB

Connect your computer and the VN1610 via USB to install and to use the device with measurement applications (e. g. CANoe, CANalyzer).

2.2.3 Pin Assignment CH1 and CH2

D-SUB9 connector The pin assignment of the D-SUB9 connector (CH1 and CH2) is as follows:

CH1/CH2



CAN Y cable

Use the CANcable 2Y to access both channels on separate D-SUB9 connectors (see accessories manual, part number 05075).

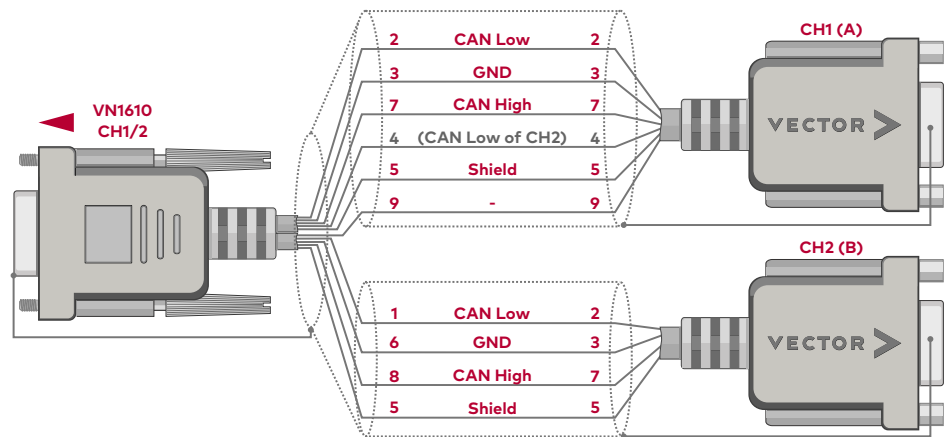


Figure 3: CANcable 2Y connected to VN1610

2.2.4 Technical Data

CAN channels	2x CAN high-speed 1051cap Bitrates - CAN: up to 1 Mbit/s (up to 2 Mbit/s depending on wiring and transceivers) - CAN FD: up to 5 Mbit/s (up to 8 Mbit/s depending on wiring and transceivers)
Time stamps	Accuracy (within one device): 1 µs Accuracy software sync: typ. 50 µs
Temperature range	Operating: -40 °C...+70 °C Shipping and storage: -40 °C...+85 °C
Relative humidity of ambient air	15 %...95 %, non-condensing
Dimensions (LxWxH)	65 mm x 42 mm x 20 mm
Weight	80 g
Operating system requirements	Windows 10 (x64, 64 bit) Windows 11 (x64, 64 bit)

2.2.5 Accessories



Reference

Information on available accessories can be found in the separate accessories manual on our website.

Cables and connectors

- ▶ CANcable0
- ▶ CANcable1
- ▶ CANcableA
- ▶ CANcable Y
- ▶ CANcable 2Y
- ▶ CANterm 120
- ▶ CANcable Set Pro

2.3 VN1611

2.3.1 Main Features

VN1611 features

The main features of the VN1611 interface are:

- ▶ 1x LIN 7269cap transceiver (capacitively decoupled)
- ▶ 1x CAN high-speed 1051cap transceiver (capacitively decoupled)
- ▶ Software sync



Figure 4: VN1611 LIN/CAN Interface



Note

The VN1611 does not support LIN2.1 compliance tests. Please use the VN1630A or the VN1640A for these purposes.

2.3.2 Connectors

▶ D-SUB9 (CH1/2)

The VN1611 has a D-SUB9 connector with one LIN and one CAN channel. Further information on the pin assignment for CH1/CH2 can be found in section [Pin Assignment CH1 and CH2](#) on page 16.

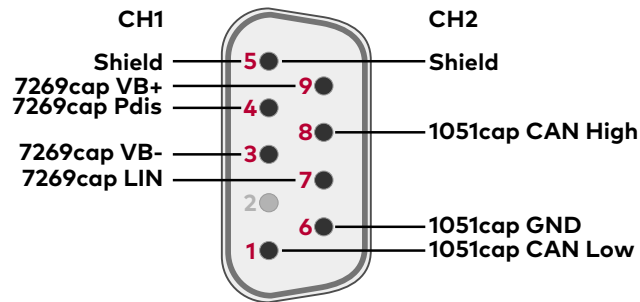
▶ USB

Connect your computer and the VN1611 via USB to install and to use the device with measurement applications (e. g. CANoe, CANalyzer).

2.3.3 Pin Assignment CH1 and CH2

D-SUB9 connector The pin assignment of the D-SUB9 connector (CH1 and CH2) is as follows:

CH1/CH2



Pdis: power disable



Note

Please note that pin 3 (VB-) is the reference potential for pin 7 (7269cap LIN). So pin 3 could also be called „7269cap GND“. It is electrically isolated from pin 6 (1051cap GND).

CAN/LIN Y cable

Use the CANcable 2Y to access both channels on separate D-SUB9 connectors (see accessories manual, part number 05075).

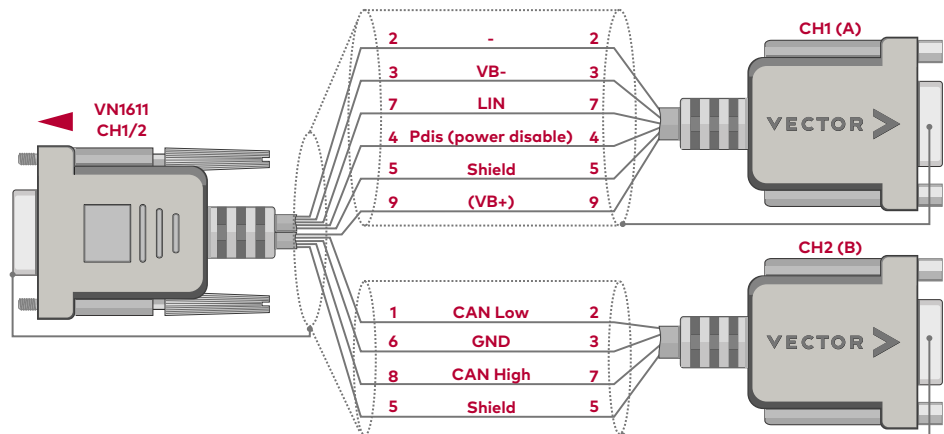


Figure 5: CANcable 2Y connected to VN1611



Note

If pin 4 (Pdis) is connected to pin 3 (VB-), the internal power supply is disabled. In this case an external power supply is required at pin 9 (VB+).

2.3.4 Technical Data

CAN channels	1x CAN high-speed 1051cap Bitrates <ul style="list-style-type: none"> - CAN: up to 1 Mbit/s (up to 2 Mbit/s depending on wiring and transceivers) - CAN FD: up to 5 Mbit/s (up to 8 Mbit/s depending on wiring and transceivers)
LIN channels	1x LIN 7269cap Bitrates <ul style="list-style-type: none"> - Normal-Mode: up to 20 kBit/s - Flash-Mode: up to 115.2 kBit/s (depending on wiring higher bitrates are possible) Ext. supply voltage (between pin 7269cap VB- and 7269cap VB+): max. 36 V DC.
K-Line channels	1
Time stamps	Accuracy (within one device): 1 μ s Accuracy software sync: typ. 50 μ s
Temperature range	Operating: -40 °C...+70 °C Shipping and storage: -40 °C...+85 °C
Relative humidity of ambient air	15 %...95 %, non-condensing
Dimensions (LxWxH)	65 mm x 42 mm x 20 mm
Weight	80 g
Operating system requirements	Windows 10 (x64, 64 bit) Windows 11 (x64, 64 bit)

2.3.5 Accessories



Reference

Information on available accessories can be found in the separate accessories manual on our website.

Cables and connectors

- ▶ CANcable0
- ▶ CANcable1
- ▶ CANcableA
- ▶ CANcable Y
- ▶ CANcable 2Y
- ▶ CANterm 120
- ▶ CANcable Set Pro

2.4 VN1630A

2.4.1 Scope of Delivery

Contents

The delivery includes:

- ▶ VN1630A CAN/LIN Interface
- ▶ USB2.0 cable (part number 05011)
- ▶ USB Protector Type 1 (part number 05142, see page 69)

2.4.2 Main Features

VN1630A features

The main features of the VN1630A interface are:

- ▶ 2x CAN high-speed 1051cap transceiver (capacitively decoupled)
- ▶ 2x additional plug-in location for CAN-/LINpiggies
- ▶ Fifth channel for dedicated digital-analog input/output tasks
- ▶ Five LEDs indicating bus activities and status
- ▶ Software sync
- ▶ Hardware sync (via SYNCcableXL)



Figure 6: VN1630A CAN/LIN Interface

2.4.3 Connectors Bus Side

Device connectors

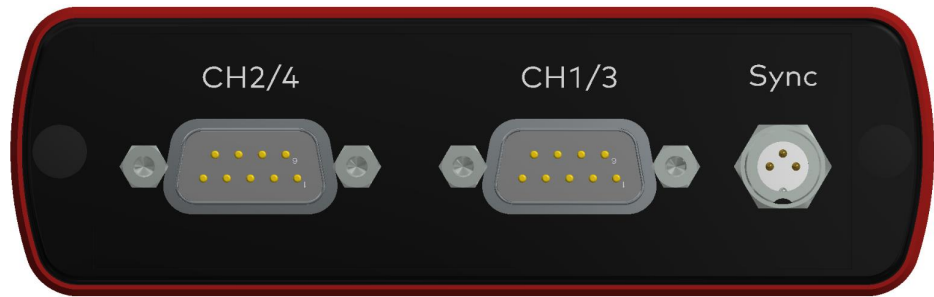


Figure 7: VN1630A with D-SUB9 connectors and sync

► **Binder connector (Sync)**

This connector (Binder type 711) can be used for time synchronization of different Vector devices (see section [Time Synchronization](#) on page 100). **The sync connector is not intended to connect a power supply.**

Pin	Assignment
1	Not connected
2	Synchronization line
3	Ground



► **D-SUB9 (CH1/3 and CH2/4)**

The VN1630A has two D-SUB9 connectors, each with up to two channels (CAN/CAN or LIN/CAN). Further information on the pin assignment for CH1/CH3 and CH2/CH4 can be found in section [Pin Assignment CH1/3 and CH2/4](#) on page 25.

2.4.4 Connectors USB Side

Device connectors

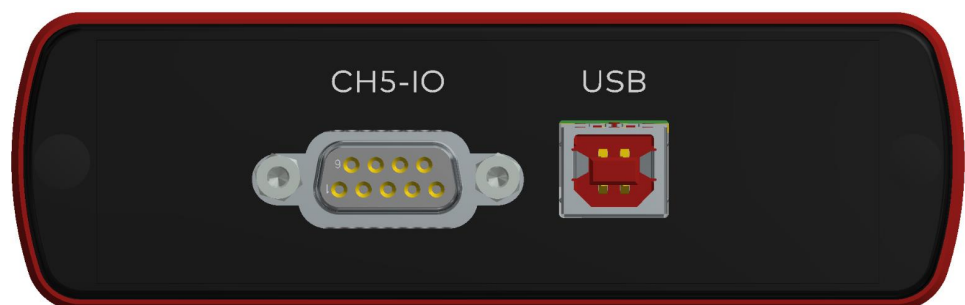


Figure 8: VN1630A with D-SUB9 connector and USB

► **USB**

Connect your computer and the VN1630A via USB to install and to use the device with measurement applications (e. g. CANoe, CANalyzer). Use the USB2.0 compliant cable found in the delivery (USB extension cables may generate faults between the computer and the device). Connect the device directly to USB at your computer or use a USB hub with its own power supply (self-powered). Depending on the used piggyback, the VN1630A requires the entire USB current (500 mA) which cannot be provided by a bus-powered USB hub.

► **D-SUB9 (CH5)**

The VN1630A has a D-SUB9 connector (CH5) for dedicated digital-analog input/output tasks. The pin assignment can be found in section [Pin Assignment CH5](#) on page 28.

2.4.5 LEDs

Description

The VN1630A has five LEDs indicating bus activities and status:

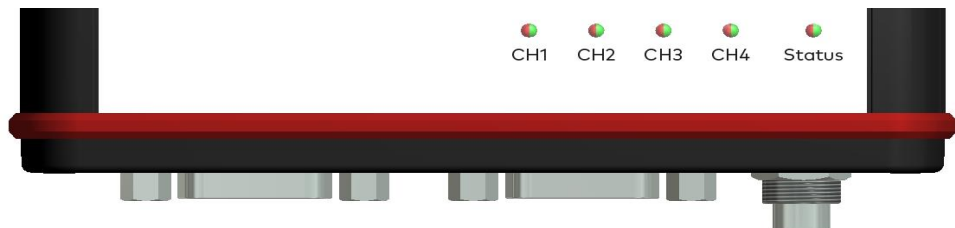


Figure 9: LEDs of the VN1630A

► **CH1 ... CH4 (with CAN-/LINpiggies)**

Multicolored channel LEDs, each indicating the bus activity for CAN, LIN or K-Line.

Color	Description
Green	Data frames have been sent or received correctly.
Orange	CAN: Error frames have been sent or received. LIN/K-Line: Protocol errors as well as valid messages on the bus.
Red	CAN: Bus off. LIN/K-Line: Protocol errors on the bus.

CAN: The flashing frequency depends on the bus load.

► **Status**

Multicolored LED that indicates the status of the device.

Color	Description
Green	Device is ready for operation/running measurement.
Orange	Initializing driver. Please wait.
Red	Error. Device not working.

2.4.6 Bus Configuration

Piggybacks for CH1 and CH2

The VN1630A has two piggyback plug-in locations (primary channels CH1 and CH2). Depending on requirements, electrically decoupled CAN High-Speed, CAN Low-Speed, CAN Single Wire, J1708 or LIN transceivers may be used. In addition, two electrically decoupled built-in CAN TJA1051 (high-speed) transceivers are available (secondary channels CH3 and CH4). CH5 is reserved for dedicated IO tasks.



Note

A list of compatible piggybacks can be found in the [accessories manual](#) or on our [website](#).

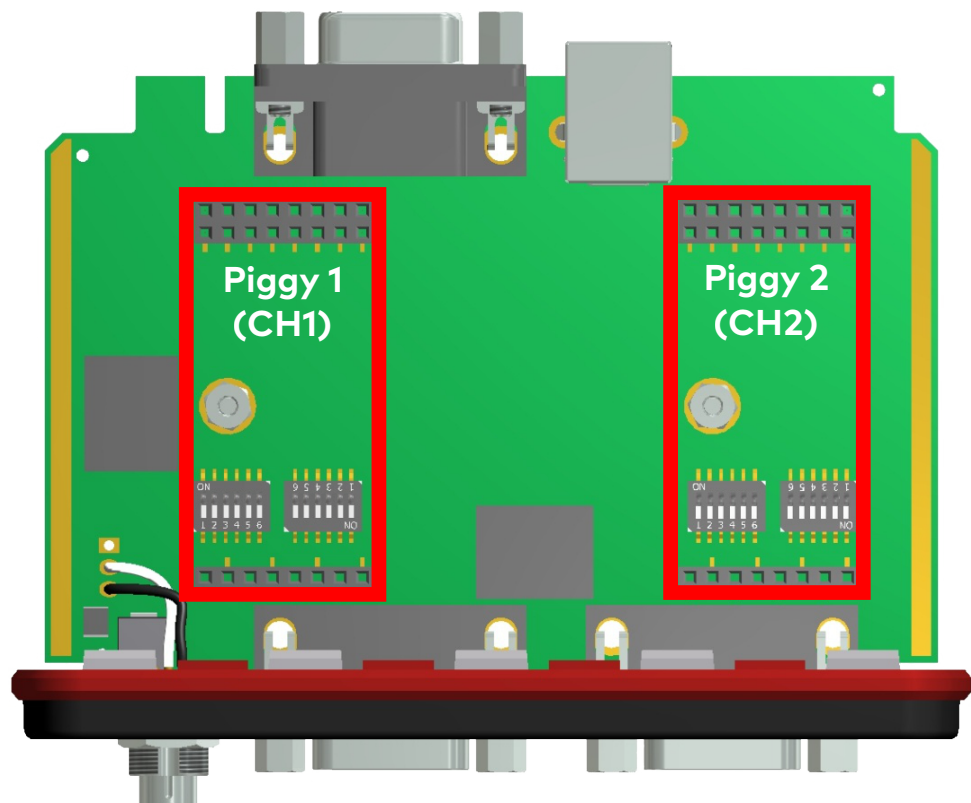


Figure 10: Piggyback plug-in locations for CH1 and CH2



Note

LINpiggybacks have to be inserted before CANpiggybacks (in ascending order). If you intend to use only one LINpiggyback, please use the first plug-in location (CH1). J1708 should be handled like CAN.


Each empty plug-in location is loaded with a built-in transceiver from the secondary channel according to the DIP switch settings.



Reference

Further information on DIP switches can be found in section [Pin Assignment CH1/3 and CH2/4](#) on page 25.




Piggyback order

Primary	CH1	CH2
Piggyback		
	or	or
	CAN2	CAN1
Secondary	CH3	CH4
Built-in Transceiver	CAN 1051cap	CAN 1051cap

Examples

The following tables show examples of possible configurations:




2x CAN without piggybacks
1x IO

	 CH1/CH3	 CH2/CH4	 CH5
Piggyback	-	-	-
Primary	CH1	CH2	CH5
	↑	↑	
Built-in Transceiver	CAN 1051cap	CAN 1051cap	
Secondary	CH3	CH4	

Configuration

CH1: no piggyback, built-in CAN 1051cap transceiver (CH3).
 CH3: not usable.
 CH2: no piggyback, built-in CAN 1051cap transceiver (CH4).
 CH4: not usable.
 CH5: on-board IO.




4x CAN
1x IO

	 CH1/CH3	 CH2/CH4	 CH5
Piggyback	CAN	CAN	-
Primary	CH1	CH2	CH5
	-	-	
Built-in Transceiver	CAN 1051cap	CAN 1051cap	
Secondary	CH3	CH4	

Configuration

CH1: CANpiggy.
 CH3: built-in CAN 1051cap transceiver.
 CH2: CANpiggy.
 CH4: built-in CAN 1051cap transceiver.
 CH5: on-board IO.

1x LIN
2x CAN
1x IO

	 CH1/CH3	 CH2/CH4	 CH5
Piggyback	LIN	-	-
Primary	CH1	CH2	CH5
	-	↑	
Built-in Transceiver	CAN 1051cap	CAN 1051cap	
Secondary	CH3	CH4	

Configuration

CH1: LINpiggy.

CH3: built-in CAN 1051cap transceiver.

CH2: no piggyback, built-in CAN 1051cap transceiver (CH4).

CH4: not usable.

CH5: on-board IO.

2.4.7 Pin Assignment CH1/3 and CH2/4

Double assignment of D-SUB9 connectors CH1 and CH2 Before installing a piggyback in the plug-in location (see section [Replacing Piggybacks](#) on page 30), the pin assignment of the D-SUB9 connector (CH1/CH3 and CH2/CH4) has to be selected via DIP switches, which can be found inside the device at the plug-in locations.

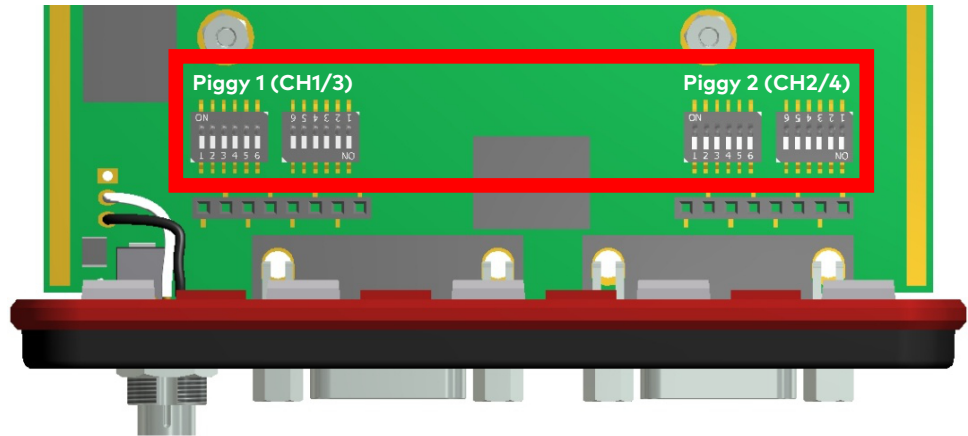


Figure 11: DIP switches (left: CH1/3, right: CH2/4)

Pin assignment CH1 ... CH4

The pin assignments of the D-SUB9 connectors depend on the used bus transceiver configuration inside the VN1630A. A list of compatible piggybacks can be found in the [accessories manual](#) or on our [website](#).

► **No piggyback inserted**

If no piggyback is inserted, only the built-in CAN transceiver at CH1 (CH2) is active (no double assignment of the D-SUB9 connector):

Pin	Assignment
1	Not connected
2	1051cap CAN Low
3	GND
4	Not connected
5	Shield
6	Not connected
7	1051cap CAN High
8	Not connected
9	Not connected

A: all ,OFF' / B: all ,ON'

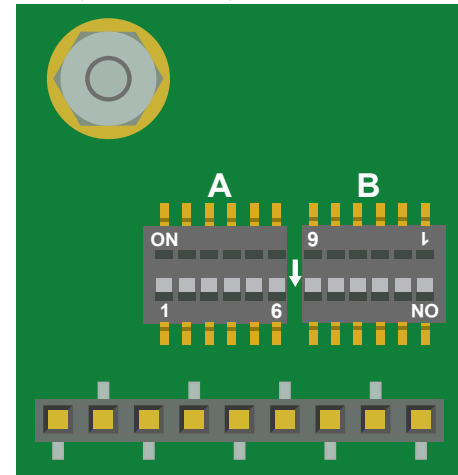


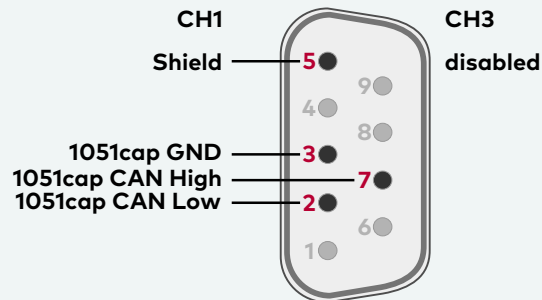
Figure 12: Configuration without piggyback



Example

No piggyback

The following example shows the pin assignment of CH1/CH3 if no piggyback is inserted in the plug-in location at channel 1.



▶ **CAN/LIN piggyback inserted**

If a CAN- or LINpiggy is inserted, the piggyback is assigned to CH1 (CH2) and the built-in CAN transceiver is assigned to CH3 (CH4):

Pin	Assignment
1	1051cap CAN Low
2	Piggyback-dependent
3	Piggyback-dependent
4	Piggyback-dependent
5	Shield
6	GND
7	Piggyback-dependent
8	1051cap CAN High
9	Piggyback-dependent

A: all ,ON' / B: all ,OFF'

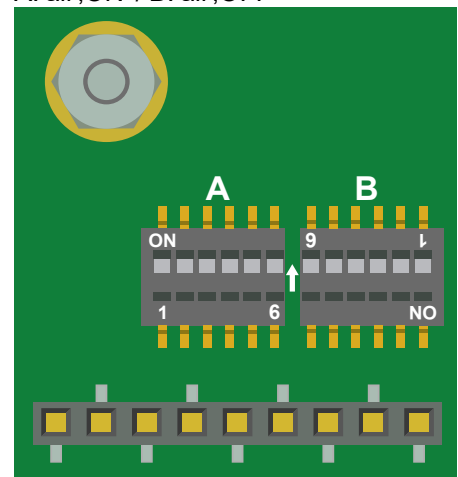


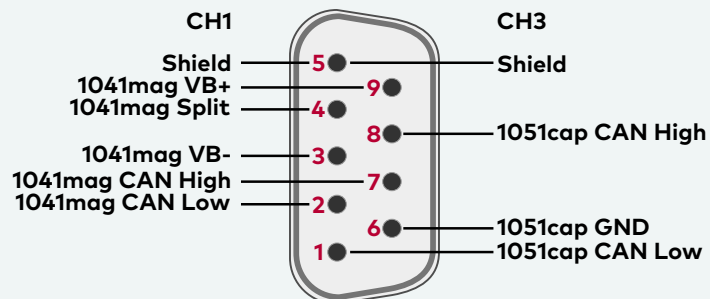
Figure 13: Configuration with piggyback



Example

CANpiggy 1041mag

The following example shows the pin assignment of CH1/CH3 if a CANpiggy 1041mag is inserted in the plug-in location at channel 1.





Note

The described pin assignment is also valid for CH2/CH4. A warning appears in the **Vector Hardware Manager** (page **Device Properties, Status** mode), if the DIP switch settings are improperly set. Check your DIP switch settings in this case.

CAN/LIN Y cable

Use the CANcable 2Y to access both channels on separate D-SUB9 connectors (see accessories manual, part number 05075). The pin assignments of the D-SUB9 connectors depend on the used bus transceiver configuration inside the VN1630A. A list of compatible piggybacks can be found in the accessories manual or on our website.

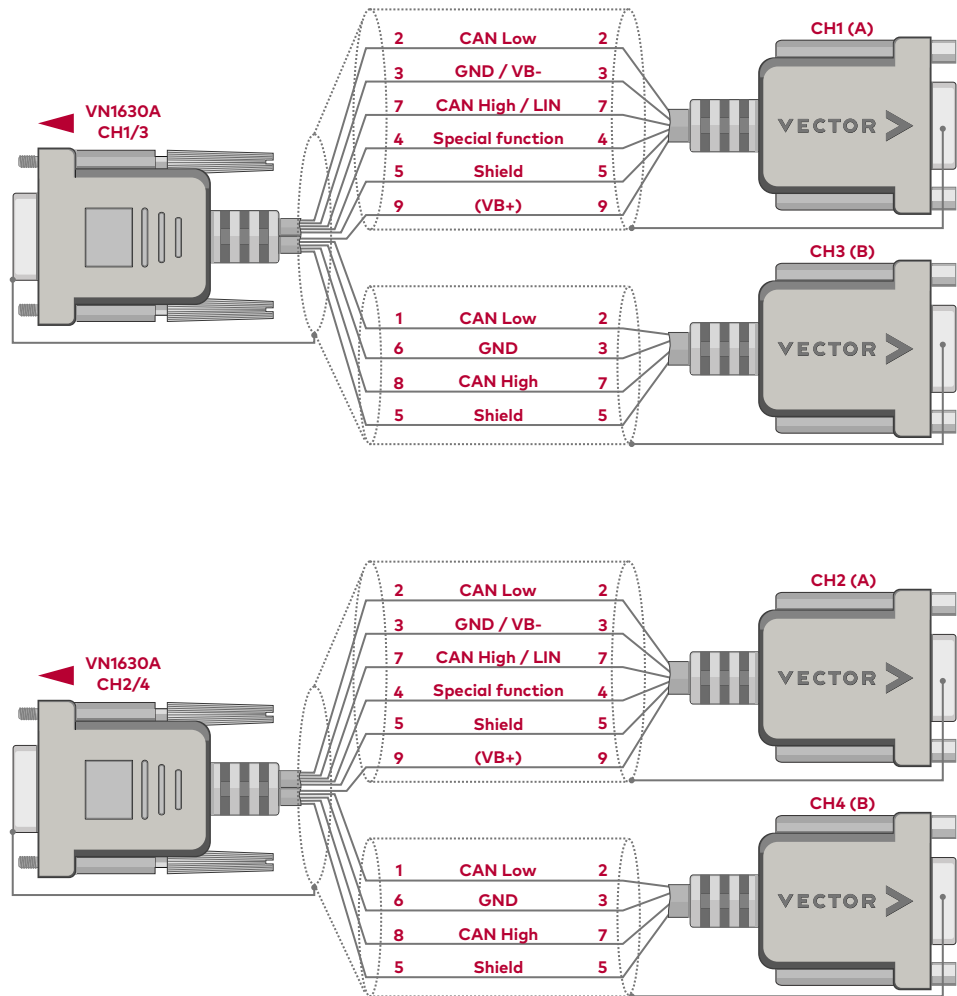


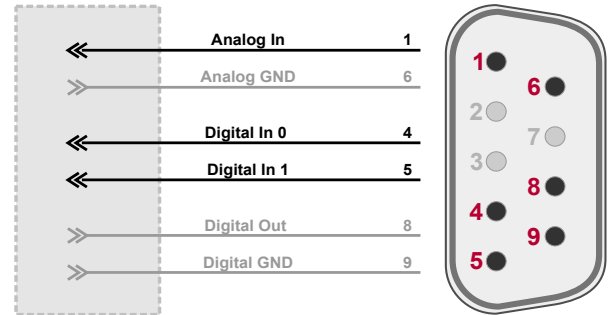
Figure 14: 2x CANcable 2Y connected to VN1630A

2.4.8 Pin Assignment CH5

Digital/analog IO

The pin assignment for CH5 is as follows:

Pin	Assignment
1	Analog input
2	Not connected
3	Not connected
4	Digital input 0
5	Digital input 1
6	Analog GND
7	Not connected
8	Digital output
9	Digital GND



Internal interconnection of digital input 0/1

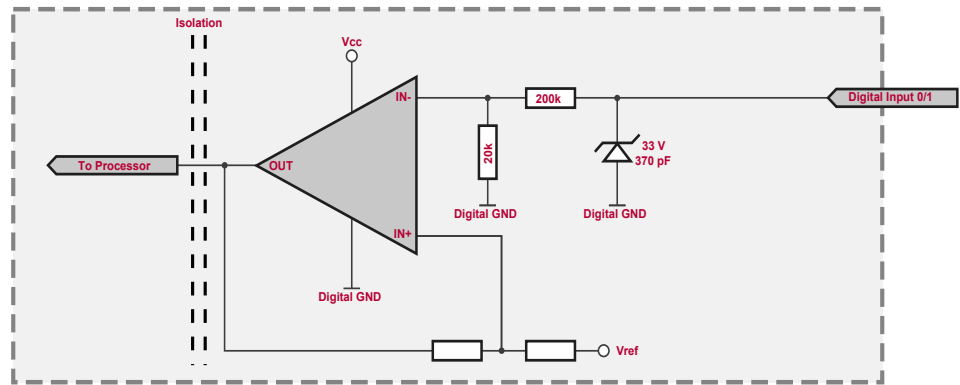


Figure 15: Digital input 0/1

Internal interconnection of digital output

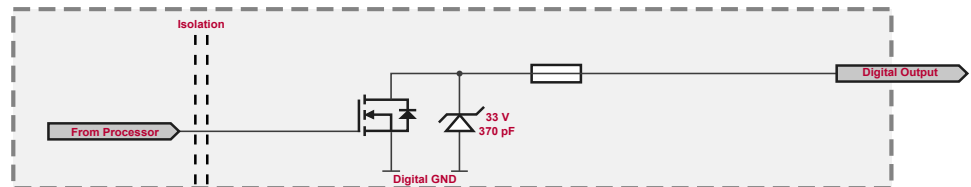


Figure 16: Digital output

Internal interconnection of analog input

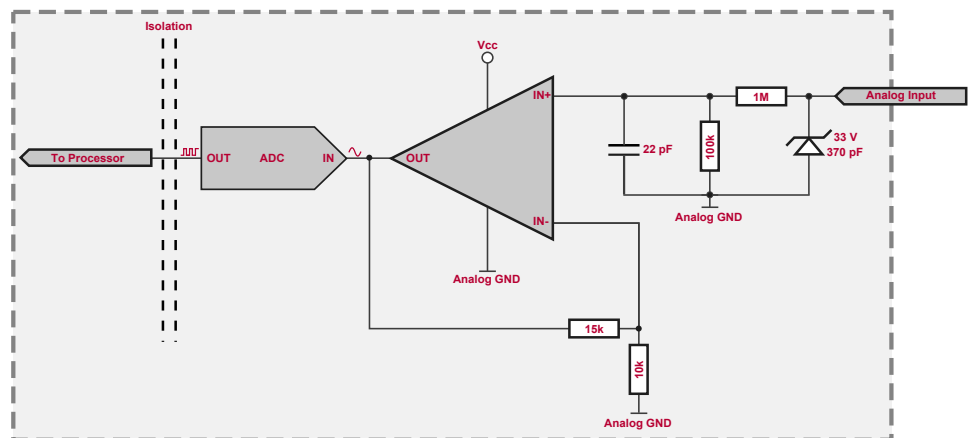


Figure 17: Analog input

Extended measuring range of the analog input

In normal operation, voltages up to 18 V can be applied and measured at the analog input. The cutoff frequency f_c (-3 dB) for AC voltages is approx. 7.2 kHz.

For measurements above 18 V (max. 50 V), an external series resistor has to be applied to the analog input. The series resistor R_{ext} depends on the input voltage U_{input} and can be calculated as follows:

$$R_{ext} [kOhm] = [(U_{input} * 0.61111) - 11] * 100$$

with $18 V < U_{input} \leq 50 V$

The cutoff frequency for AC voltages is also affected by the external series resistor:

$$f_c [Hz] = \frac{1}{2.33 * 10^{-6} * R_{ext} [kOhm]}$$

Examples

	24 V	32 V	36 V	48 V
R_{ext}	367 kΩ	856 kΩ	1100 kΩ	1833 kΩ
R_{ext} (E96)	374 kΩ (24.12 V)	866 kΩ (32.17 V)	1100 kΩ (36.00 V)	1870 kΩ (48.60 V)
f_c (-3 dB)	1148 Hz	496 Hz	390 Hz	230 Hz

2.4.9 Replacing Piggybacks



Caution!

Ensure an ESD safe working environment during disassembly and assembly. Avoid touching the top, bottom or connectors of the boards during this process to avoid ESD damage.



Step by Step Procedure

1. First, loosen the VN1630A housing screws on the side with the two D-SUB9 connectors. This requires removing the two black decorative caps. Then carefully pull the PC-board out of the housing.

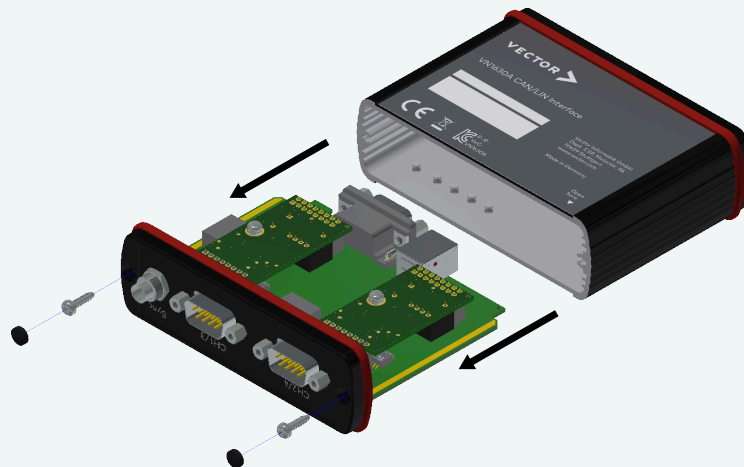


Figure 18: Opening the housing

2. You will find the plug-in location 1 (CH1) at the sync connector side and plug-in location 2 (CH2) at the edge of the PC-board.

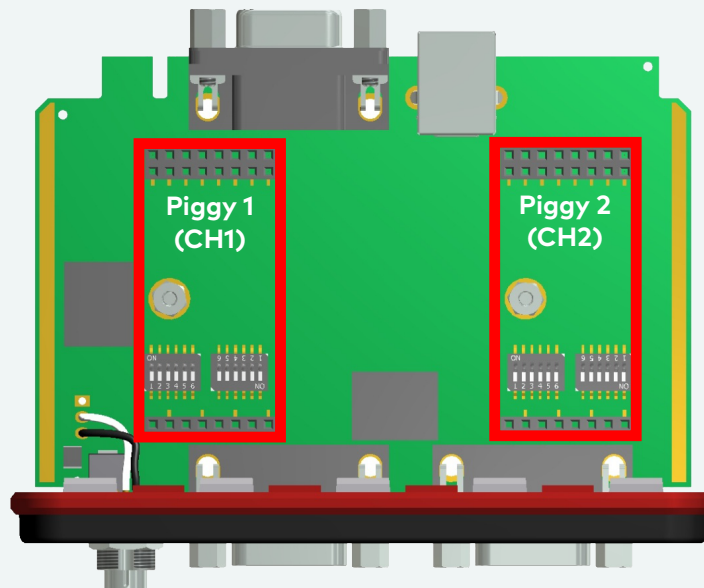


Figure 19: Piggyback plug-in locations CH1 and CH2

3. Each piggyback is fastened by a screw and retainer. Please loosen the appropriate screw including the retainer and carefully remove the piggyback from the plug-in location.

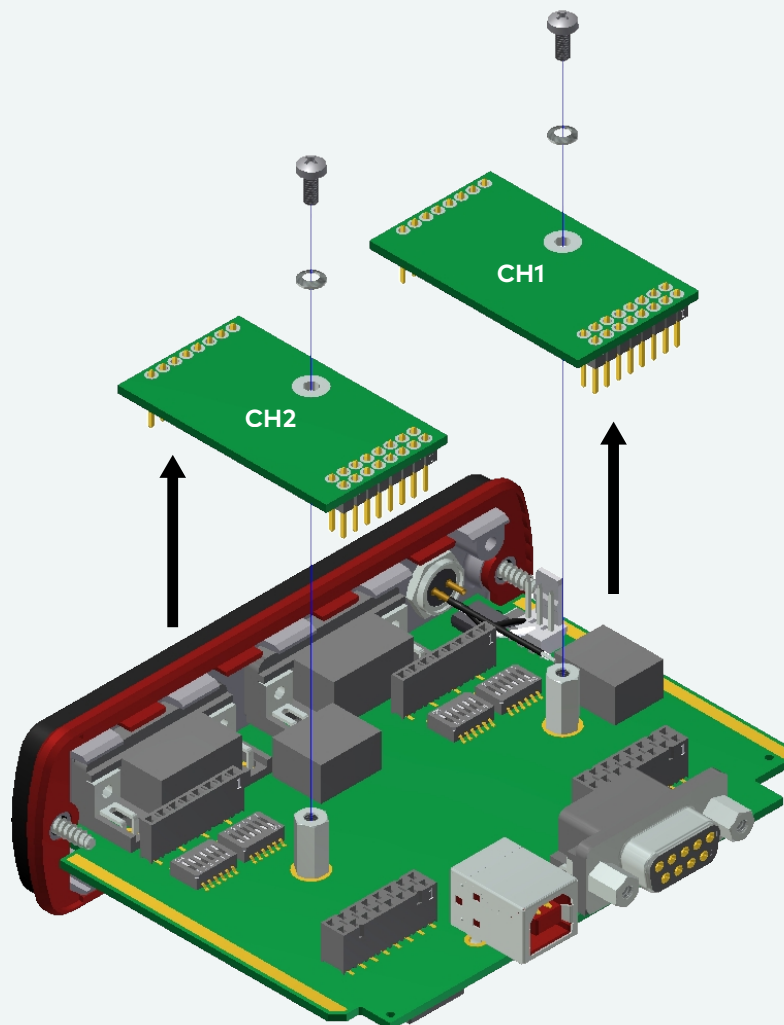


Figure 20: Unmount/mount piggybacks

4. Set the DIP switches as described in section [Pin Assignment CH1/3 and CH2/4](#) on page 25.
5. Insert the replacement piggyback. When doing this please make sure that the single and dual-row connectors are not laterally offset.
6. Secure the new piggyback with the appropriate screw and retainer.

7. Place the VN1630A main board back in the housing. This operation involves placing the housing on a table with its back side (side with the bar code) facing upward. Then the main board with the piggybacks facing upward is inserted into the second guide rails.

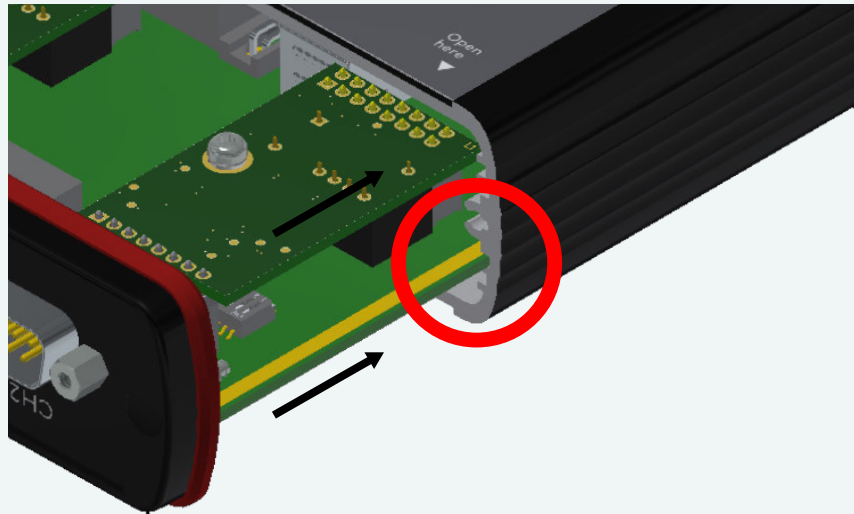


Figure 21: Second guide rails

8. It should be possible to slide the main board in the housing up to a few millimeters from the end without forcing it in. Close the housing by applying light pressure and then secure it with the appropriate screw fasteners. The screws should be secure but not excessively tight.
9. Please also attach the two black decorative caps.
10. Connect the VN1630A and the computer via the USB cable and check the bus configuration in the **Vector Hardware Manager** (page **Device Properties, Status** mode).

2.4.10 Technical Data

CAN channels	<p>Max. 4 2x CAN high-speed 1051cap 2x configurable via piggybacks</p> <p>Bitrates</p> <ul style="list-style-type: none"> - CAN: up to 1 Mbit/s (up to 2 Mbit/s depending on wiring and transceivers) - CAN FD: up to 5 Mbit/s (up to 8 Mbit/s depending on wiring and transceivers)
LIN channels	<p>Max. 2 configurable via piggybacks</p> <p>Bitrates</p> <ul style="list-style-type: none"> - Normal-Mode: up to 20 kBit/s - Flash-Mode: up to 115.2 kBit/s (depending on wiring higher bitrates are possible)
K-Line channels	<p>Max. 2 with LINpiggy 7269mag at CH1/CH2</p>
J1708 channels	<p>Max. 2 configurable via piggybacks</p>
Analog input	<p>10 bit Input 0 V...18 V Voltage tolerance up to 50 V (with series resistor) Sampling rate up to 1 kHz</p>
Digital input	<p>Range 0 V...32 V Schmitt trigger high 2.7 V, low 2.2 V Hysteresis 0.5 V Input frequencies up to 1 kHz</p>
Digital output	<p>Open Drain External supply up to 32 V Current max. 500 mA Short circuit / over voltage protected</p>
Time stamps	<p>Accuracy (within one device): 1 μs Accuracy software sync: typ. 50 μs Accuracy hardware sync: typ. 1 μs</p>
Power consumption	<p>Approx. 2.5 W</p>
Temperature range	<p>Operating: -40 °C...+70 °C Shipping and storage: -40 °C...+85 °C</p>
Relative humidity of ambient air	<p>15 %...95 %, non-condensing</p>
Dimensions (LxWxH)	<p>Approx. 90 mm x 110 mm x 35 mm</p>
Weight	<p>230 g (without accessories)</p>
Operating system requirements	<p>Windows 10 (x64, 64 bit) Windows 11 (x64, 64 bit)</p>

2.4.11 USB Protector Type 1

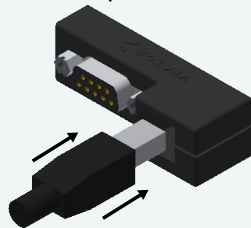
To protect the USB connector of VN1630A or VN1640A against mechanical damages, the USB Protector Type 1 (part number 05142) can be used. The USB Protector Type 1 is part of the standard delivery of VN1630A and VN1640A and available as accessory, too.



Step by Step Procedure

The following steps describe the mounting of the USB Protector:

1. Insert the USB cable into the USB Protector. Therefore, loosen the screw of the clamp.



2. Attach the USB Protector to the Vector network interface and connect the D-SUB9 connector as well as the USB connector.



3. Tighten the screws of the D-SUB9 connector.
4. Tighten the screw to fix the USB connector.

2.4.12 Accessories



Reference

Information on available accessories can be found in the separate accessories manual on our website.

- Bus transceiver**
 - ▶ CAN-/LINpiggies
 - ▶ J1708 Piggyback

- Cables and connectors**
 - ▶ CANcable0
 - ▶ CANcable1
 - ▶ CANcableA
 - ▶ CANcable TnT
 - ▶ CANcable Y
 - ▶ CANcable 2Y
 - ▶ CANterm 120
 - ▶ CANcable Set Pro
 - ▶ Vector SYNCcableXL
 - ▶ Vector SYNCcable50
 - ▶ Multi SYNCbox external
 - ▶ Multi SYNCbox internal
 - ▶ Multi SYNCbox active
 - ▶ Cable Binder 3pol Connector with Pigtail
 - ▶ USB Cable 2.0

- Miscellaneous**
 - ▶ Fix Kit 32mm Device
 - ▶ USB Protector Type 1

2.5 VN1630 log

2.5.1 Main Features

VN1630 log features The main features of the VN1630 log interface are:

- ▶ 2x CAN high-speed 1051cap transceiver (capacitively decoupled)
- ▶ 2x additional plug-in location for CAN-/LINpiggies
- ▶ Fifth channel for dedicated digital-analog input/output tasks
- ▶ LEDs indicating bus activities and status
- ▶ Software sync
- ▶ Hardware sync (via SYNCcableXL)

The recording features are:

- ▶ Recording data of CAN, CAN FD, LIN, digital and analog inputs
- ▶ Data storage on SD/SDHC card
- ▶ Separate LED for logging status
- ▶ Filter and Trigger symbolically configurable
- ▶ Real time clock for date/time information
- ▶ External power supply for standalone mode



Figure 22: VN1630 log CAN/LIN Interface

2.5.2 Connectors Bus Side

Device connectors

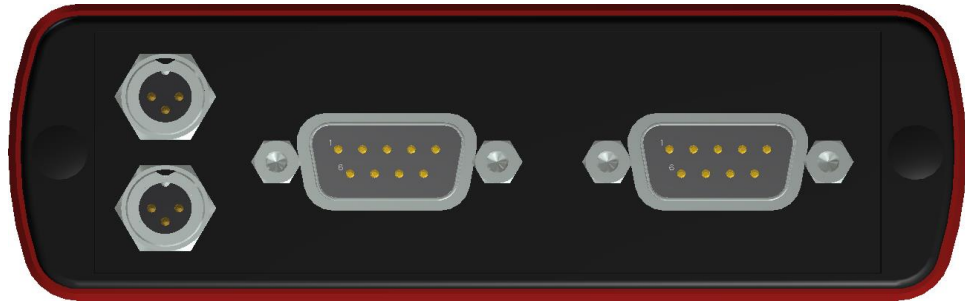


Figure 23: VN1630 log with sync and D-SUB9 connectors

▶ **Power/hardware sync connector**

The VN1630 log has two identical power/sync connectors (Binder type 711) which can be used for power or in Interface Mode for time synchronization of different Vector devices (see section [Time Synchronization](#) on page 100). It does not matter which connector is used to supply the device.

Pin	Assignment
1	Power supply (typ. 12 V)
2	Synchronization line (for Interface Mode)
3	Ground



▶ **D-SUB9 (CH1/3 and CH2/4)**

The VN1630 log has two D-SUB9 connectors, each with up to two channels (CAN/CAN or LIN/CAN). Further information on the pin assignment for CH1/CH3 and CH2/CH4 can be found in section [Pin Assignment CH1/3 and CH2/4](#) on page 45.



Caution!

It is recommended to connect the VN1630 log to the same voltage supply (e. g. battery of the vehicle) as the vehicle or test equipment. If two different voltage supplies are being used for the VN1630 log and the test equipment, the ground (GND) pins of the two voltage supplies must be connected.

2.5.3 Connectors USB Side

Device connectors

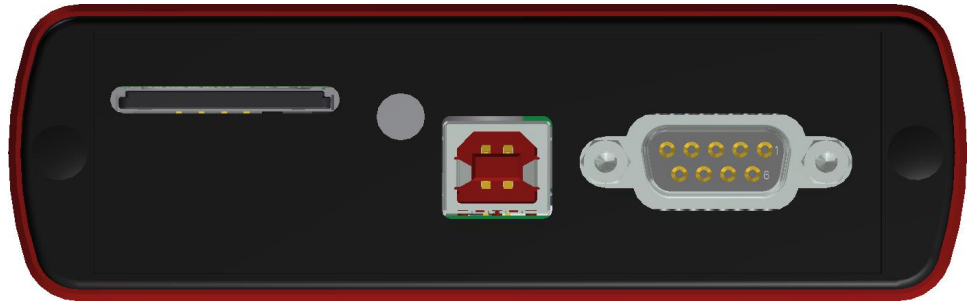


Figure 24: VN1630 log with SD card slot, LED push-button, USB and D-SUB9 connector

▶ SD card slot

The VN1630 log has a push-and-pull card holder in which the SD card is inserted and removed. To insert a SD card push it until it latches in place securely. To securely remove the SD card, press the LED push button at least for three seconds. Remaining data in the ring buffer is copied to the SD card which can take approx. 15 seconds. During this time, the LED flashes yellow. Remove the SD card only if the LED lights green. During this sequence the VN1630 log must not be disconnected from the power supply. This protects the SD card from memory losses. Then unlatch the SD card by pushing it into the holder slot. Remove the card.



Caution!

To avoid mechanical damage do not pull the SD card from the card holder forcefully.

▶ LED push button

LED that indicates the SD card status.

Color	Description
Green	SD card can be removed.
Yellow	On: SD card inserted and identified. Do not remove the SD card. Flashing: Logging in progress. Do not remove the SD card.

▶ USB

Connect your computer and the VN1630 log via USB to install, to configure and to use the device with measurement applications (e. g. CANoe, CANalyzer). Use the USB2.0 compliant cable found in the delivery (USB extension cables may generate faults between the computer and the device). Connect the device directly to USB at your computer or use a USB hub with its own power supply (self-powered). Depending on the used piggyback, the VN1630 log requires the entire USB current (500 mA) which cannot be provided by a bus-powered USB hub. The VN1630 log also supports two operating modes which can be switched by using the USB connection and power supply respectively:

Mode	USB	External Power Supply
Interface Mode/ Logging configuration	connected to computer	optional
Logging Mode	not connected	yes

Interface Mode

In Interface Mode, the VN1630 log operates as a CAN/LIN interface between a computer and the bus. Messages can be received and sent over both channels with suitable tools (identical to VN1630A). The VN1630 log must be in the Interface Mode to configure the logging mode.

While used as interface by a Vector tool, recorded data can be read from the SD card. In this case the interface functionality has priority and the card access takes places with reduced speed.

Logging Mode

The Logging Mode enables the computer independent usage of the VN1630 log and allows the logging of CAN and LIN events. For this purpose, the VN1630 log must be unplugged from the USB connector of the computer and externally supplied via the Binder connector.

**Caution!**

During logging, the VN1630 log must not be connected to the computer via the USB cable, since the logging mode would otherwise be exited!

**Reference**

Information on the configuration of the logging mode can be found in the separate manual provided with the **Vector Logger Suite** on the Vector Driver Disk in `\Tools\VN1630_log`.

► D-SUB9 (CH5)

The VN1630 log has a D-SUB9 connector (CH5) for dedicated digital-analog input/output tasks. The pin assignment can be found in section **Pin Assignment CH5** on page 48.

2.5.4 LEDs

Description

The VN1630 log has five LEDs indicating bus activities and status as well one LED for Logging Mode.

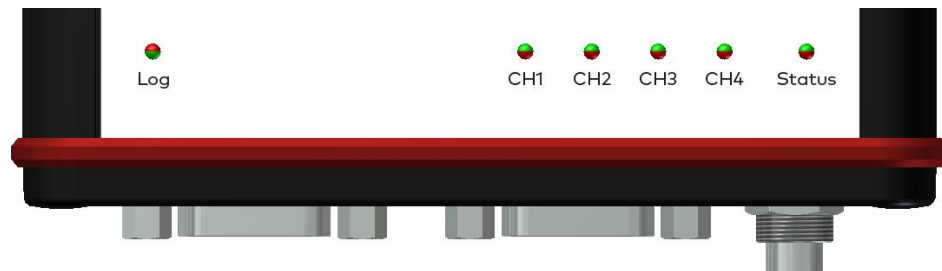


Figure 25: LEDs of the VN1630 log

► **Log**

Multicolored LED that indicates the status of the logging mode.

Color	Description
Green	Device is accessing the SD card.
Orange	On: SD card full. Flashing: Error while accessing SD card.
Red	Flashing (1 Hz): Piggyback equipment not compatible with logging configuration. Flashing (>1 Hz): Error while logging.

► **CH1 ... CH4 (with CAN-/LINpiggies)**

Multicolored channel LEDs, each indicating the bus activity for CAN, LIN or K-Line.

Color	Description
Green	Data frames have been sent or received correctly.
Orange	CAN: Error frames have been sent or received. LIN/K-Line: Protocol errors as well as valid messages on the bus.
Red	CAN: Bus off. LIN/K-Line: Protocol errors on the bus.

CAN: The flashing frequency depends on the bus load.

► **Status (Interface Mode)**

Multicolored LED that indicates the status of the device.

Color	Description
Green	Device is ready for operation/running measurement.
Orange	Initializing driver. Please wait.
Red	Error. Device not working.

► **Status (Logging Mode)**

Multicolored LED that indicates the status of the device.

Color	Description
Green	Device is ready for operation and logging configuration is started.
Orange	Flashing (slow): SD card not inserted. Flashing (fast): Firmware update in progress.
Red	Error. Flashing (slow): Device not working or logging firmware missing. Flashing (fast): Logging configuration missing on SD card or incompatible with firmware.

2.5.5 Bus Configuration

Piggybacks for CH1 and CH2

The VN1630 log has two piggyback plug-in locations (primary channels CH1 and CH2). Depending on requirements, electrically decoupled CAN High-Speed, CAN Low-Speed, CAN Single Wire, J1708 or LIN transceivers may be used. In addition, two electrically decoupled built-in CAN TJA1051 (high-speed) transceivers are available (secondary channels CH3 and CH4). CH5 is reserved for dedicated IO tasks.



Note

A list of compatible piggybacks can be found in the [accessories manual](#) or on our [website](#).

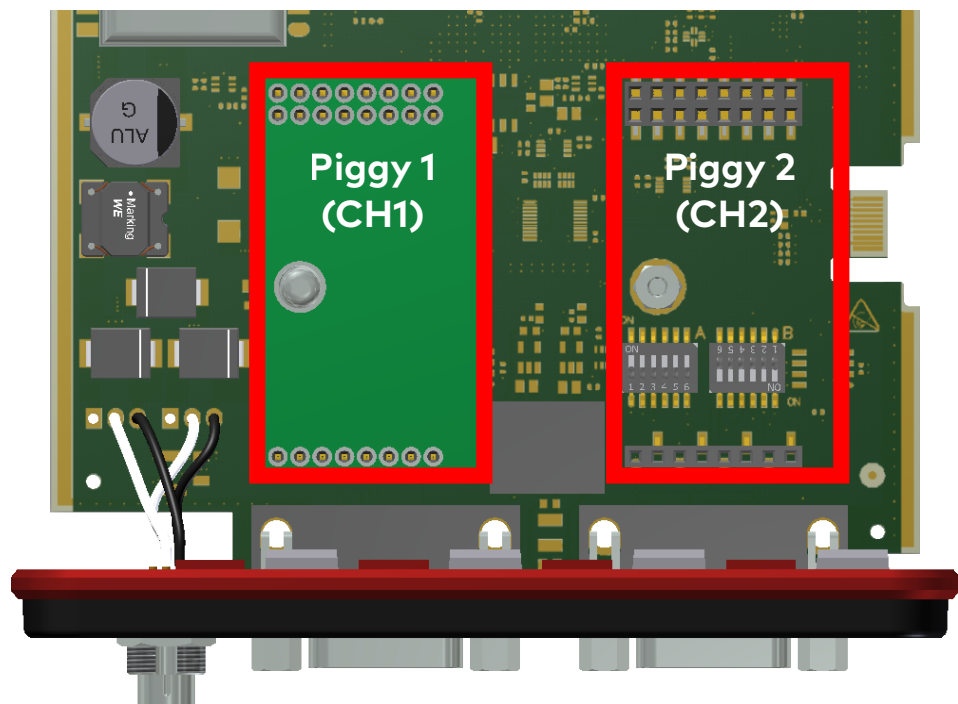


Figure 26: Piggyback plug-in locations for CH1 and CH2



Note

LINpiggybacks have to be inserted before CANpiggybacks (in ascending order). If you intend to use only one LINpiggyback, please use the first plug-in location (CH1). J1708 should be handled like CAN.

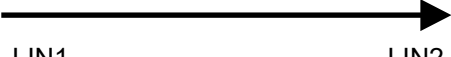

Each empty plug-in location is loaded with a built-in transceiver from the secondary channel according to the DIP switch settings.



Reference

Further information on DIP switches can be found in section [Pin Assignment CH1/3 and CH2/4](#) on page 45.




Piggyback order

Primary	CH1	CH2
Piggyback		
	or	or
		
Secondary	CH3	CH4
Built-in Transceiver	CAN 1051cap	CAN 1051cap

Examples

The following tables show examples of possible configurations:




2x CAN without piggybacks
1x IO

	 CH1/CH3	 CH2/CH4	 CH5
Piggyback	-	-	-
Primary	CH1	CH2	CH5
	↑	↑	
Built-in Transceiver	CAN 1051cap	CAN 1051cap	
Secondary	CH3	CH4	

Configuration

CH1: no piggyback, built-in CAN 1051cap transceiver (CH3).
 CH3: not usable.
 CH2: no piggyback, built-in CAN 1051cap transceiver (CH4).
 CH4: not usable.
 CH5: on-board IO.




4x CAN
1x IO

	 CH1/CH3	 CH2/CH4	 CH5
Piggyback	CAN	CAN	-
Primary	CH1	CH2	CH5
	-	-	
Built-in Transceiver	CAN 1051cap	CAN 1051cap	
Secondary	CH3	CH4	

Configuration

CH1: CANpiggy.
 CH3: built-in CAN 1051cap transceiver.
 CH2: CANpiggy.
 CH4: built-in CAN 1051cap transceiver.
 CH5: on-board IO.

1x LIN
2x CAN
1x IO

	 CH1/CH3	 CH2/CH4	 CH5
Piggyback	LIN	-	-
Primary	CH1	CH2	CH5
	-	↑	
Built-in Transceiver	CAN 1051cap	CAN 1051cap	
Secondary	CH3	CH4	

Configuration

CH1: LINpiggy.

CH3: built-in CAN 1051cap transceiver.

CH2: no piggyback, built-in CAN 1051cap transceiver (CH4).

CH4: not usable.

CH5: on-board IO.

2.5.6 Pin Assignment CH1/3 and CH2/4

Double assignment of D-SUB9 connectors CH1 and CH2 Before installing a piggyback in the plug-in location (see section Replacing Piggybacks on page 50), the pin assignment of the D-SUB9 connector (CH1/CH3 and CH2/CH4) has to be selected via DIP switches, which can be found inside the device at the plug-in locations.

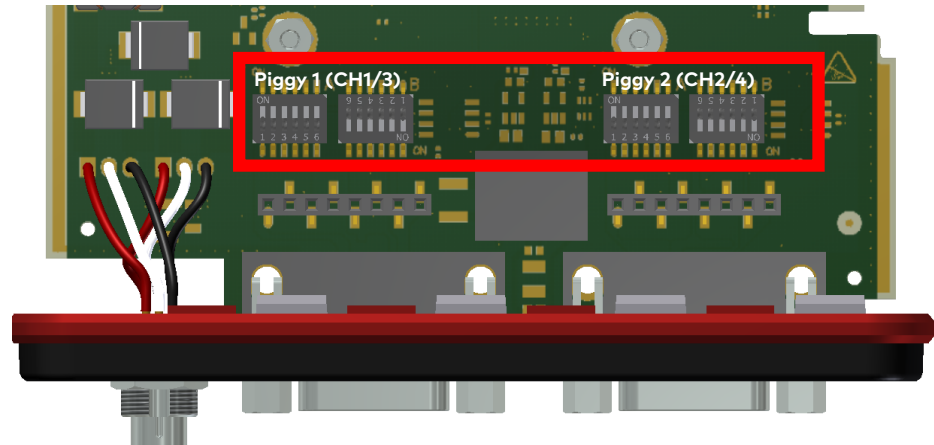


Figure 27: DIP switches (left: CH1/3, right: CH2/4)

Pin assignment CH1 ... CH4

The pin assignments of the D-SUB9 connectors depend on the used bus transceiver configuration inside the VN1630 log. A list of compatible piggybacks can be found in the accessories manual or on our website.

► **No piggyback inserted**

If no piggyback is inserted, only the built-in CAN transceiver at CH1 (CH2) is active (no double assignment of the D-SUB9 connector):

Pin	Assignment
1	Not connected
2	1051cap CAN Low
3	GND
4	Not connected
5	Not connected
6	Not connected
7	1051cap CAN High
8	Not connected
9	Not connected

A: all ,OFF' / B: all ,ON'

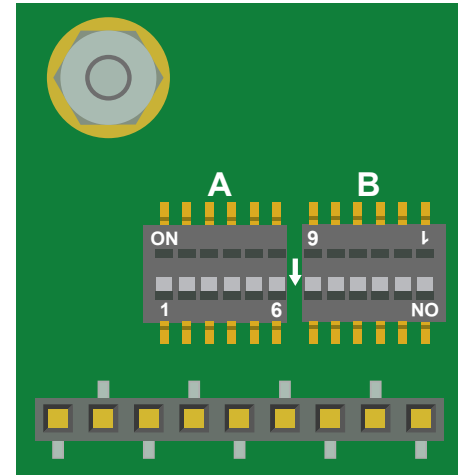


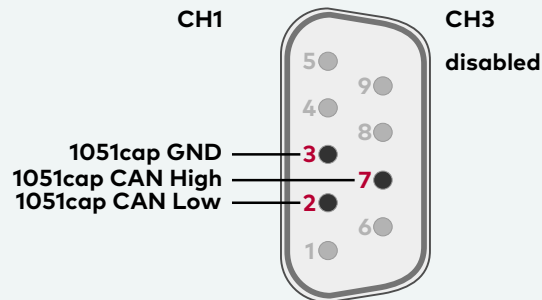
Figure 28: Configuration without piggyback



Example

No piggyback

The following example shows the pin assignment of CH1/CH3 if no piggyback is inserted in the plug-in location at channel 1.



▶ **CAN/LIN piggyback inserted**

If a CAN- or LINpiggy is inserted, the piggyback is assigned to CH1 (CH2) and the built-in CAN transceiver is assigned to CH3 (CH4):

Pin	Assignment
1	1051cap CAN Low
2	Piggyback-dependent
3	Piggyback-dependent
4	Piggyback-dependent
5	Not connected
6	GND
7	Piggyback-dependent
8	1051cap CAN High
9	Piggyback-dependent

A: all ,ON' / B: all ,OFF'

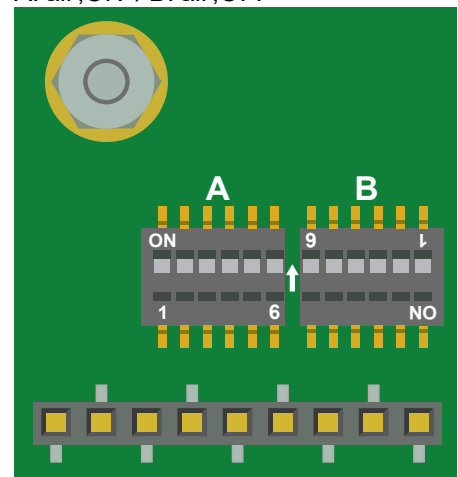


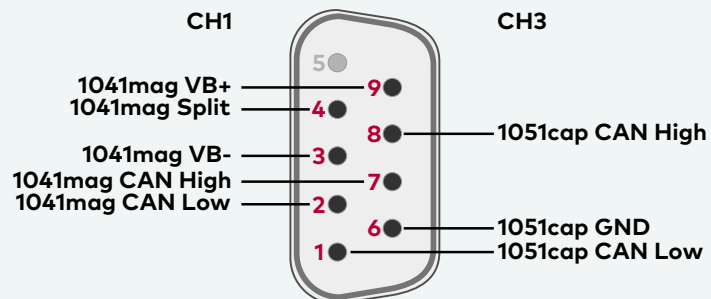
Figure 29: Configuration with piggyback



Example

CANpiggy 1041mag

The following example shows the pin assignment of CH1/CH3 if a CANpiggy 1041mag is inserted in the plug-in location at channel 1.





Note

The described pin assignment is also valid for CH2/CH4. A warning appears in the **Vector Hardware Manager** (page **Device Properties, Status** mode), if the DIP switch settings are improperly set. Check your DIP switch settings in this case.

CAN/LIN Y cable

Use the CANcable 2Y to access both channels on separate D-SUB9 connectors (see accessories manual, part number 05075). The pin assignments of the D-SUB9 connectors depend on the used bus transceiver configuration inside the VN1630 log. A list of compatible piggybacks can be found in the accessories manual or on our website.

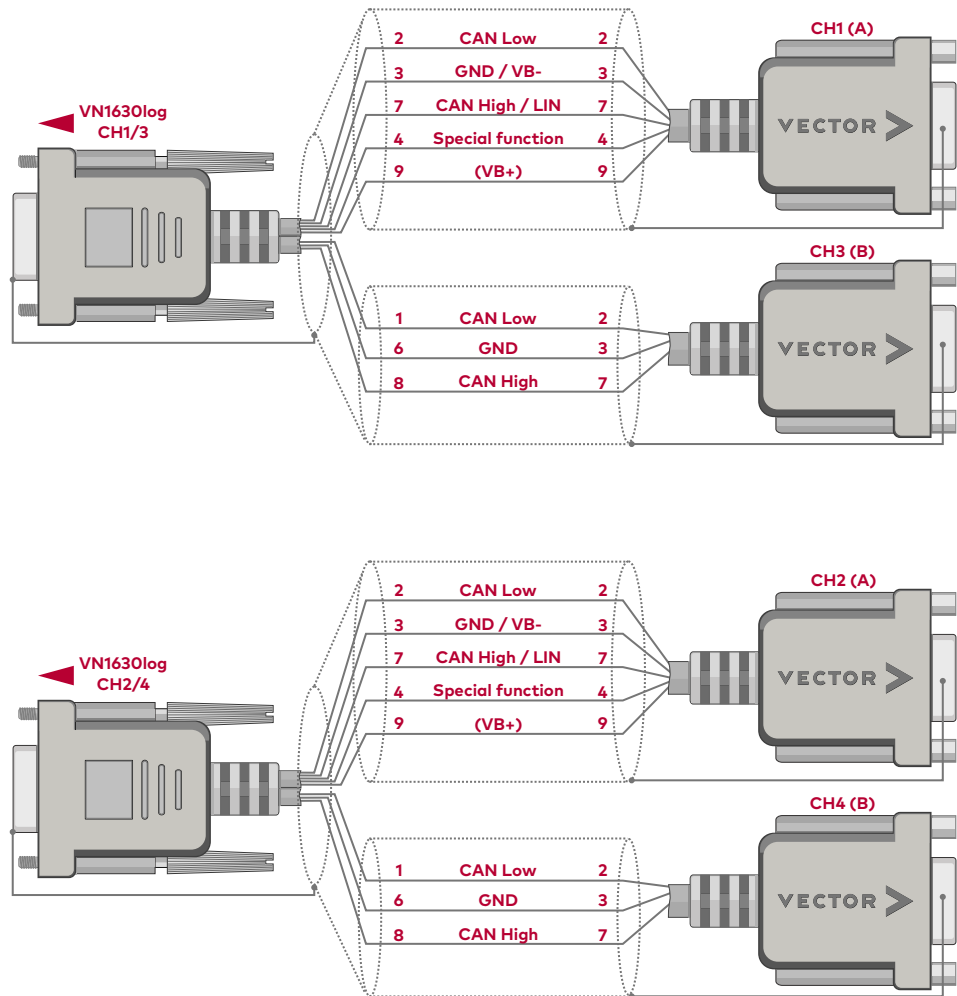


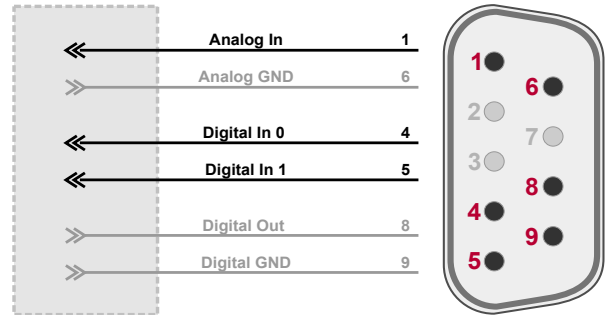
Figure 30: 2x CANcable 2Y connected to VN1630log

2.5.7 Pin Assignment CH5

Digital/analog IO

The pin assignment for CH5 is as follows:

Pin	Assignment
1	Analog input
2	Not connected
3	Not connected
4	Digital input 0
5	Digital input 1
6	Analog GND
7	Not connected
8	Digital output
9	Digital GND



Internal interconnection of digital input 0/1

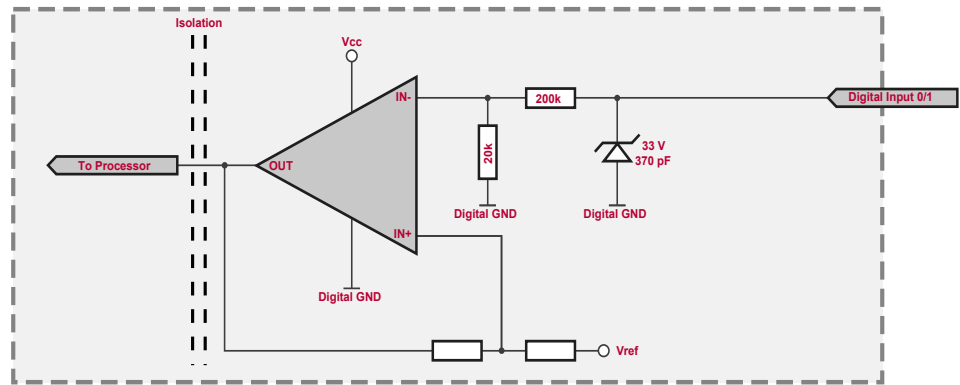


Figure 31: Digital input 0/1

Internal interconnection of digital output

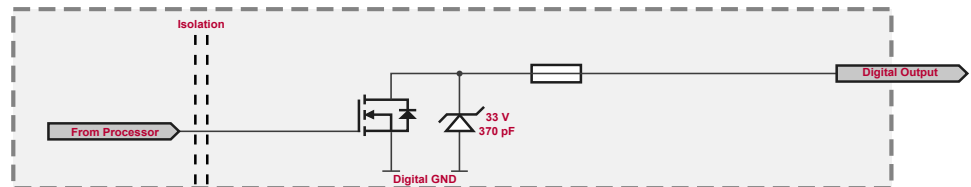


Figure 32: Digital output

Internal interconnection of analog input

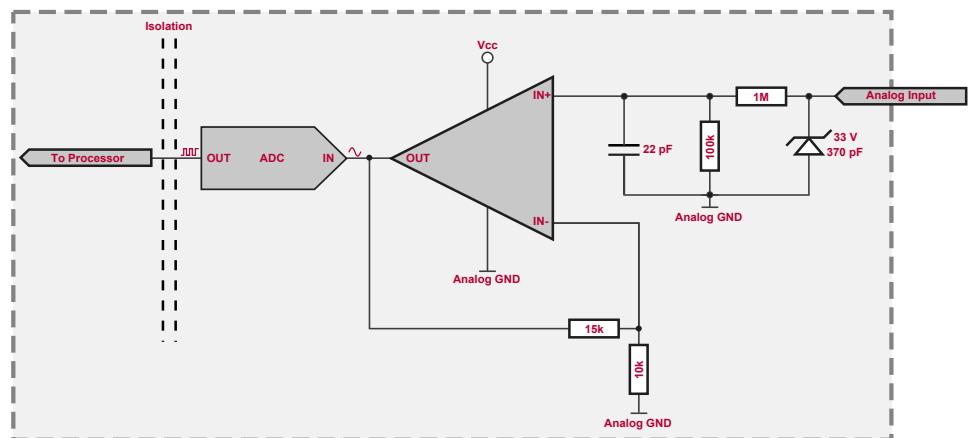


Figure 33: Analog input

Extended measuring range of the analog input

In normal operation, voltages up to 18 V can be applied and measured at the analog input. The cutoff frequency f_c (-3 dB) for AC voltages is approx. 7.2 kHz.

For measurements above 18 V (max. 50 V), an external series resistor has to be applied to the analog input. The series resistor R_{ext} depends on the input voltage U_{input} and can be calculated as follows:

$$R_{ext} [kOhm] = [(U_{input} * 0.61111) - 11] * 100$$

with $18 V < U_{input} \leq 50 V$

The cutoff frequency for AC voltages is also affected by the external series resistor:

$$f_c [Hz] = \frac{1}{2.33 * 10^{-6} * R_{ext} [kOhm]}$$

Examples

	24 V	32 V	36 V	48 V
R_{ext}	367 kΩ	856 kΩ	1100 kΩ	1833 kΩ
R_{ext} (E96)	374 kΩ (24.12 V)	866 kΩ (32.17 V)	1100 kΩ (36.00 V)	1870 kΩ (48.60 V)
f_c (-3 dB)	1148 Hz	496 Hz	390 Hz	230 Hz

2.5.8 Replacing Piggybacks



Caution!

Ensure an ESD safe working environment during disassembly and assembly. Avoid touching the top, bottom or connectors of the boards during this process to avoid ESD damage.



Step by Step Procedure

1. First, loosen the VN1630 log housing screws on the side with the two D-SUB9 connectors. This requires removing the two black decorative caps. Then carefully pull the PC-board out of the housing.

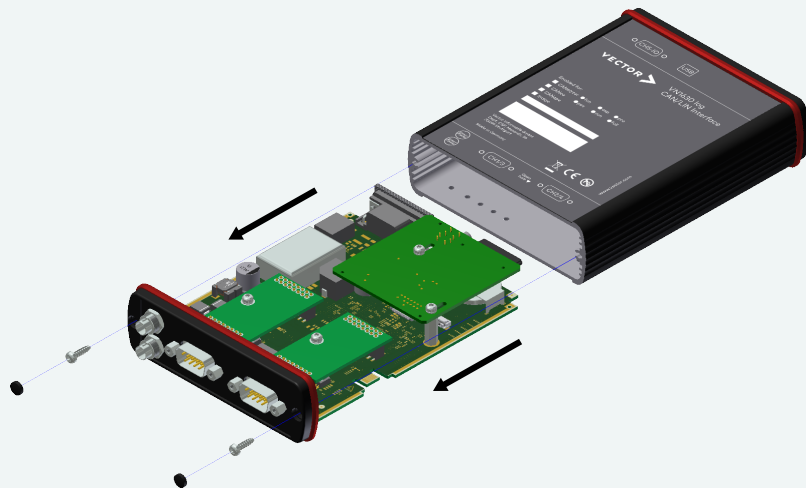


Figure 34: Opening the housing

2. You will find the plug-in location 1 (CH1) at the sync connector side and plug-in location 2 (CH2) at the edge of the PC-board.

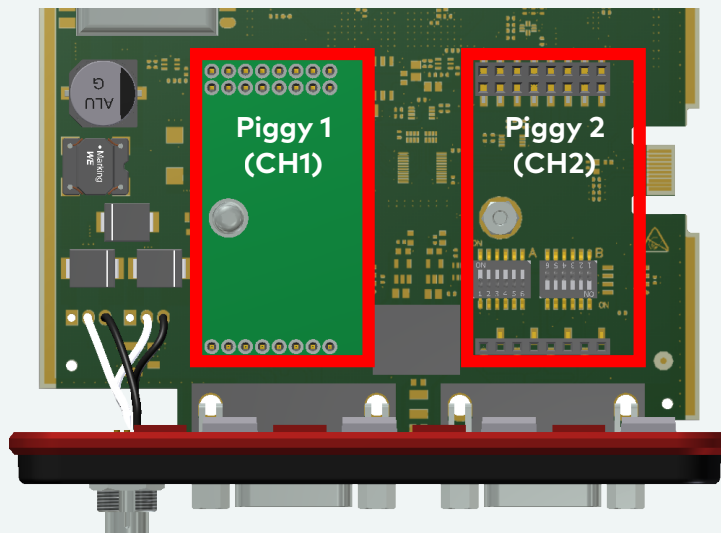


Figure 35: Piggyback plug-in locations CH1 and CH2

3. Each piggyback is fastened by a screw and retainer. Please loosen the appropriate screw including the retainer and carefully remove the piggyback from the plug-in location.

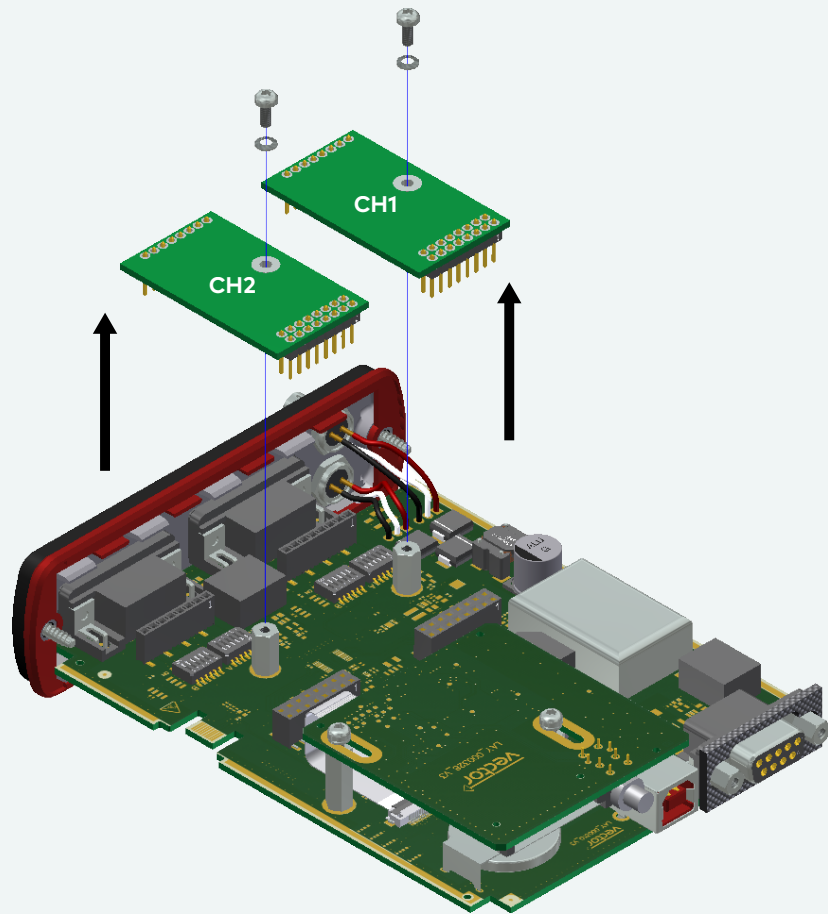


Figure 36: Unmount/mount piggybacks

4. Set the DIP switches as described in section [Pin Assignment CH1/3 and CH2/4](#) on page 45.
5. Insert the replacement piggyback. When doing this please make sure that the single and dual-row connectors are not laterally offset.
6. Secure the new piggyback with the appropriate screw and retainer.

7. Place the VN1630 log main board back in the housing. This operation involves placing the housing on a table with its back side (side with the bar code) facing upward. Then the main board with the piggybacks facing upward is inserted into the first guide rails.

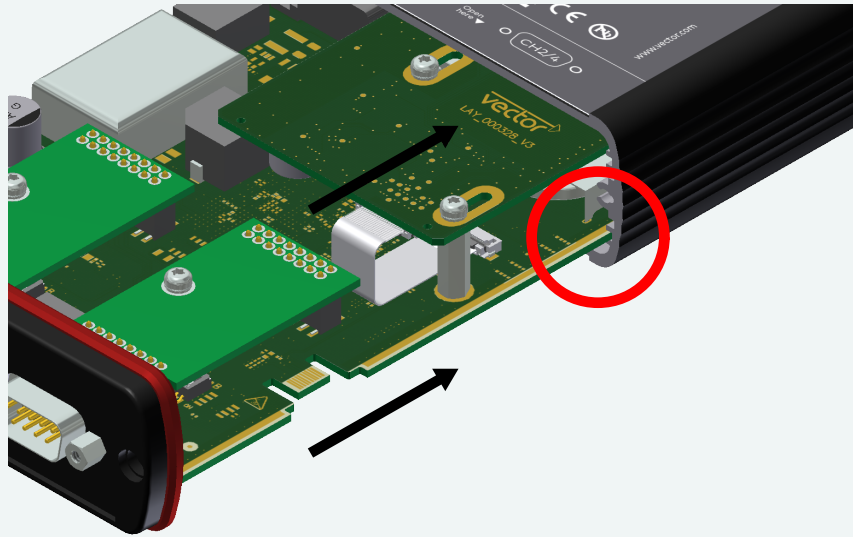


Figure 37: First guide rails

8. It should be possible to slide the main board in the housing up to a few millimeters from the end without forcing it in. Close the housing by applying light pressure and then secure it with the appropriate screw fasteners. The screws should be secure but not excessively tight.
9. Please also attach the two black decorative caps.
10. Connect the VN1630 log and the computer via the USB cable and check the bus configuration in the **Vector Hardware Manager** (page **Device Properties, Status** mode).

2.5.9 SD/SDHC Memory Cards

SD/SDHC cards The VN1630 log supports industrial grade SD/SDHC memory cards up to 32 GB. Recording stops when the memory card is full. This can be configured as error to make the VN1630 log beep.

Only industrial grade SD/SDHC cards approved by Vector are recommended for proper use:

SD/SDHC cards

- ▶ Xmore Industrial 2 GB (SD-2G0-XIE82)
- ▶ Xmore Industrial 8 GB (SD-8G0-XIE82)
- ▶ Xmore Industrial 16 GB (SD-16G-XIE82)
- ▶ Xmore Industrial 32 GB (SD032GXQI8C016Z)
- ▶ SanDisk Industrial XT 32 GB (SDSDAF-032G-XI)



Note

The memory cards have to be FAT32 formatted. For optimum speed, we recommend FAT32 formatting with the maximum available cluster size.

2.5.10 Ring Buffer in RAM

Memory The VN1630 log has an allocated ring buffer in its RAM (32 MB) which is used to buffer received data. During recording, the data is continually written to the SD card. When using a triggered recording, the data is only stored into the ring buffer until the trigger event occurs. The data is then copied from the ring buffer to the SD card according to the set pre-trigger time.

2.5.11 Real Time Clock

Description The VN1630 log has a real time clock for date/time information while logging. The real time clock can be set up in the **Vector Logger Suite**. It is recommended to set the real time clock before first logging.

2.5.12 Battery

Lifetime The VN1630 log is equipped with a lithium battery that powers the integrated real time clock. The battery has a typical durability of approx. 5 years.

2.5.13 Beep

Beep The VN1630 log has an acoustic signal generator that alerts the user, for example, in the event of a trigger, overload and full SD card. The desired behavior can be set in the the **Vector Logger Suite**.

2.5.14 Technical Data

CAN channels	<p>Max. 4 2x CAN high-speed 1051cap 2x configurable via piggybacks</p> <p>Bitrates</p> <ul style="list-style-type: none"> - CAN: up to 1 Mbit/s (up to 2 Mbit/s depending on wiring and transceivers) - CAN FD: up to 5 Mbit/s (up to 8 Mbit/s depending on wiring and transceivers)
LIN channels	<p>Max. 2 configurable via piggybacks</p> <p>Bitrates</p> <ul style="list-style-type: none"> - Normal-Mode: up to 20 kBit/s - Flash-Mode: up to 115.2 kBit/s (depending on wiring higher bitrates are possible)
K-Line channels	<p>Max. 2 with LINpiggy 7269mag at CH1/CH2</p>
J1708 channels	<p>Max. 2 configurable via piggybacks</p>
Analog input	<p>10 bit Input 0 V...18 V Voltage tolerance up to 50 V (with series resistor) Sampling rate up to 1 kHz</p>
Digital input	<p>Range 0 V...32 V Schmitt trigger high 2.7 V, low 2.2 V Hysteresis 0.5 V Input frequencies up to 1 kHz</p>
Digital output	<p>Open Drain External supply up to 32 V Current max. 500 mA Short circuit / over voltage protected</p>
Time stamps	<p>Accuracy (within one device): 1 μs Accuracy software sync: typ. 50 μs Accuracy hardware sync: typ. 1 μs</p>
Operation mode	Interface and logging
Memory function	Logging on SD/SDHC card
Extras	Real time clock
Startup time (Logging Mode)	3 seconds after power-up
Battery	Lithium primary cell type BR2330A
Power supply	Interface Mode: via USB Logging Mode: 6 V...50 V
Power consumption	Approx. 2.5 W
Temperature range	Operating: -40 °C...+65 °C Shipping and storage: -40 °C...+85 °C
Relative humidity of ambient air	15 %...95 %, non-condensing
Dimensions (LxWxH)	Approx. 150 mm x 110 mm x 35 mm
Weight	400 g (without accessories)

Operating system requirements	Windows 10 (x64, 64 bit) Windows 11 (x64, 64 bit)
--------------------------------------	--

2.5.15 Accessories



Reference

Information on available accessories can be found in the separate accessories manual on our website.

- Bus transceiver**
 - ▶ CAN-/LINpiggies

- Cables and connectors**
 - ▶ CANcable0
 - ▶ CANcable1
 - ▶ CANcableA
 - ▶ CANcable TnT
 - ▶ CANcable TnT Term
 - ▶ CANcable Y
 - ▶ CANcable 2Y
 - ▶ CANterm 120
 - ▶ CANcable Set Pro
 - ▶ Vector SYNCcableXL
 - ▶ Vector SYNCcable50
 - ▶ Multi SYNCbox external
 - ▶ Multi SYNCbox internal
 - ▶ Multi SYNCbox active
 - ▶ Cable Binder 3pol Connector with Pigtail
 - ▶ USB Cable 2.0

- Power supply**
 - ▶ Cable Banana Plug <> Binder 3-pin
 - ▶ Car Power Supply Cable 12V with Binder

- Miscellaneous**
 - ▶ Fix Kit 32mm Device
 - ▶ SD/SDHC Memory Cards

2.6 VN1640A

2.6.1 Scope of Delivery

Contents

The delivery includes:

- ▶ VN1640A CAN/LIN Interface
- ▶ USB2.0 cable (part number 05011)
- ▶ USB Protector Type 1 (part number 05142, see page 69)

2.6.2 Main Features

VN1640A features

The main features of the VN1640A interface are:

- ▶ 4x plug-in location for CAN-, LIN-, K-Line-, J1708- and SENTpiggybacks
- ▶ Fifth channel for dedicated digital-analog input/output tasks
- ▶ 5x D-SUB9 connector
- ▶ Five LEDs indicating bus activities and status
- ▶ Software sync
- ▶ Hardware sync (via SYNCcableXL)

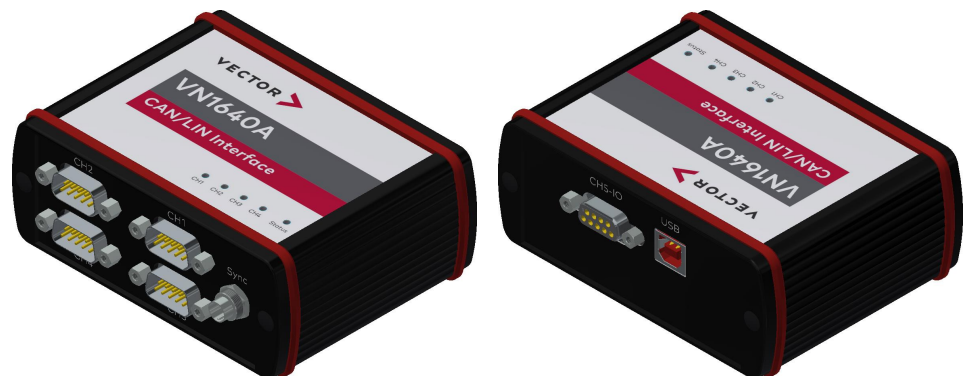


Figure 38: VN1640A CAN/LIN Interface

2.6.3 Connectors Bus Side

Device connectors

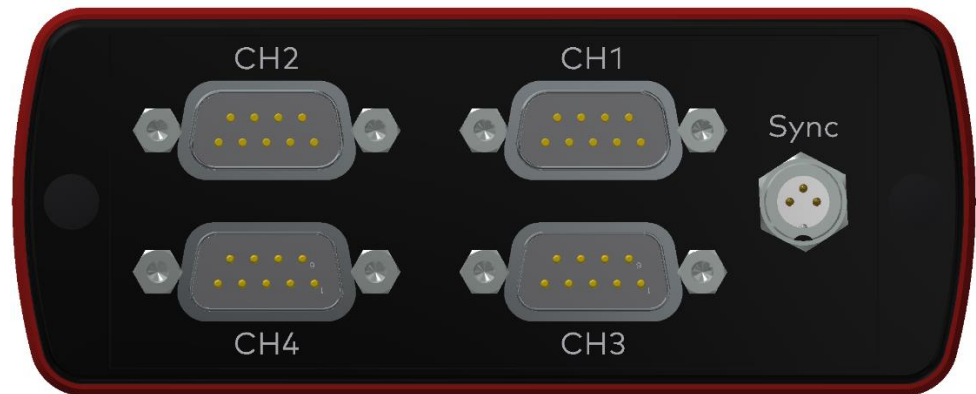


Figure 39: VN1640A with D-SUB9 connectors and sync

▶ **Binder connector (Sync)**

This connector (Binder type 711) can be used for time synchronization of different Vector devices (see section [Time Synchronization](#) on page 100). **The sync connector is not intended to connect a power supply.**

Pin	Assignment
1	Not connected
2	Synchronization line
3	Ground



▶ **D-SUB9 (CH1...4)**

The VN1640A has four D-SUB9 connectors, each assigned to a dedicated piggy-back plug-in location. Further information on the pin assignment can be found in section [Pin Assignment CH1...CH4](#) on page 62.

2.6.4 Connectors USB Side

Device connectors



Figure 40: VN1640A with D-SUB9 connector and USB

► **USB**

Connect your computer and the VN1640A via USB to install and to use the device with measurement applications (e. g. CANoe, CANalyzer). Use the USB2.0 compliant cable found in the delivery (USB extension cables may generate faults between the computer and the device). Connect the device directly to USB at your computer or use a USB hub with its own power supply (self-powered). Depending on the used piggyback, the VN1640A requires the entire USB current (500 mA) which cannot be provided by a bus-powered USB hub.

► **D-SUB9 (CH5)**

The VN1640A has a D-SUB9 connector (CH5) for dedicated digital-analog input/output tasks. The pin assignment can be found in section **Pin Assignment CH5** on page 63.

2.6.5 LEDs

Description

The VN1640A has five LEDs indicating bus activities and status:

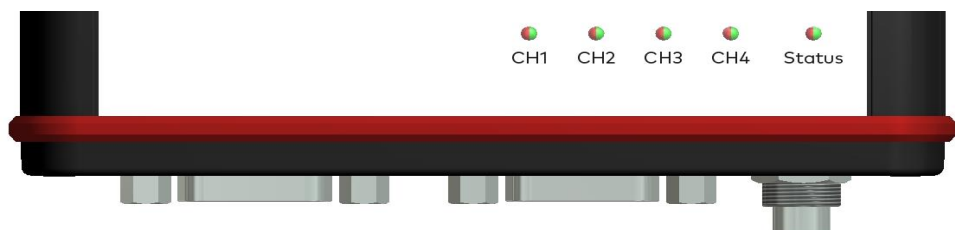


Figure 41: LEDs of the VN1640A

► **CH1 ... CH4 (with CAN-/LINpiggies)**

Multicolored channel LEDs, each indicating the bus activity for CAN, LIN or K-Line.

Color	Description
Green	Data frames have been sent or received correctly.
Orange	CAN: Error frames have been sent or received. LIN/K-Line: Protocol errors as well as valid messages on the bus.
Red	CAN: Bus off. LIN/K-Line: Protocol errors on the bus.

CAN: The flashing frequency depends on the bus load.

► **Status**

Multicolored LED that indicates the status of the device.

Color	Description
Green	Device is ready for operation/running measurement.
Orange	Initializing driver. Please wait.
Red	Error. Device not working.

2.6.6 Bus Configuration

Piggybacks

The VN1640A has four piggyback plug-in locations (CH1...CH4). Depending on requirements, electrically decoupled CAN High-Speed, CAN Low-Speed, CAN Single Wire, J1708, LIN or SENT transceivers may be used. CH5 is reserved for dedicated IO tasks.



Note

A list of compatible piggybacks can be found in the accessories manual or on our website.

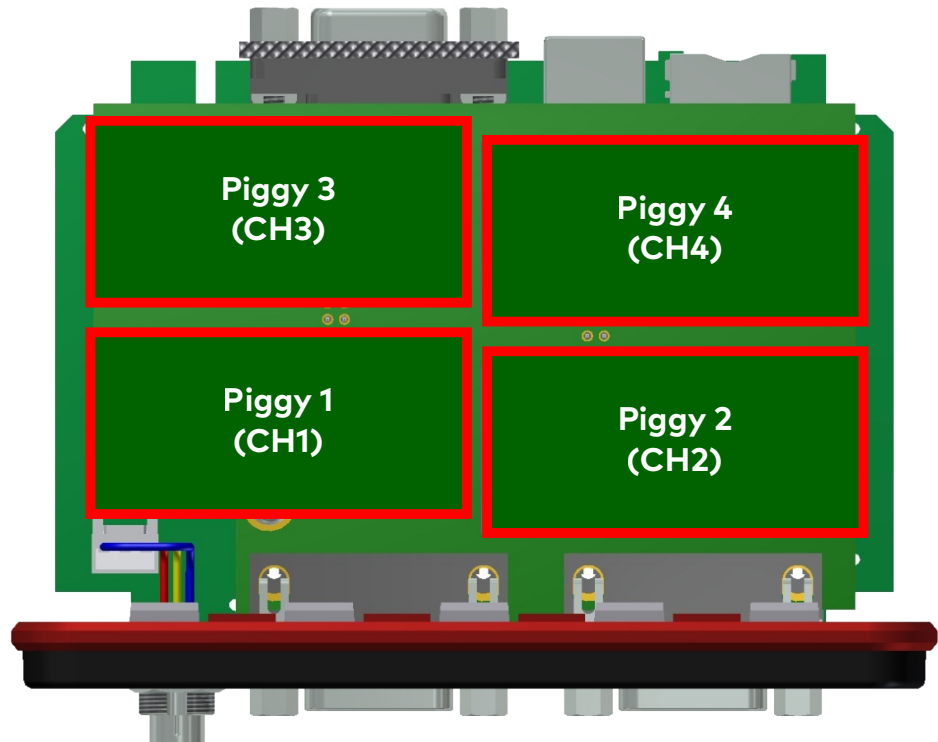


Figure 42: Piggyback plug-in locations for CH1...CH4



Note

LINpiggies have to be inserted before CANpiggies (in ascending order). If you intend to use only one LINpiggy, please use the first plug-in location (CH 1). J1708 should be handled like CAN. SENSORpiggies SENT have to be inserted between LINpiggies and CANpiggies.

Piggyback Configurations			
CH1	CH2	CH3	CH4
CAN1	CAN2	CAN3	CAN4
LIN1	CAN1	CAN2	CAN3
LIN1	LIN2	CAN1	CAN2
LIN1	LIN2	LIN3	CAN1
LIN1	LIN2	LIN3	LIN4

Examples

The following tables show examples of possible configurations:

1x CAN

CH1	CH2	CH3	CH4
CANpiggy 1	-	-	-

1x LIN

CH1	CH2	CH3	CH4
LINpiggy 1	-	-	-

1x LIN
1x CAN

CH1	CH2	CH3	CH4
LINpiggy 1	CANpiggy 1	-	-

1x LIN
1x CAN

CH1	CH2	CH3	CH4
-	LINpiggy 1	-	CANpiggy 1

2x LIN
1x CAN

CH1	CH2	CH3	CH4
LINpiggy 1	LINpiggy 2	CANpiggy 1	-

1x LIN
1x SENT
1x CAN

CH1	CH2	CH3	CH4
LINpiggy 1	SENTpiggy 1	CANpiggy 1	-

1x SENT
1x CAN

CH1	CH2	CH3	CH4
SENTpiggy 1	CANpiggy 1	-	-

1x LIN
1x SENT

CH1	CH2	CH3	CH4
LINpiggy 1	SENTpiggy 1	-	-

2.6.7 Pin Assignment CH1...CH4

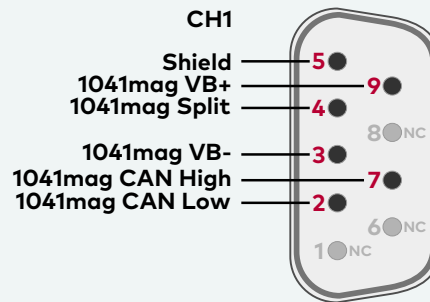
Assignment of the D-SUB9 connectors The pin assignments depend on the inserted piggybacks. A list of compatible piggybacks can be found in the [accessories manual](#) or on our [website](#).



Example

CANpiggy 1041mag

The following example shows the pin assignment of CH1 if a CANpiggy 1041mag is inserted in the plug-in location at channel 1:

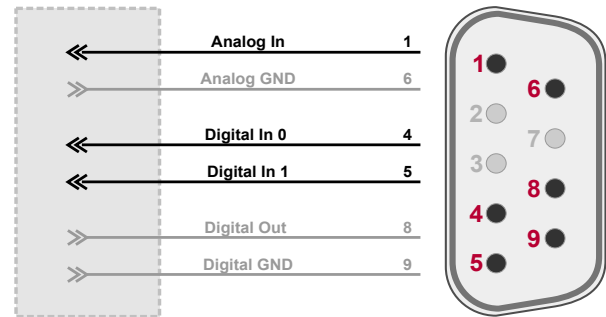


2.6.8 Pin Assignment CH5

Digital/analog IO

The pin assignment for CH5 is as follows:

Pin	Assignment
1	Analog input
2	Not connected
3	Not connected
4	Digital input 0
5	Digital input 1
6	Analog GND
7	Not connected
8	Digital output
9	Digital GND



Internal interconnection of digital input 0/1

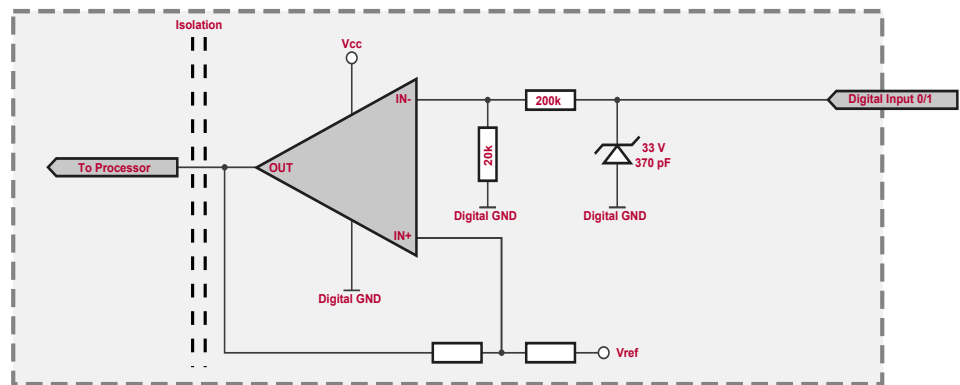


Figure 43: Digital input 0/1

Internal interconnection of digital output

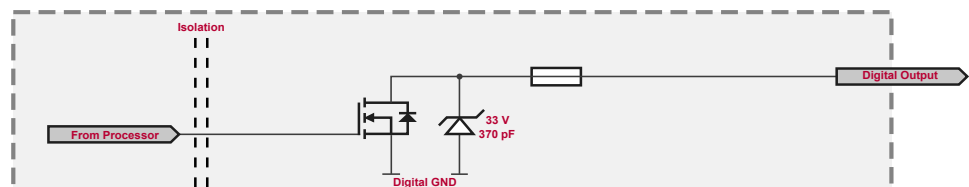


Figure 44: Digital output

Internal interconnection of analog input

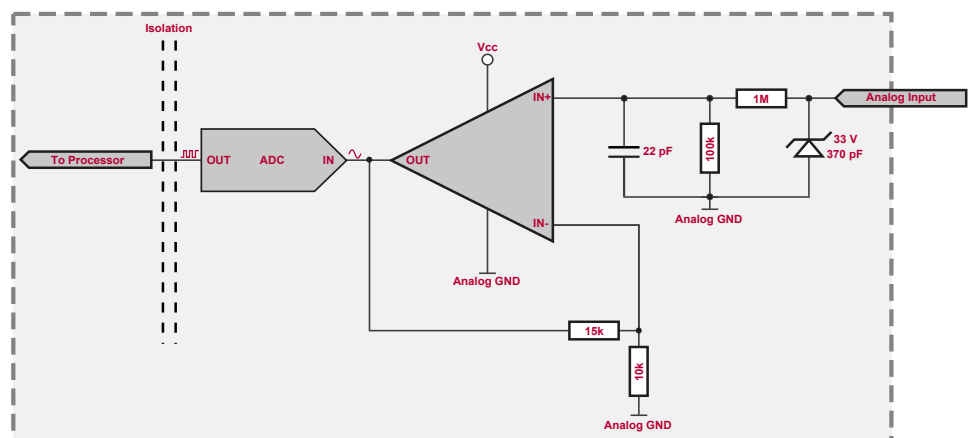


Figure 45: Analog input

Extended measuring range of the analog input

In normal operation, voltages up to 18 V can be applied and measured at the analog input. The cutoff frequency f_c (-3 dB) for AC voltages is approx. 7.2 kHz.

For measurements above 18 V (max. 50 V), an external series resistor has to be applied to the analog input. The series resistor R_{ext} depends on the input voltage U_{input} and can be calculated as follows:

$$R_{ext} [kOhm] = [(U_{input} * 0.61111) - 11] * 100$$

with $18 V < U_{input} \leq 50 V$

The cutoff frequency for AC voltages is also affected by the external series resistor:

$$f_c [Hz] = \frac{1}{2.33 * 10^{-6} * R_{ext} [kOhm]}$$

Examples

	24 V	32 V	36 V	48 V
R_{ext}	367 kΩ	856 kΩ	1100 kΩ	1833 kΩ
R_{ext} (E96)	374 kΩ (24.12 V)	866 kΩ (32.17 V)	1100 kΩ (36.00 V)	1870 kΩ (48.60 V)
f_c (-3 dB)	1148 Hz	496 Hz	390 Hz	230 Hz

2.6.9 Replacing Piggybacks



Caution!

Ensure an ESD safe working environment during disassembly and assembly. Avoid touching the top, bottom or connectors of the boards during this process to avoid ESD damage.



Step by Step Procedure

1. First, loosen the VN1640A housing screws on the side with the four D-SUB9 connectors. This requires removing the two black decorative caps. Then carefully pull the PC-board out of the housing.

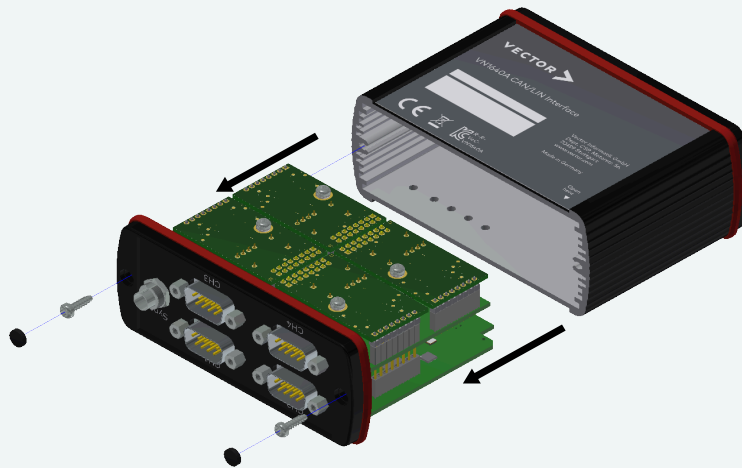


Figure 46: Opening the housing

2. The plug-in locations are defined as follows:

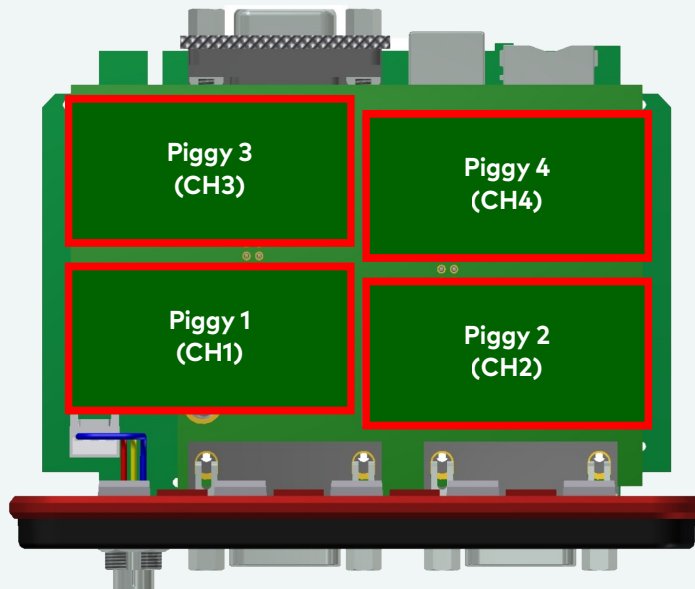


Figure 47: Piggyback plug-in locations CH1...CH4

3. Each piggyback is fastened by a screw and retainer. Please loosen the appropriate screw including the retainer and carefully remove the piggyback from the plug-in location.

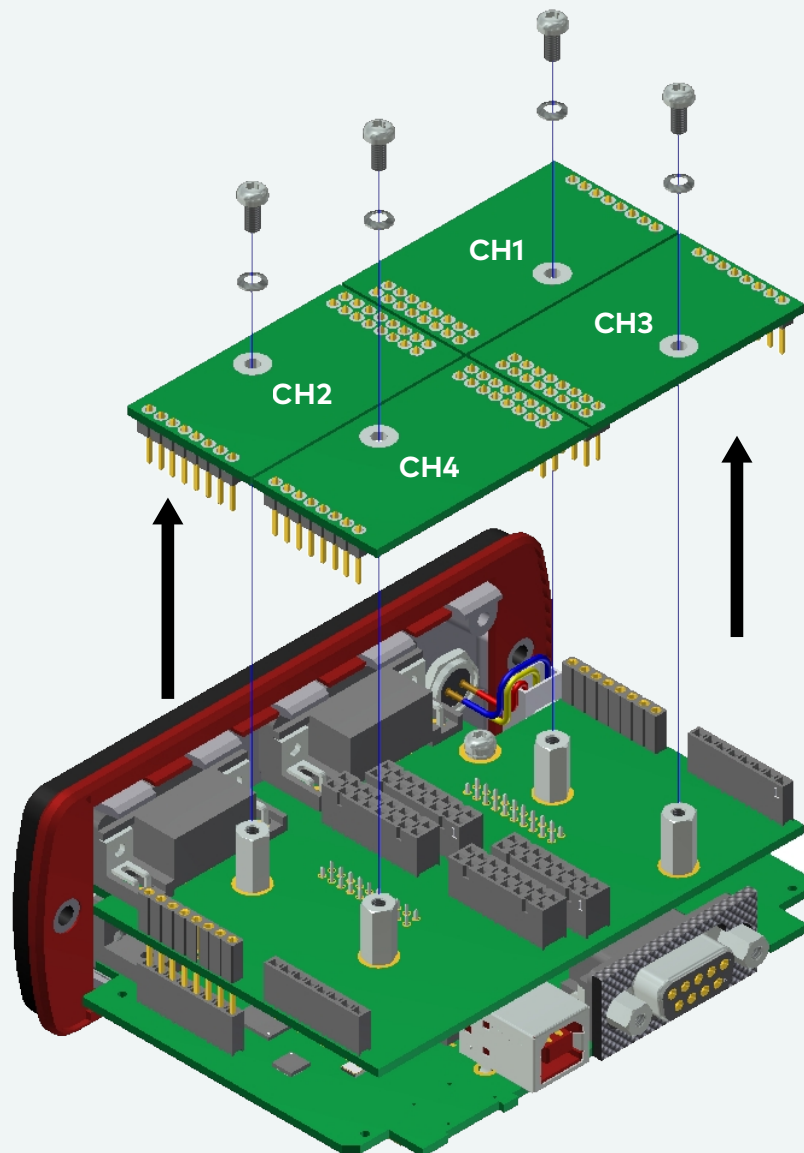


Figure 48: Unmount/mount piggybacks

4. Insert the replacement piggyback. When doing this please make sure that the single and dual-row connectors are not laterally offset.
5. Secure the new piggyback with the appropriate screw and retainer.

6. Place the VN1640A main board back in the housing. This operation involves placing the housing on a table with its back side (side with the bar code) facing upward. Then the main board with the piggybacks facing upward is inserted into the first guide rails.

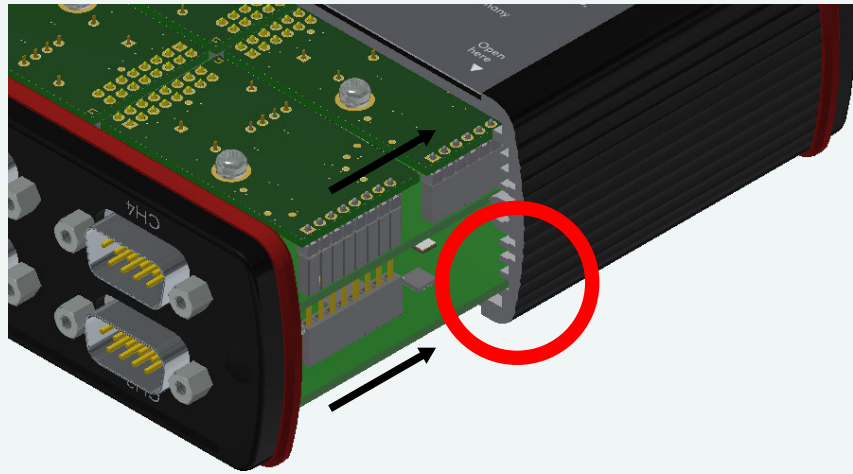


Figure 49: First guide rails

7. It should be possible to slide the main board in the housing up to a few millimeters from the end without forcing it in. Close the housing by applying light pressure and then secure it with the appropriate screw fasteners. The screws should be secure but not excessively tight.
8. Please also attach the two black decorative caps.
9. Connect the VN1640A and the computer via the USB cable and check the bus configuration in the **Vector Hardware Manager** (page **Device Properties**, **Status** mode).

2.6.10 Technical Data

CAN channels	Max. 4 configurable via piggybacks Bitrates <ul style="list-style-type: none"> - CAN: up to 1 Mbit/s (up to 2 Mbit/s depending on wiring and transceivers) - CAN FD: up to 5 Mbit/s (up to 8 Mbit/s depending on wiring and transceivers)
LIN channels	Max. 4 Bitrates <ul style="list-style-type: none"> - Normal-Mode: up to 20 kBit/s - Flash-Mode: up to 115.2 kBit/s (depending on wiring higher bitrates are possible)
K-Line channels	Max. 2 with LINpiggy 7269mag at CH1/CH2
J1708 channels	Max. 4 configurable via piggybacks
SENT channels	Max. 2 with SENSORpiggy SENT
Analog input	10 bit Input 0 V...18 V Voltage tolerance up to 50 V (with series resistor) Sampling rate up to 1 kHz
Digital input	Range 0 V...32 V Schmitt trigger high 2.7 V, low 2.2 V Hysteresis 0.5 V Input frequencies up to 1 kHz
Digital output	Open Drain External supply up to 32 V Current max. 500 mA Short circuit / over voltage protected
Time stamps	Accuracy (within one device): 1 μ s Accuracy software sync: typ. 50 μ s Accuracy hardware sync: typ. 1 μ s
Power consumption	Approx. 2.5 W
Temperature range	Operating: -40 °C...+70 °C Shipping and storage: -40 °C...+85 °C
Relative humidity of ambient air	15 %...95 %, non-condensing
Dimensions (LxWxH)	Approx. 88 mm x 111 mm x 45 mm
Weight	330 g (without accessories)
Operating system requirements	Windows 10 (x64, 64 bit) Windows 11 (x64, 64 bit)

2.6.11 USB Protector Type 1

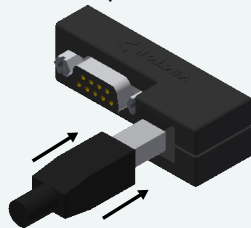
To protect the USB connector of VN1630A or VN1640A against mechanical damages, the USB Protector Type 1 (part number 05142) can be used. The USB Protector Type 1 is part of the standard delivery of VN1630A and VN1640A and available as accessory, too.



Step by Step Procedure

The following steps describe the mounting of the USB Protector:

1. Insert the USB cable into the USB Protector. Therefore, loosen the screw of the clamp.



2. Attach the USB Protector to the Vector network interface and connect the D-SUB9 connector as well as the USB connector.



3. Tighten the screws of the D-SUB9 connector.
4. Tighten the screw to fix the USB connector.

2.6.12 Accessories



Reference

Information on available accessories can be found in the separate accessories manual on our website.

- Bus transceiver**
 - ▶ CAN-/LINpiggies
 - ▶ J1708 Piggyback
 - ▶ SENT Piggyback

- Cables and connectors**
 - ▶ CANcable0
 - ▶ CANcable1
 - ▶ CANcableA
 - ▶ CANcable TnT
 - ▶ CANcable Y
 - ▶ CANterm 120
 - ▶ CANcable Set Pro
 - ▶ Vector SYNCcableXL
 - ▶ Vector SYNCcable50
 - ▶ Multi SYNCbox external
 - ▶ Multi SYNCbox internal
 - ▶ Multi SYNCbox active
 - ▶ Cable Binder 3pol Connector with Pigtail
 - ▶ USB Cable 2.0

- Miscellaneous**
 - ▶ Fix Kit 42mm Device
 - ▶ Protection Kit 1040
 - ▶ USB Protector Type 1

2.7 VN1670

2.7.1 Scope of Delivery

Contents

The delivery includes:

- ▶ VN1670 (incl. housing feets)
- ▶ USB Cable 3.1 Type A-C (Dual Screw Lock, part no. 05140)
- ▶ Vector Power Supply ODU MINI-SNAP (part no. 05068)

2.7.2 Main Features



Figure 50: VN1670

VN1670 features

The main features of the VN1670 interface are:

- ▶ Support of CAN XL¹, CAN FD, CAN 2.0 and LIN
- ▶ CAN XL
 - Support of CAN XL Error Signaling Enabled and Error Signaling Disabled
 - Supported on the piggyback channels
- ▶ CAN / CAN FD: Support of a Transport Protocol (TP) acceleration
- ▶ Max. 15 channels:
 - 5x on-board CAN/CAN FD channel (electrically decoupled)
 - 5x on-board LIN channel (electrically decoupled)
 - 5x additional plug-in location for CAN-/LINpiggies
- ▶ Digital and analog inputs/outputs via the new VNpiggy30 IO 8644³
- ▶ Synchronization of multiple devices and other bus systems like CAN XL, CAN FD, CAN, LIN, FlexRay, MOST, Ethernet
 - Software time synchronization (with USB host connection)

- Hardware time synchronization
- IEEE1588 – PTP (with Ethernet host connection)²
- ▶ Possibilities for stacking and mounting the devices
- ▶ Computer connection via
 - USB 3.1 Gen. 1 via USB Type C connector with screw lock
 - Gigabit Ethernet 1000BASE-T
- ▶ Standby mode for power saving (configurable via Vector Hardware Manager)
- ▶ Configurable temperature limit to avoid device overheating (configurable via Vector Hardware Manager)
- ▶ Transparent integration into the Vector tools (CANoe/CANalyzer, CANape, vFlash, ...)
- ▶ Licensor: provides Vector licenses
- ▶ Multi-application support for CAN XL/CAN FD/CAN channels: different tools can use one channel at the same time
- ▶ Support of customer applications via the free XL Driver Library (XL-API)
- ▶ Usage in car (passenger and luggage compartment)
- ▶ Operating temperature range: -40 °C...+65 °C
- ▶ Kensington Lock: possibility to secure the VN1670 with a Kensington NanoSaver®
- ▶ Functional Earth for optional connection of housing ground to system ground

1) Supported from driver version 23.20 on.

2) Supported from driver version 22.10 on.

3) Please contact Vector for information on scheduled availability.

2.7.3 Connectors Front Side

Device connectors

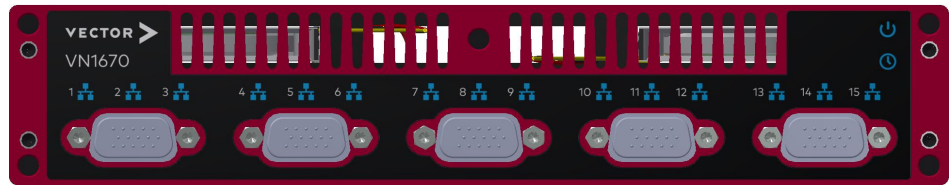


Figure 51: VN1670 connectors on front side

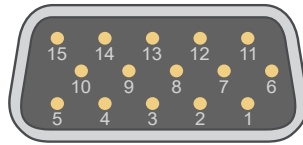
▶ CH1...CH15 (5x D-SUB15HD male)

The VN1670 has five D-SUB15HD connectors. Each connector provides three channels:

- 1x on-board CAN/CAN FD channel
- 1x on-board LIN channel
- 1x optional channel via a CAN, LIN piggyback.

D-SUB15HD	Channel	Channel Type
1	1	On-board CAN
	2	On-board LIN
	3	Optional piggyback
2	4	On-board CAN
	5	On-board LIN
	6	Optional piggyback
3	7	On-board CAN
	8	On-board LIN
	9	Optional piggyback
4	10	On-board CAN
	11	On-board LIN
	12	Optional piggyback
5	13	On-board CAN
	14	On-board LIN
	15	Optional piggyback

Pin assignment



VN1670			Vncable 3Y	
Channel	Assignment	D-SUB15HD	D-SUB9	Channel
CAN	CAN Low	14	2	A
	GND	10	3	
	CAN High	15	7	
	N.C.	5	9	
LIN	Pdis	3	2	B
	GND	9	3	
	LIN	4	7	
	Vbatt	13	9	
Piggy	N.C.	2	1	C
	CAN Low/Pdis*	1	2	
	GND	7	3	
	N.C.	11	4	
	CAN High/LIN*	6	7	
	N.C.	12	8	
	Vbatt*	8	9	

* via CAN- or LINpiggy



Note

Please use the Vncable3Y to split a D-SUB15HD connector into three separate D-SUB9 connectors (CAN: channel A, LIN: channel B and inserted piggyback at channel C). For more information, please refer to the accessories manual.



Note

For in-car-usage, ensure that the cables used for the CAN/LIN network access are appropriately fixed (not fixed by the VN1670 D-SUB connectors only).

2.7.4 Connectors Back Side

Device connectors

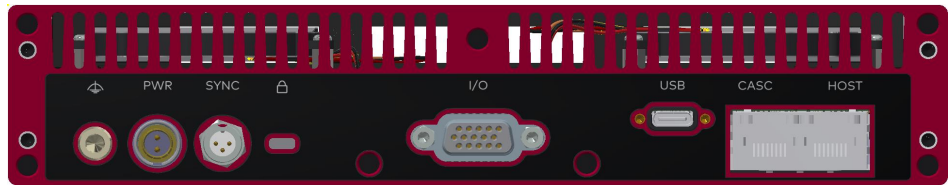


Figure 52: VN1670 connectors on back side

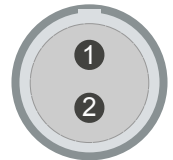
► **Functional Earth (FE)**

Optional connection of housing ground to system ground.

► **Power (ODU)**

For power supply, the VN1670 has a two-pin ODU connector (MINI-SNAP size 1, type GF1L0C-P02RP00-0000). Attach the enclosed power cable to power up the unit (matching ODU connector type S11L0C-P02NPL0-6200)

Pin	Assignment
1	Power supply (8 V ... 32 V)
2	Ground



► **Sync (Binder)**

The VN1670 has a sync connector (Binder type 711) which can be used for time synchronization of different Vector devices (see section [Time Synchronization](#) on page 100).

Pin	Assignment
1	Terminal 15
2	Synchronization line
3	Ground



► **Kensington Lock**

Mounting of Nano Kensington (NanoSaver).

▶ **IO (D-SUB15HD female)**

The VN1670 has a D-SUB15HD connector for the digital and analog input/output signals of the VNPiggy30 IO 8644. The pin assignment is as follows:

Pin	Assignment
1	Digital input/output 7
2	Digital input/output 5
3	Digital input/output 3
4	Analog GND
5	Analog input/output 2
6	Digital input/output 8
7	Digital input/output 6
8	Digital input/output 4
9	Digital GND
10	Analog input/output 3
11	Digital PWM
12	Digital input/output 1
13	Digital input/output 2
14	Analog input/output 4
15	Analog input/output 1

▶ **USB (Type-C)**

Connect your computer and the VN1670 via USB to install and to use the device with applications (e. g. CANoe, CANalyzer).

▶ **HOST (RJ45 connector)**

Connect your computer and the VN1670 via 100BASE-TX or 1000BASE-T to use the device with applications (e. g. CANoe, CANalyzer).

▶ **CASC (RJ45 connector)**

Reserved. Do not use.

2.7.5 LEDs

LEDs

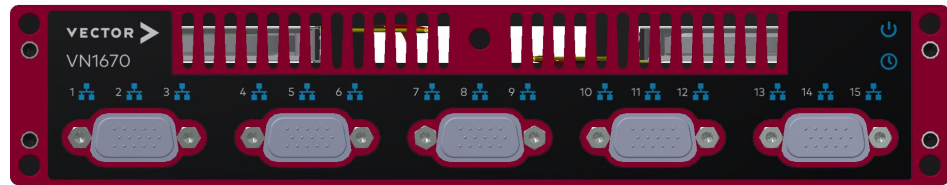


Figure 53: LEDs on front side

▶  **(CAN/LIN 1...15)**

Multicolored channel LEDs, each indicating the bus activity for CAN or LIN.

Color	Description
Green	Data frames have been sent or received correctly. The flashing frequency varies according to the message rate.
Orange	CAN: Error frames have been sent or received. LIN: Both valid and erroneous data were detected. The flashing frequency varies according to the message rate.
Red	CAN: Bus off. LIN: Only erroneous data was detected.

▶  **Sync**

LED illuminates if the device is synchronized.

Color	Sync State	Description
Off	Not configured.	No master or slave protocols are active for this device or no configuration has been loaded yet.
Orange	Configured, waiting for master.	A slave protocol is active, but no master could be found / assigned yet. The state is assumed when the PTP protocol Slave or Best-Master is activated in the firmware, i. e. when starting the PTP stack in the firmware or if one of the slave protocols was activated in the driver, i. e. when or after the configuration was applied by the Vector Timesync Service (vTSS).
Green (flashing)	Pending.	A slave protocol is active and a master was found or could be assigned. The SYNC condition / the steady state was not yet reached or was left again. <ul style="list-style-type: none"> ▶ PTP Transition to the Slave-With-Master state, but the SYNC condition has not yet been reached. ▶ HW-SYNC Pulse and master time present, but the SYNC accuracy has not yet been reached. ▶ SW-SYNC SYNC accuracy not yet reached.

Color	Sync State	Description
Green	In-sync.	SYNC condition reached and is met or only master protocols active on the interface.
Red	Failure.	<ul style="list-style-type: none"> ▶ PTP Master lost, SYNC accuracy not maintained. ▶ HW-SYNC Missing pulse, missing time information of the master, SYNC accuracy not maintained. ▶ SW-SYNC SYNC accuracy not maintained. <p>If the SYNC accuracy is not maintained but the master is present, this state is only maintained for three seconds, then the state changes to Pending.</p>

▶  **Status**

Multicolored LED indicating the device status.

Color	Description
Green	Flashes 4x at power up and illuminates afterwards. Flashes quicker during an update progress. Please wait for the automatic reboot of the device after the update has been finished. Afterwards the LED is permanent on.
Red	An error has occurred. Please disconnect the power supply as well as the USB or Ethernet cable. Re-connect the power supply and the USB/Ethernet cable and try again. Flashes when the max. temperature has been reached.

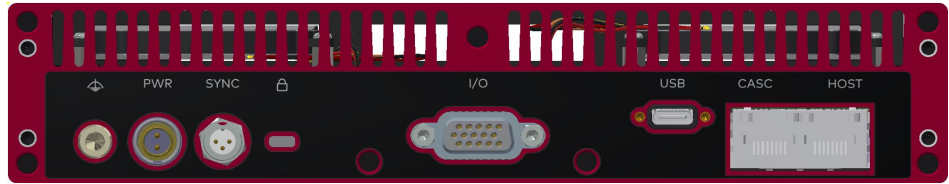


Figure 54: LEDs on back side

► **Ethernet HOST**

Multicolored LED indicating the Ethernet status.

Activity (left LED)	Description
Green	Activity.
Off	No activity.

Speed (right LED)	Description
Green	1000 Mbit/s
Orange	100 Mbit/s
Off	10 Mbit/s

2.7.6 Bus Configuration

Piggybacks

The VN1670 has five piggyback plug-in locations (CH3, CH6, CH9, CH12, CH15). Depending on use cases, electrically decoupled CAN SIC XL, CAN SIC, CAN High-Speed, CAN Low-Speed or LIN transceivers can be used.



Note

A list of compatible piggybacks can be found in the accessories manual or on our website.

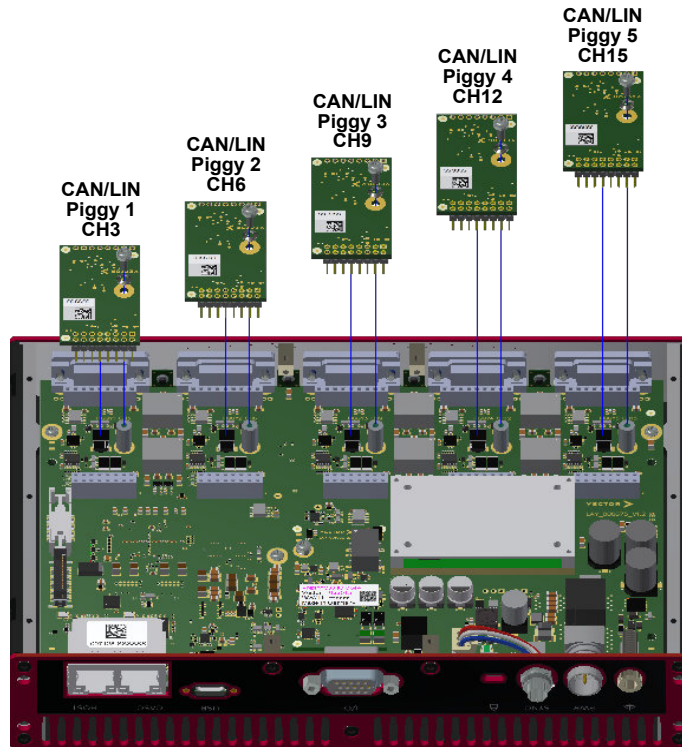


Figure 55: Piggyback plug-in locations

Configurations					
Channels	Piggy 1	Piggy 2	Piggy 3	Piggy 4	Piggy 5
10x CAN + 5x LIN	CAN1	CAN2	CAN3	CAN4	CAN5
9x CAN + 6x LIN	CAN1	CAN2	CAN3	CAN4	LIN1
8x CAN + 7x LIN	CAN1	CAN2	CAN3	LIN2	LIN1
7x CAN + 8x LIN	CAN1	CAN2	LIN3	LIN2	LIN1
6x CAN + 9x LIN	CAN1	LIN4	LIN3	LIN2	LIN1
5x CAN + 10x LIN	LIN5	LIN4	LIN3	LIN2	LIN1

Insertion order:

CANpiggyes starting with CH3 (Piggy 1) up to CH15 (Piggy 5).

LINpiggyes starting with CH15 (Piggy 5) down to CH3 (Piggy 1).

Empty piggyback sockets between CAN and LIN are accepted.



Note

Please use the VNCable3Y to split a D-SUB15HD connector into three separate D-SUB9 connectors (CAN: channel A, LIN: channel B and inserted piggyback at channel C). For more information, please refer to the accessories manual.

**Note****CAN XL Configuration**

The piggyback channels of the VN1670 support the CAN XL modes Error Signaling Enabled and Error Signaling Disabled:

▶ **CAN XL mode Error Signaling Enabled**

This operating mode is intended for bitrates up to 5 Mbit/s. To use this mode, a CAN High-Speed, a CAN SIC or a CAN SIC XL piggyback can be used.

▶ **CAN XL mode Error Signaling Disabled**

This operating mode is intended for bitrates above 5 Mbit/s. This requires a CAN SIC XL piggyback, which must be configured for transceiver Fast Mode.

The configuration of the CAN XL operating mode and the Fast Mode of the CAN SIC XL piggyback must be done in the application (e. g. CANoe, CANalyzer, CANape).

Please contact Vector for information on the planned availability of the CAN SIC XL piggyback.

**Caution!****Operating a CAN SIC XL piggyback in Fast Mode**

When using a CAN SIC XL piggyback in Fast Mode, the VN1670 is fully compliant with the corresponding EMC regulations starting with **hardware revision 3**.

Previous hardware revisions are not fully compliant to EMC regulations regarding radiation and therefore do not support an operation in Fast Mode.

Please contact Vector for further options if you have a VN1670 with hardware revision < 3 and intend to use a CAN SIC XL piggyback in Fast Mode.

2.7.7 Replacing Piggybacks



Caution!

Ensure an ESD safe working environment during disassembly and assembly. Avoid touching the top, bottom or connectors of the boards during this process to avoid ESD damage.



Step by Step Procedure

1. First, loosen the VN1670 housing screws on the bottom. Then carefully remove the cover.

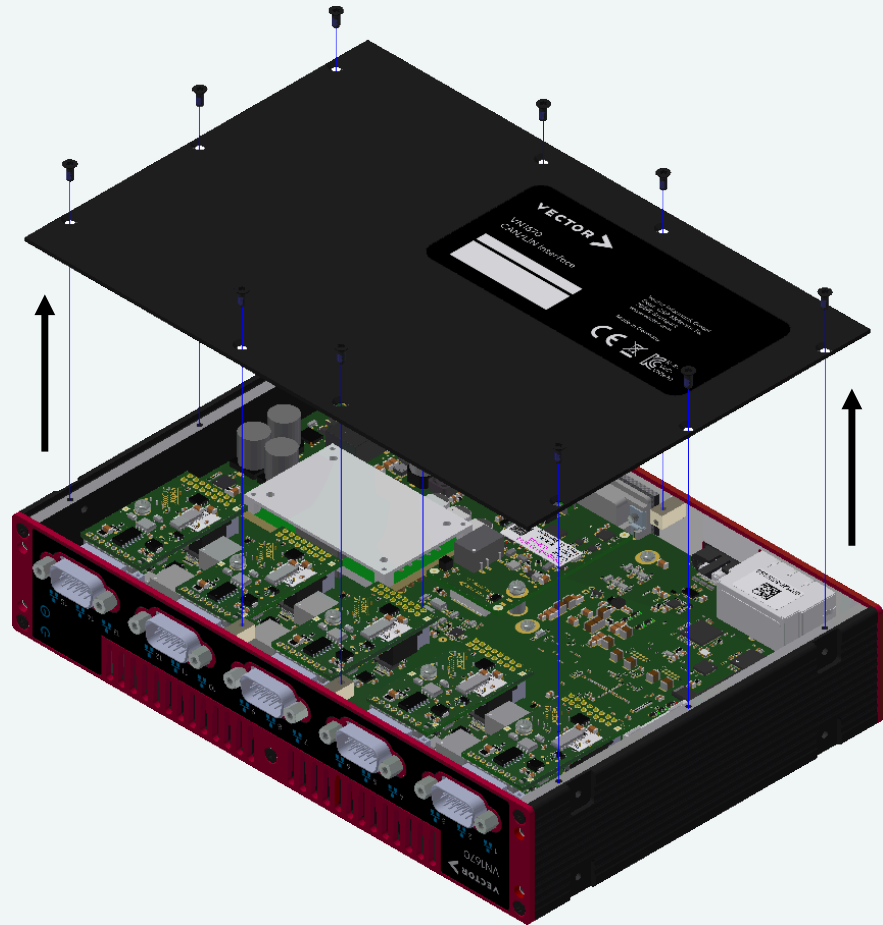


Figure 56: Opening the housing

2. The plug-in locations are defined as follows:

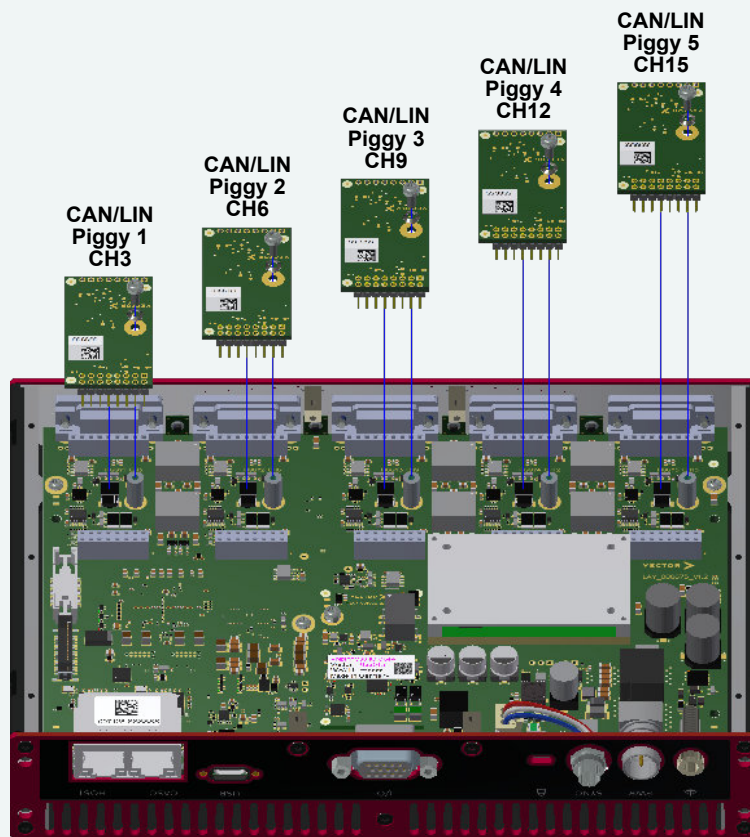


Figure 57: CAN/LIN piggyback plug-in locations

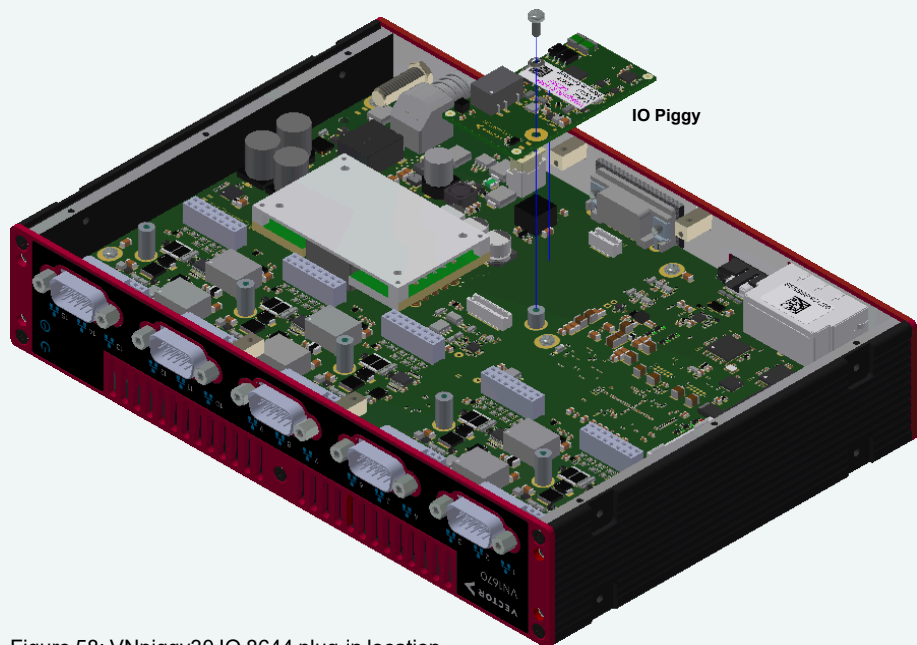


Figure 58: VNpiggy30 IO 8644 plug-in location

3. Each piggyback is fastened by a screw and retainer. Please loosen the appropriate screw including the retainer and carefully remove the piggyback from the plug-in location.

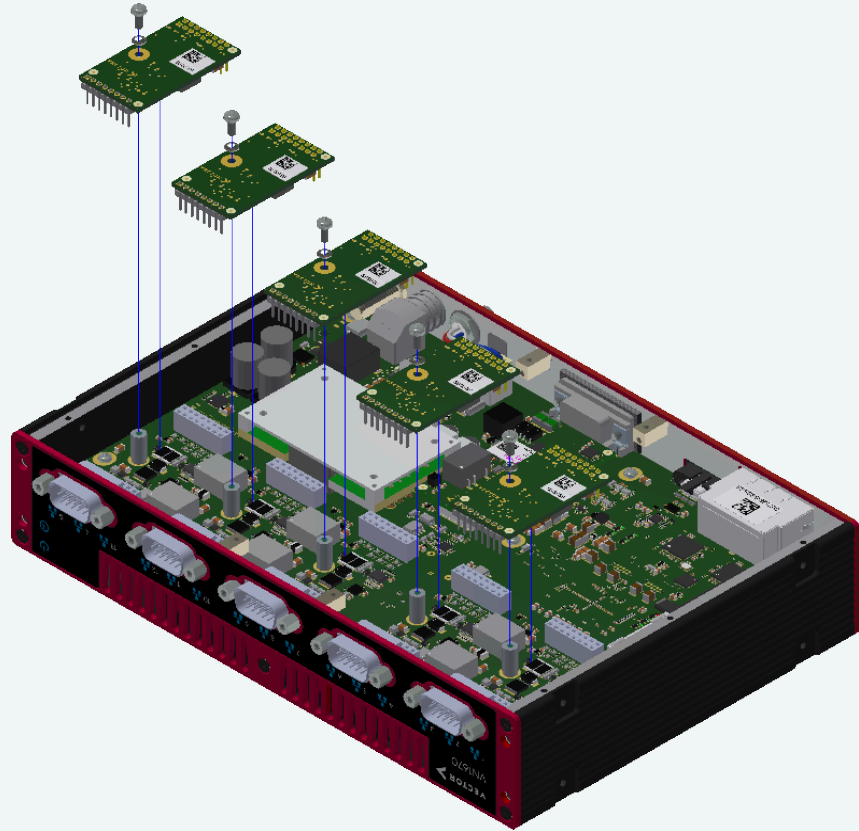


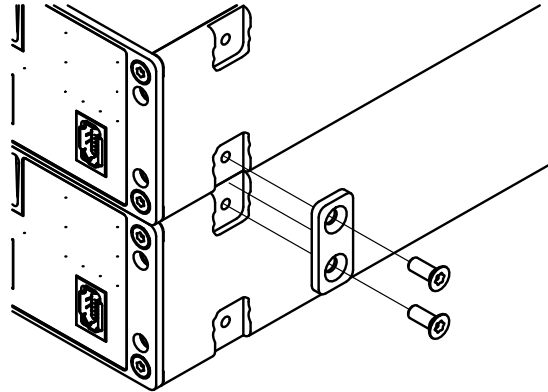
Figure 59: Unmount/mount piggybacks

4. Insert the replacement piggyback. When doing this please make sure that the single and dual-row connectors are not laterally offset.
5. Secure the new piggyback with the appropriate screw and retainer.
6. Reattach the bottom cover and then secure it with the appropriate screw fasteners. The screws should be secure but not excessively tight.
7. Power the VN1670, connect the device with the host and check the bus configuration in the **Vector Hardware Manager** (page **Device Properties, Status** mode).

2.7.8 Device Stacking

Due to the design of the system housing, several VN1670 and VN5650/VN5240 can be directly stacked. This is supported by the side recesses on the housing.

To further increase the mechanical stability of stacked devices, the mounted feet can be removed and replaced by the VSH Connecting Kit Vertical (see accessories manual, part number 05152).



2.7.9 Standby Operation

Activating the standby feature

The device supports a standby mode which can be activated via the **Vector Hardware Manager** | Device Properties Configuration.

The standby feature can be used by monitoring one of the following standby sources:

- ▶ the USB (Type A) host interface (via USB Type A-C cable only),
- ▶ the Ethernet host interface or
- ▶ the corresponding IO pin (terminal 15, pin 1 on the **Sync** connector).

Pin	Assignment
1	Terminal 15
2	Synchronization line
3	Ground



If the USB or Ethernet connection is interrupted (e. g. cable disconnected) or terminal 15 is set (0 V), the interface is set to standby after a certain time. The timeout can be set in **Vector Hardware Manager** | Device Properties Configuration.

If the USB or Ethernet connection is active again or terminal 15 is reset (rising edge to 12 V), the interface wakes up again.



Reference

Please find the power consumption values in section **Technical Data** on page 87.



Note

Some Ethernet network adapters (e. g. Intel I219-LM) support an Ultra Low Power Mode (please check the power management settings of the Ethernet network adapter of your host computer).

If the Ultra Low Power Mode is enabled, the VN1670 will not wake up from standby. Therefore, the Ultra Low Power Mode of the host computer's Ethernet port must be disabled if Ethernet is configured as the standby source for VN1670.

2.7.10 Technical Data

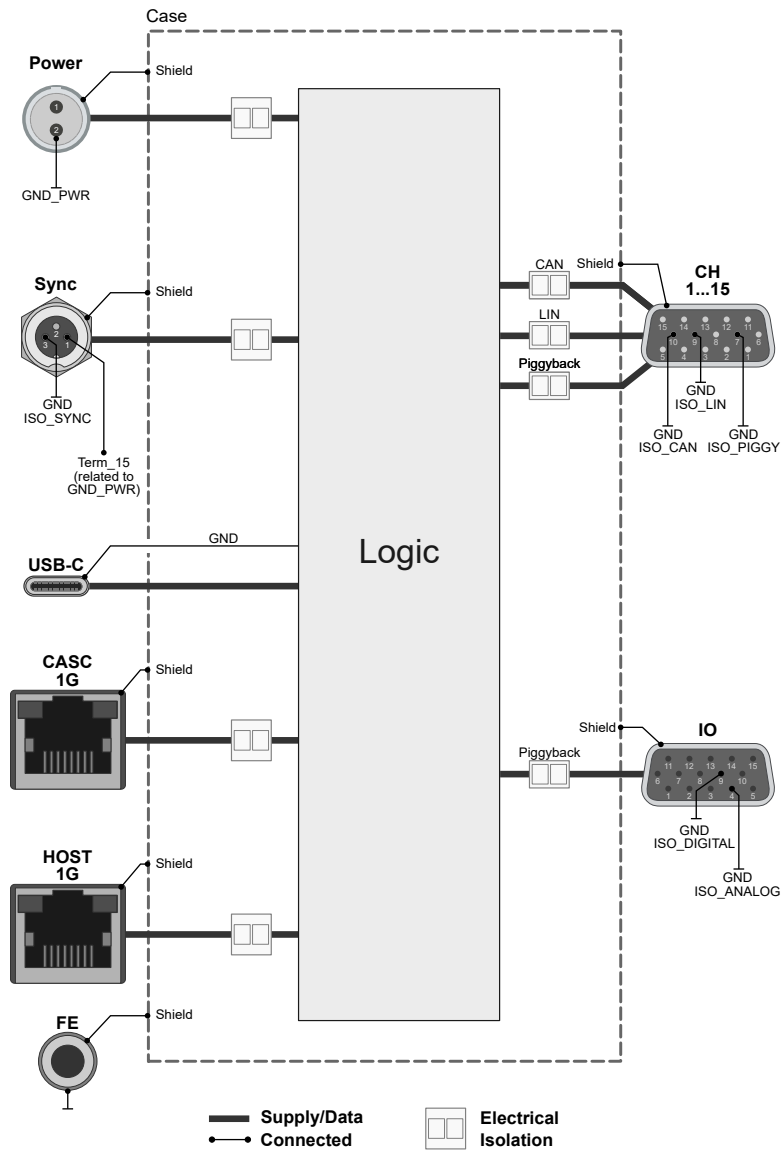
CAN channels	<p>Max. 10</p> <p>5x on-board CAN/CAN FD</p> <ul style="list-style-type: none"> - NXP TJA1057GT - electrically decoupled <p>5x configurable via piggybacks</p> <p>Bitrates</p> <ul style="list-style-type: none"> - CAN: up to 1 Mbit/s (up to 2 Mbit/s depending on wiring and transceivers) - CAN FD: up to 5 Mbit/s (up to 8 Mbit/s depending on wiring and transceivers) - CANXL: up to 16 Mbit/s (up to 20 Mbit/s depending on wiring and transceivers; for bitrates > 5 Mbit a CAN SIC XL transceiver is required)
LIN channels	<p>Max. 10</p> <p>5x on-board LIN</p> <ul style="list-style-type: none"> - Infineon TLE7259-3 - electrically decoupled <p>5x configurable via piggybacks</p> <p>Bitrates</p> <ul style="list-style-type: none"> - Normal-Mode: up to 20 kBit/s - Flash-Mode: up to 115.2 kBit/s (depending on wiring higher bitrates are possible)
Digital/analog input/output	Via VNpiggy30 IO 8644 (optional)
Time stamps	<p>Accuracy (within one device): 1 µs</p> <p>Accuracy software sync: typ. 50 µs</p> <p>Accuracy hardware sync: typ. 1 µs</p> <p>Accuracy IEEE1588 – PTP: typ. 1 µs</p>
Host computer connection	<p>USB 3.1 Gen. 1 via USB Type-C</p> <p>Gigabit Ethernet 1000BASE-T</p>
Power supply	External 8 V...32 V (typ. 12 V)
Power consumption	<p>Typ. 10 W¹⁾</p> <p>Max. 16 W²⁾</p> <p>Standby: 35 mW</p>
Temperature range	<p>Operation: -40 °C ... +65 °C</p> <p>Storage: -40 °C ... +85 °C</p>
Relative humidity of ambient air	15 %...95 %, non-condensing
Dimensions (LxWxH)	159 mm x 219 mm x 54 mm (height with housing feet)
Weight	1.4 kg
Operating system requirements	<p>Windows 10 (x64, 64 bit)</p> <p>Windows 11 (x64, 64 bit)</p>
Required CANoe version	<p>CANoe 15 SP3 or higher</p> <p>CANoe 17 or higher for CAN XL</p>

- 1) Setup: 10x CAN (1 Mbit, 100 % busload), 1x LIN, USB host connection, 25 °C ambient temperature, 12 V external supply.
- 2) Setup: 10x CAN (1 Mbit, 100 % busload), 5x LIN, Ethernet host connection, VNpiggy30 IO 8644 at full load, cascading port at high load, +65 °C ambient temperature.

2.7.11 Electrical Isolation

2.7.11.1 Connectors

Electrical isolation of the connectors



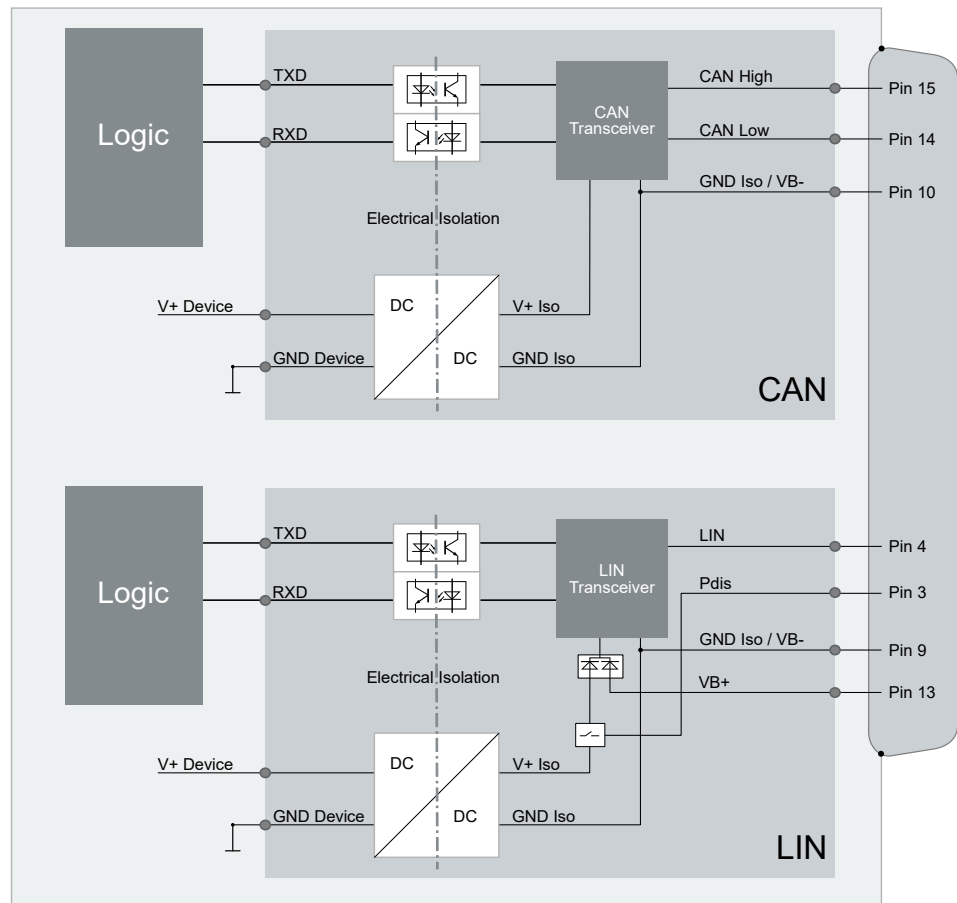
Note

Please note that the shield of the USB-C connector has the same potential as the logic ground of the device and that this is isolated from the housing ground of the device. This is to avoid ground loops when used with a computer system without an electrically isolated power supply.

The FE socket of the device must be connected to the user-side system ground when the device is operated in the vehicle.

2.7.11.2 On-board Channels

Electrical isolation of the on-board channels



2.7.11.3 Piggybacks



Reference

For information on the electrical isolation of the piggybacks, please refer to the separate accessories manual.

2.7.12 Accessories



Reference

Information on available accessories can be found in the separate accessories manual on our website.

- Bus transceiver**
 - ▶ CAN-/LINpiggies

- Cables and connectors**
 - ▶ VNCable 3Y
 - ▶ CANterm 120
 - ▶ Vector SYNCcableXL
 - ▶ Vector SYNCcable50
 - ▶ Multi SYNCbox external
 - ▶ Multi SYNCbox active
 - ▶ Cable Binder 3pol Connector with Pigtail
 - ▶ USB Cable 3.1 Type C-C (Dual Screw Lock)
 - ▶ Ethernet cables

- Power supply**
 - ▶ Vector Power Supply ODU Mini-Snap
 - ▶ Cable Vehicle Input <> ODU Mini-Snap
 - ▶ Cable Banana Plug <> ODU Mini-Snap

- Miscellaneous**
 - ▶ VSH Connecting Kit 19"
 - ▶ VSH Connecting Kit Horizontal
 - ▶ VSH Connecting Kit Vertical
 - ▶ VSH Equipment Foot Kit
 - ▶ VSH Mounting Flange

3 Getting Started

In this chapter you find the following information:

3.1 Driver Installation	93
3.1.1 General Information	93
3.1.2 Installation Instructions	93
3.2 Vector Hardware Manager	95
3.2.1 Hardware Configuration	95
3.2.2 Tool Location and Help	95
3.2.3 For VN1630 log Users	96
3.3 Loop Tests	97
3.3.1 CAN	98

3.1 Driver Installation

3.1.1 General Information

The **Vector Driver Setup** allows the installation or the removal of Vector devices.

**Note**

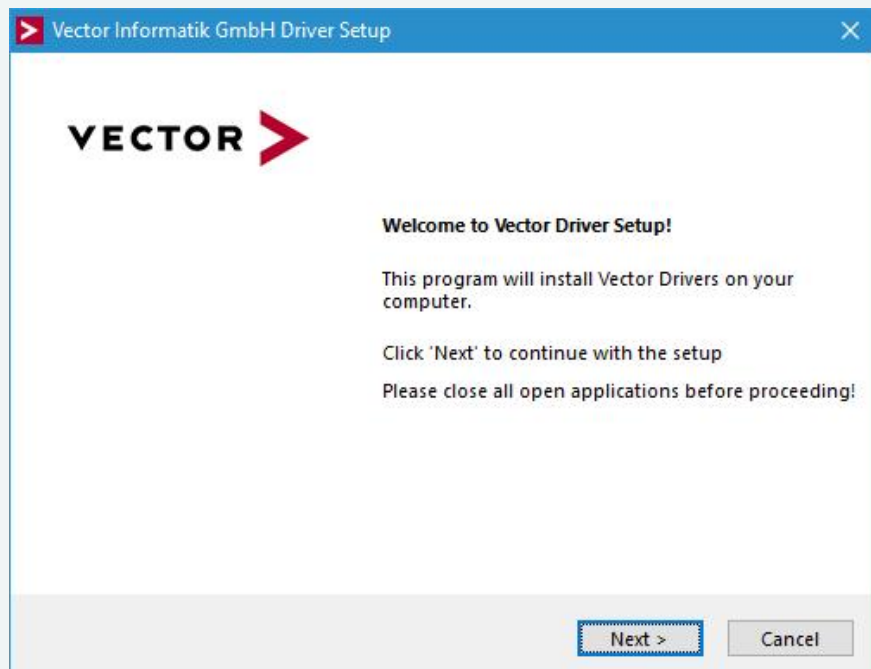
Please note that you will need **Administrator Rights** for the following steps.

3.1.2 Installation Instructions

**Step by Step Procedure**

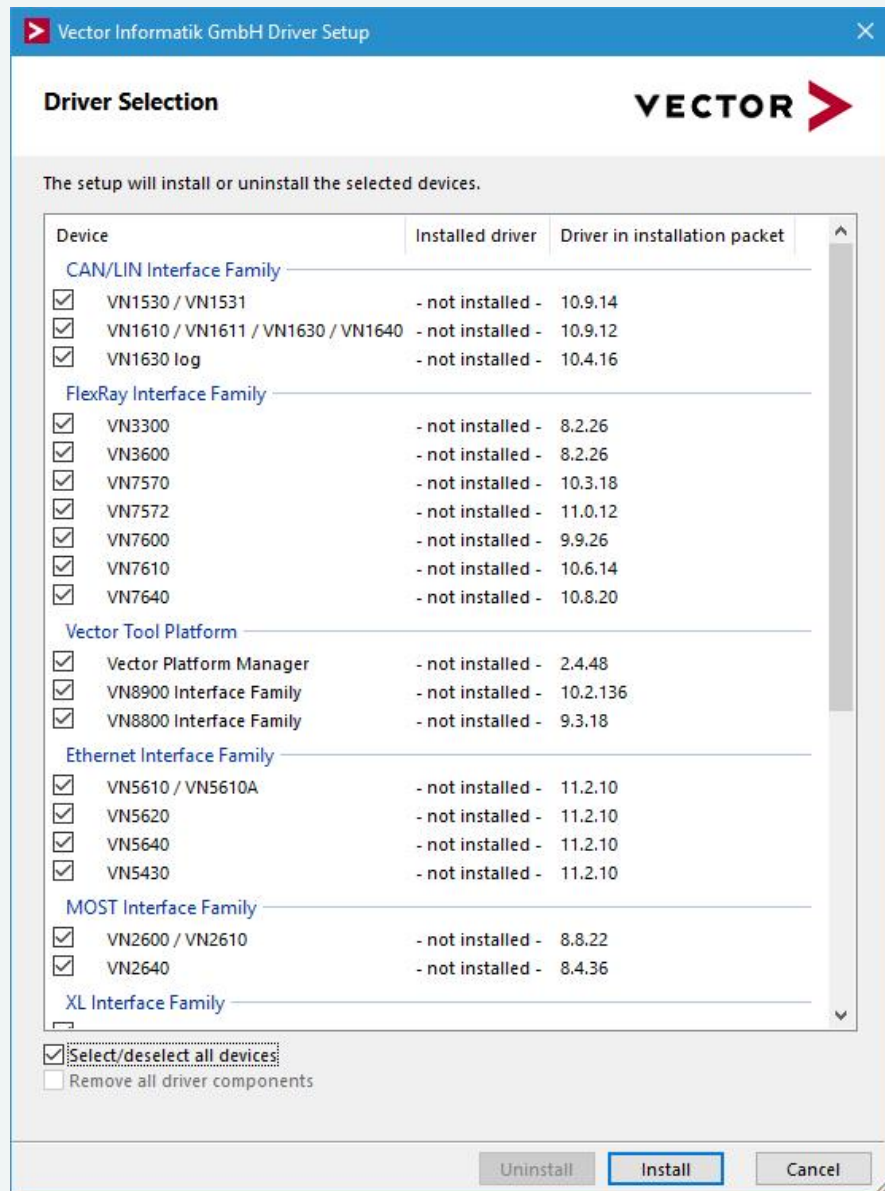
1. Execute the driver setup `\Drivers\Setup.exe` before the device is connected to the PC with the included USB cable.

If you have already connected the device to the PC, the **Windows found new Hardware** wizard appears. Close this wizard and then execute the driver setup.



2. Click **[Next]** in the driver setup dialog. The initialization process starts.

3. In the driver selection dialog, select your devices to be installed (or to be uninstalled).



4. Click **[Install]** to execute the driver installation, or **[Uninstall]** to remove existing drivers.
5. A confirmation dialog appears. Click **[Close]** to exit. After successful installation, the device is ready for operation and can be connected to the PC with the included USB cable.



Reference

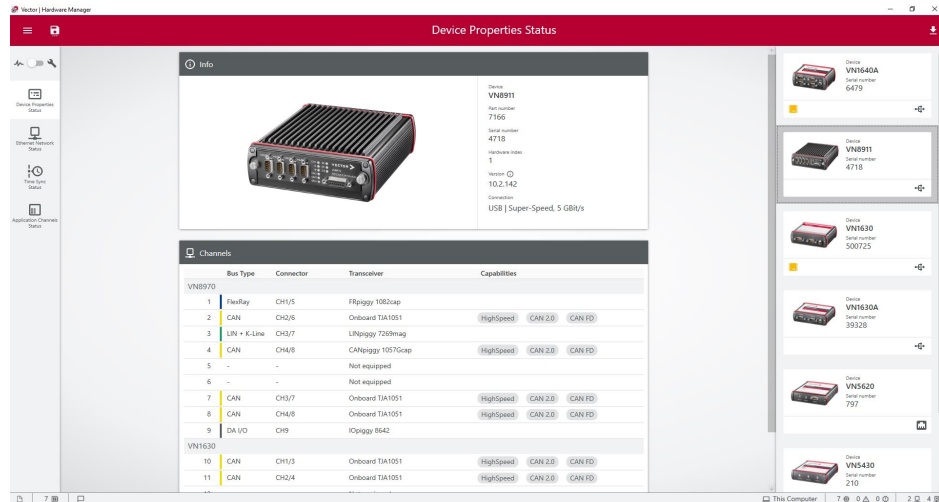
If you want to connect your computer and the device via Ethernet instead of USB, the device must be configured via the Vector Hardware Manager. A detailed description can be found in section **Tips and Tutorials** of the **Vector Hardware Manager** help.

3.2 Vector Hardware Manager

3.2.1 Hardware Configuration

General information

The **Vector Hardware Manager** is the successor of the Vector Hardware Config tool and a newly developed configuration and diagnostic tool for your installed Vector devices. It is strongly needed to set up your Vector devices for use with your Vector applications (e. g. CANoe, CANalyzer, CANape, XL API applications, ...).



3.2.2 Tool Location and Help

After successful driver installation of your Vector device, you will find the Vector Hardware Manager in the Windows Start menu or in the installation folder:
`C:\Program Files (x86)\Vector Hardware Manager\vHardwareManager.exe`



Reference

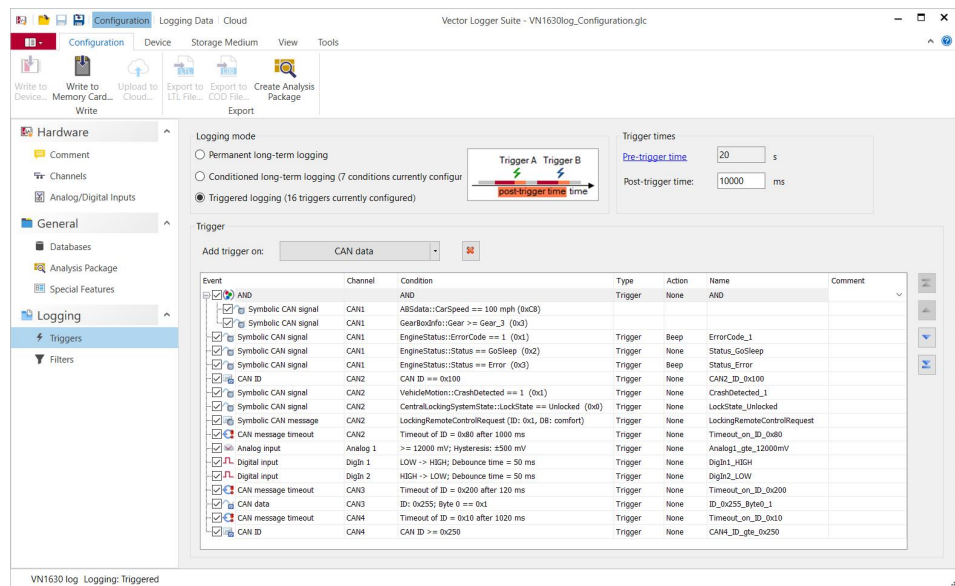
Details, tips and instructions for the Vector Hardware Manager can be found in the supplied help. You can open the help by pressing **<F1>** in the Vector Hardware Manager or directly via:

`C:\Program Files (x86)\Vector Hardware Manager\Help01\HTML5\VectorHardwareManager.htm`

For a brief introduction, we recommend reading the sections **Basic Concept** and **Quick Start Guide**. Furthermore, we have provided additional information for you in the section **Tips and Tutorials**.

3.2.3 For VN1630 log Users

For logging, the VN1630 log requires an additional configuration tool (Vector Logger Suite). Please follow the instructions below to install the tool.



Step by Step Procedure

The Vector Logger Suite can be installed as a 64-bit program. Due to the larger address space, the 64 bit variant can process very extensive databases. The 64 bit version can only be installed on 64 bit operating systems.

The Vector Logger Suite is installed as follows:

1. Execute the setup which is found on the driver disk:
`.\Tools\VN1630_log\Setup_VLSuite_64Bit.exe.`
2. Please, follow the instructions in the setup program to complete the installation.
3. After successful installation, the Vector Logger Suite can be found in the start menu (if selected during installation).



Reference

Further information can be found in the separate manual provided with the **Vector Logger Suite**.

3.3 Loop Tests

Operation test

The test described here can be performed to check the functional integrity of the driver and the device. This test is identical for **Windows 10 / Windows 11** and independent of the used application.

3.3.1 CAN

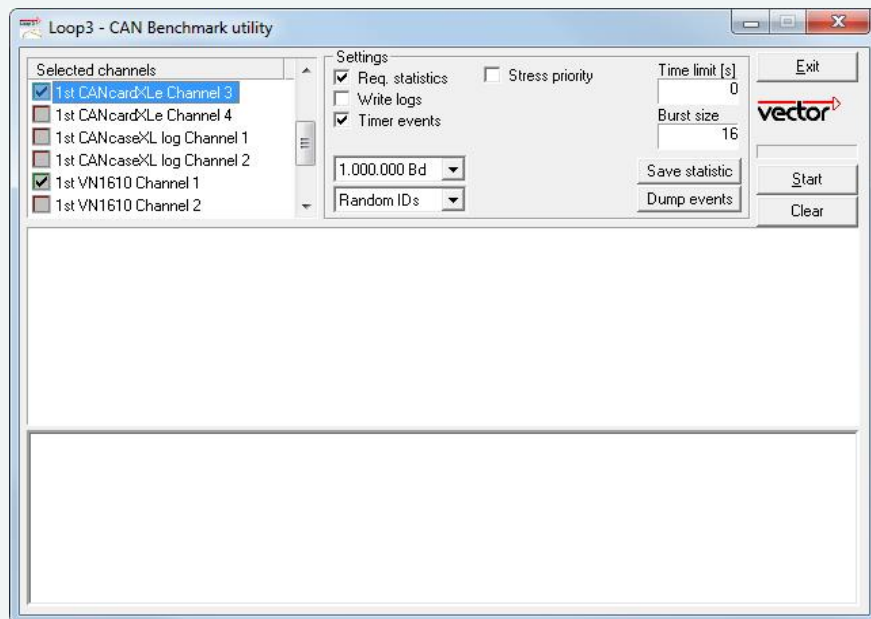
Device test

The operating test for CAN requires either two high-speed or two low-speed transceivers and can be executed as follows:



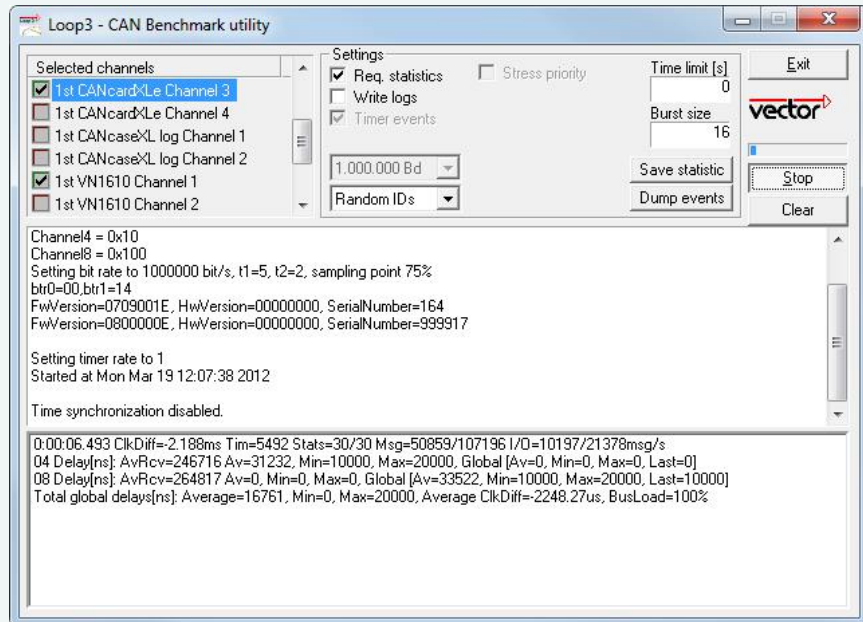
Step by Step Procedure

1. Connect two CAN channels with a suitable cable.
If two high-speed transceivers are being used, we recommend our **CANcable1** (**CANcable0** for low-speed transceivers).
2. Start `\Drivers\Common\Loop3.exe` from the **Vector Driver Setup**.
This program accesses the Vector devices and transmits CAN messages.

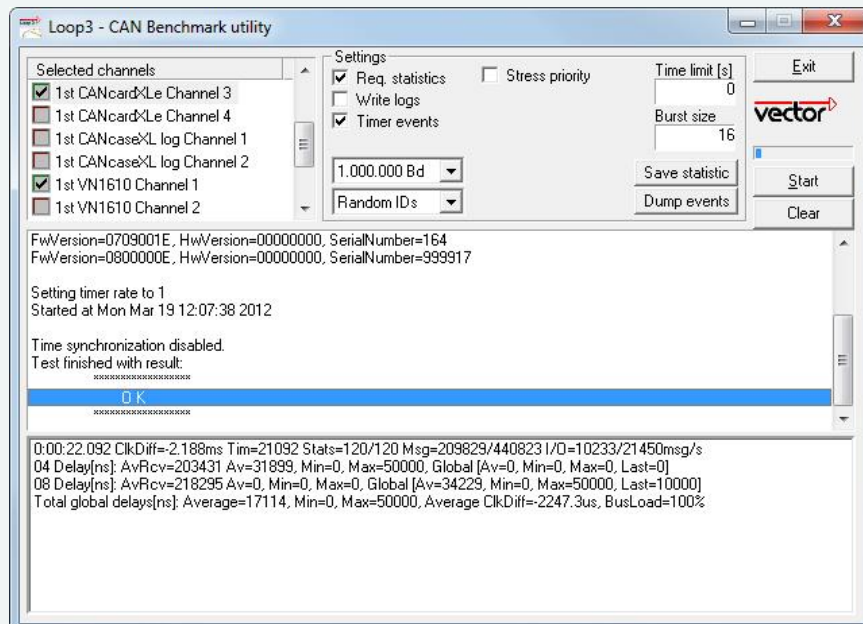


3. Select the connected CAN channels of the device(s) to be tested.

4. Set the appropriate baudrate depending on the transceiver being used (high-speed max. 1,000,000 Bd, low-speed max. 125,000 Bd).
5. Click **[Start]**.
6. You will see statistical data in the lower part of the window if the system has been configured properly.



7. The test procedure can be terminated with the **[Stop]** button. An **OK** should appear in the upper part of the window.



4 Time Synchronization

In this chapter you find the following information:

4.1 General Information	101
4.2 Software Sync	103
4.2.1 General Information	103
4.2.2 Configuration	103
4.3 Hardware Sync	104
4.3.1 General Information	104
4.3.2 Configuration	105
4.4 Precision Time Protocol Sync	106
4.4.1 General Information	106
4.4.2 Supported Features	106
4.4.3 Network Topology	107
4.4.4 Configuration	107

4.1 General Information

Time stamps and events

Time stamps are useful when analyzing incoming or outgoing data or event sequences on a specific bus.

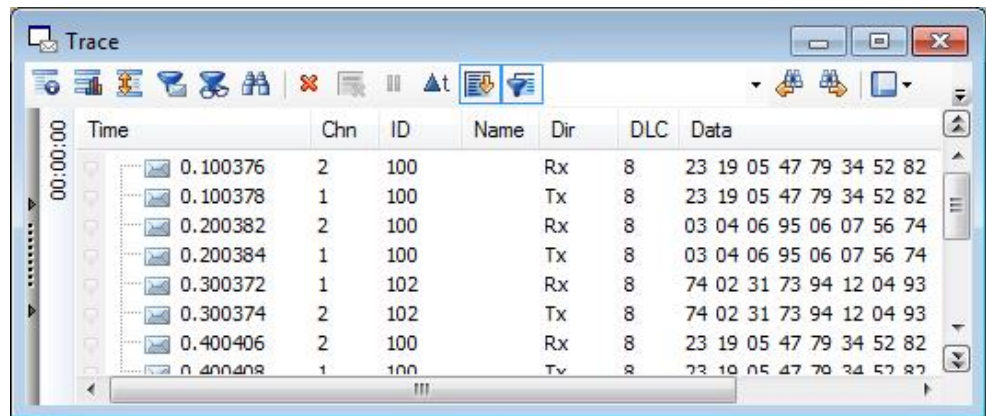


Figure 60: Time stamps of two CAN channels in CANalyzer

Generating time stamps

Each event which is sent or received by a Vector network interface has an accurate time stamp. Time stamps are generated for each channel in the Vector network interface. The base for these time stamps is a common hardware clock in the device.

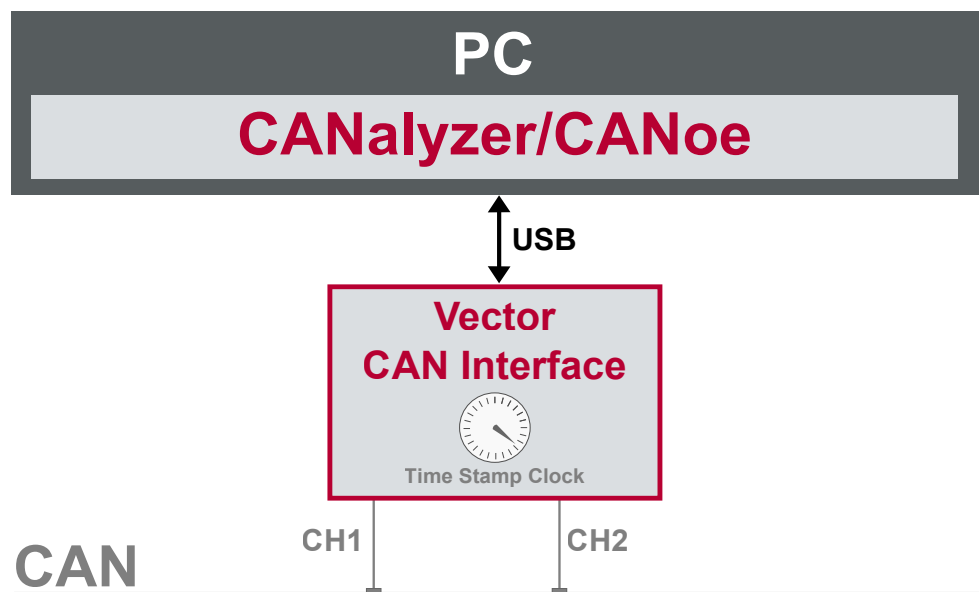


Figure 61: Common time stamp clock for each channel

If the measurement setup requires more than one Vector network interface, a synchronization of all connected interfaces and their hardware clocks is needed.

Due to manufacturing and temperature tolerances, the hardware clocks may vary in speed, so time stamps of various Vector devices drift over time.

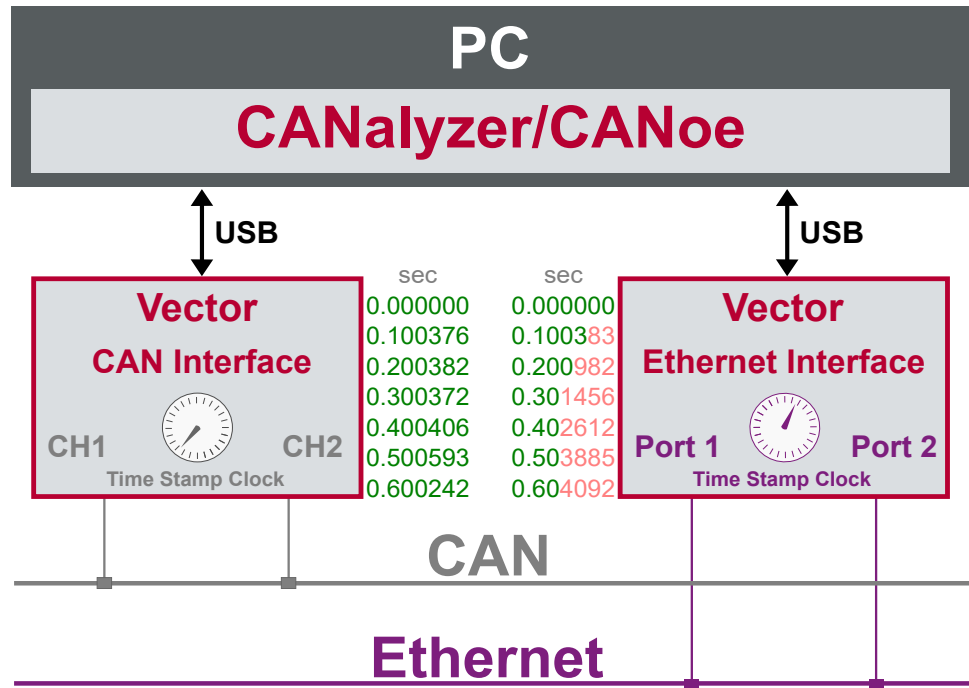


Figure 62: Example of unsynchronized network interfaces. Independent time stamps drift apart

To compensate for these time stamp deviations between the Vector network interfaces, the time stamps can be either synchronized by software, hardware, PTP or GNSS (capability depends on the Vector device).



Note

The accuracy of the software, hardware, PTP or GNSS sync depends on the interface. Further information on specific values can be found in the technical data of the respective devices.

4.2 Software Sync

4.2.1 General Information

Synchronization by software

The software time synchronization is driver-based and available for all applications without any restrictions. The time stamp deviations from different Vector network interfaces are calculated and synchronized to the common PC clock. For this purpose no further hardware setup is required.

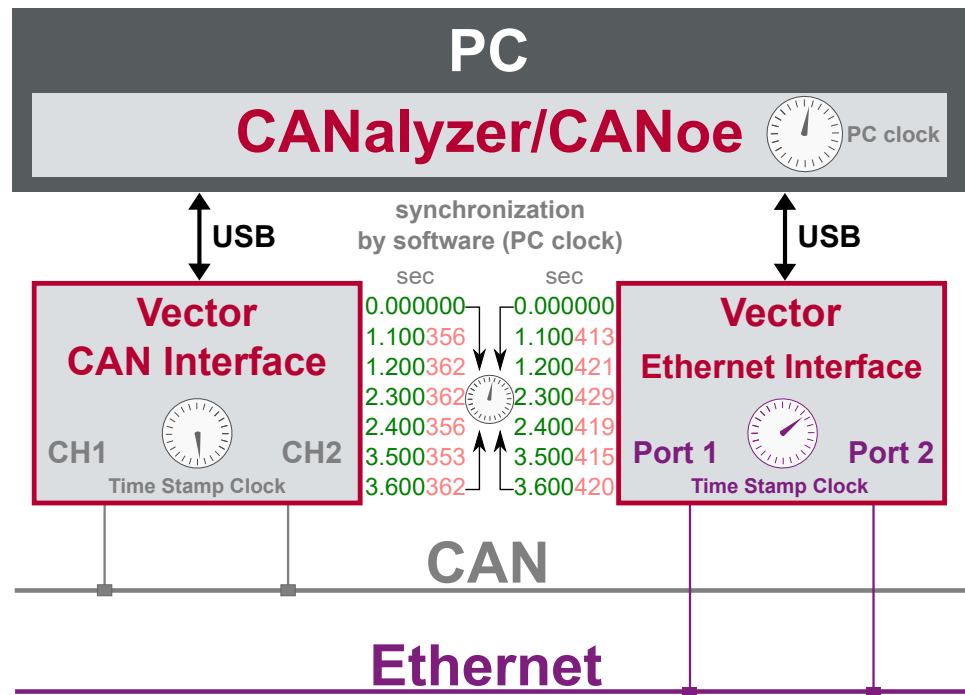


Figure 63: Time stamps of devices are synchronized to the PC clock



Note

Software time synchronization may lead to an increased latency for all connected Vector network interfaces. If a case requires low latency, deactivate this option and use another synchronization mechanism.

4.2.2 Configuration

Vector Hardware Manager

Use the software synchronization if at least one device has no hardware sync connector. Also to synchronize the device clock to the computer time, use the software synchronization (legacy).



Reference

Further details and tips on the time sync configuration can be found in the Vector Hardware Manager help in section **User Interface | Navigation Rail | Time Sync**.

4.3 Hardware Sync

4.3.1 General Information

Synchronization by hardware

A more accurate time synchronization of multiple devices is provided by the hardware synchronization. Two Vector network interfaces can therefore be connected with the SYNCcableXL (see accessories manual, part number 05018).

In order to synchronize up to five devices at the same time, a distribution box is available (see accessories manual, part number 05085).

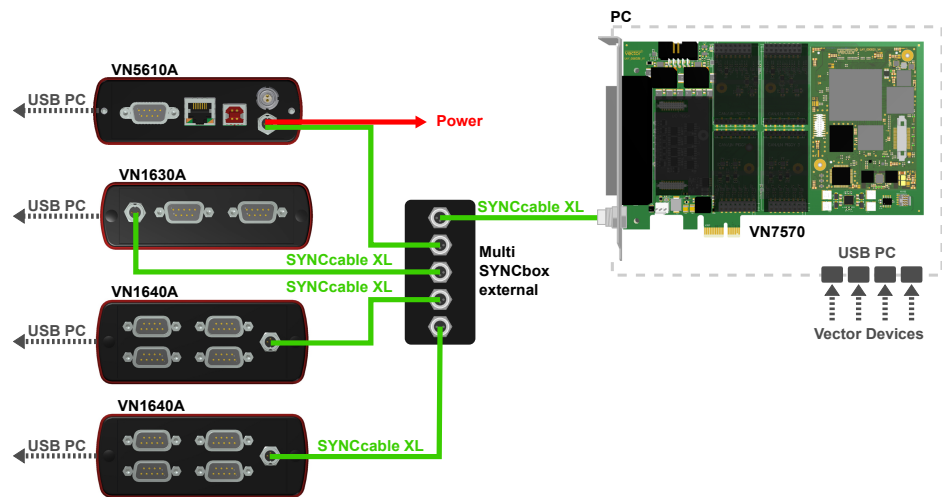


Figure 64: Example of a time synchronization with multiple devices

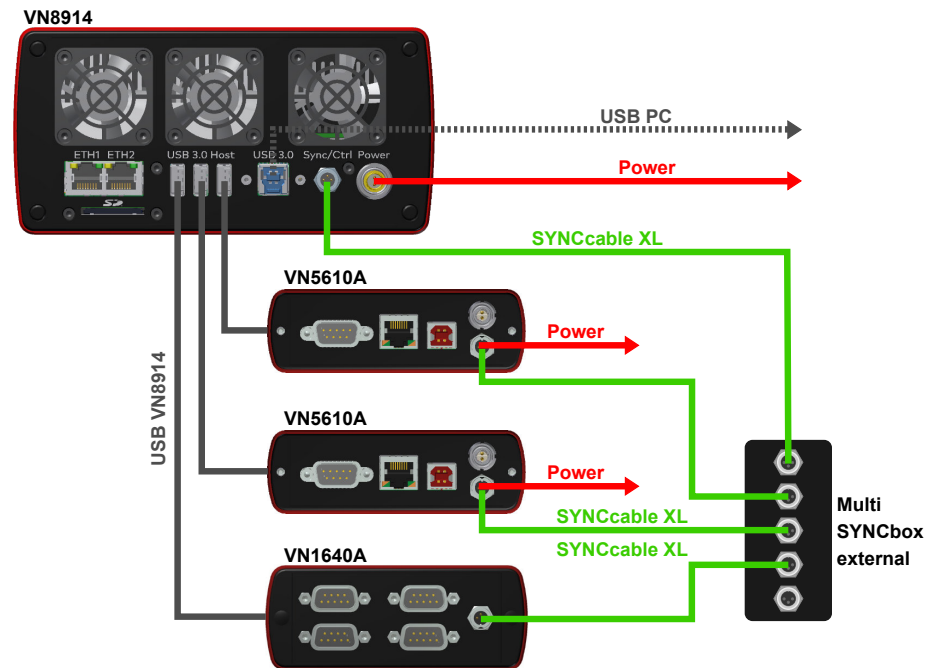


Figure 65: Example of a time synchronization with VN8914 and additional devices

At each falling edge on the sync line which is initiated by the driver, the Vector network interface generates a time stamp that is provided to the driver. This allows the driver to calculate the deviations between the network interfaces and to synchronize

the time stamps to a common time base (master clock) which can be defined by the user.

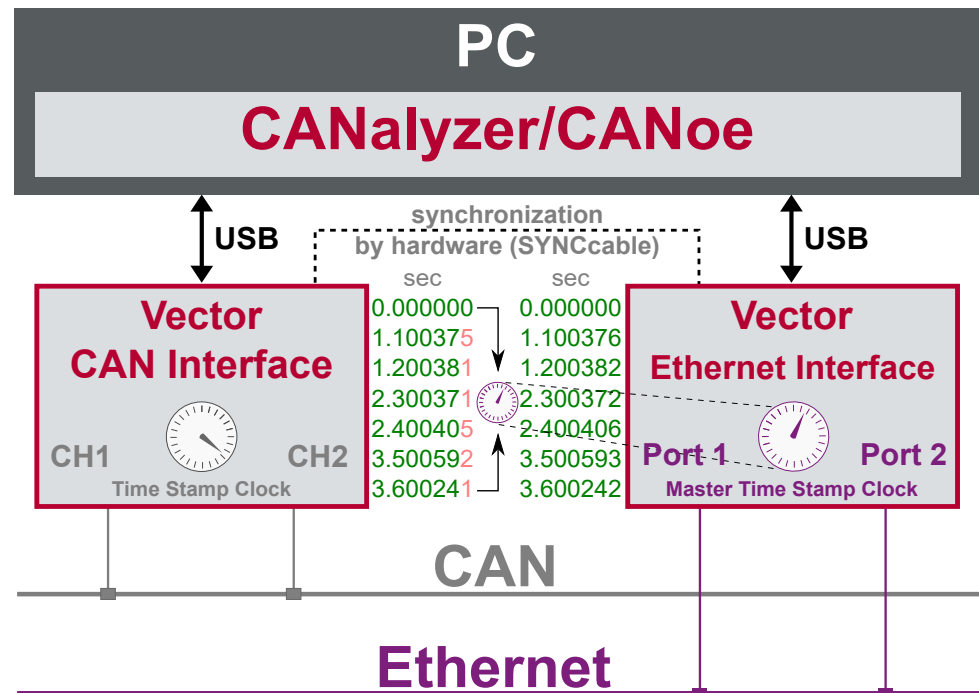


Figure 66: Time stamps are synchronized to the master clock

4.3.2 Configuration

Vector
Hardware Manager

Use hardware synchronization if at least one device is connected with USB or PCIe to the PC and all devices are hardware sync capable. One device should be configured as master and all other devices as slaves. Therefore, all devices must be interconnected with SYNCcableXL and Multi SYNCbox external or SYNCbox active.



Reference

Further details and tips on the time sync configuration can be found in the Vector Hardware Manager help in section **User Interface | Navigation Rail | Time Sync**.

4.4 Precision Time Protocol Sync

4.4.1 General Information

Overview

The Precision Time Protocol (PTP) is a protocol used to synchronize clocks through a computer network. On a local area network, it achieves a synchronization accuracy in the sub-microsecond range, making it suitable for measurement and control systems.



Note

The PTP feature can only be used on the Ethernet host ports of these devices. Therefore, it can only be used, if the device is connected via Ethernet host port to the PC.

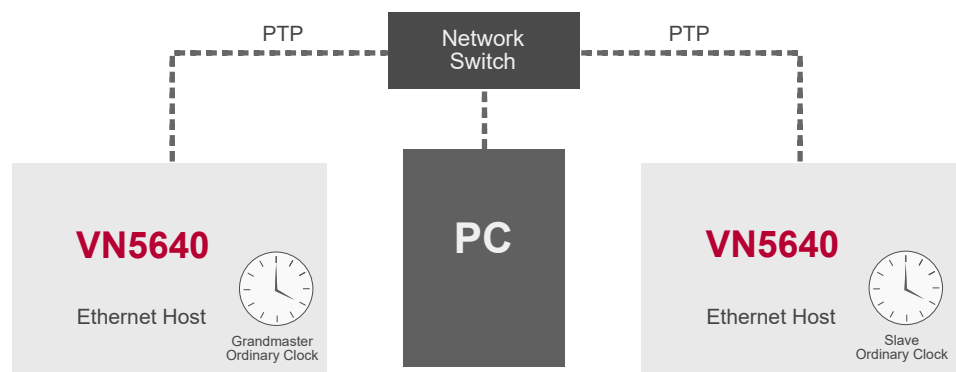


Figure 67: Setup example

4.4.2 Supported Features

Vector network interfaces support time synchronization with IEEE1588-2008 standard. The following IEEE1588 features are supported:

IEEE1588 Features	VN Device Support
Clock Types	
Ordinary Clock Master	X
Ordinary Clock Slave	X
Synchronization	
2-step clock	X
E2E	X
BMCA	X
Transport	
PTP over UDP with IPv4	X
PTP over UDP with IPv6	-
Multicast Master/Slave	X
Unicast Master/Slave	-
Synchronization accuracy	
1 μs	X

4.4.3 Network Topology

Network switches To achieve a maximum accuracy, PTP needs transparent clock support in network equipment. Therefore, a PTP transparent clock capable network switch is strongly suggested.

4.4.4 Configuration

Vector Hardware Manager Use the PTP synchronization if all devices are connected via Ethernet host port to the PC and one device is configured as master and all other devices are configured as slaves.



Reference

Further details and tips on the time sync configuration can be found in the [Vector Hardware Manager](#) help in section **User Interface | Navigation Rail | Time Sync**.

5 Important Notes - Details

In this chapter you find the following information:

5.1 Safety Instructions and Hazard Warnings	109
5.1.1 Proper Use and Intended Purpose	109
5.1.2 Hazards	110
5.2 Disclaimer	111
5.3 Licenses	112
5.3.1 SEGGER emFile Module	112
5.4 Disposal of Vector Hardware	113

5.1 Safety Instructions and Hazard Warnings



Caution!

In order to avoid personal injuries and damage to property, you have to read and understand the following safety instructions and hazard warnings prior to installation and use of this interface. Keep this documentation (manual) always near the interface.

5.1.1 Proper Use and Intended Purpose



Caution!

The interface is designed for analyzing, controlling and otherwise influencing control systems and electronic control units. This includes, inter alia, bus systems like CAN, LIN, K-Line, MOST, FlexRay, Ethernet, BroadR-Reach and/or ARINC 429.

The interface may only be operated in a closed state. In particular, printed circuits must not be visible. The interface may only be operated (i) according to the instructions and descriptions of this manual; (ii) with the electric power supply designed for the interface, e.g. USB-powered power supply; and (iii) with accessories manufactured or approved by Vector.

The interface is exclusively designed for use by skilled personnel as its operation may result in serious personal injuries and damage to property. Therefore, only those persons may operate the interface who (i) have understood the possible effects of the actions which may be caused by the interface; (ii) are specifically trained in the handling with the interface, bus systems and the system intended to be influenced; and (iii) have sufficient experience in using the interface safely.

The knowledge necessary for the operation of the interface can be acquired in work-shops and internal or external seminars offered by Vector. Additional and interface specific information, such as „Known Issues“, are available in the „Vector KnowledgeBase“ on Vector’s website at www.vector.com. Please consult the „Vector KnowledgeBase“ for updated information prior to the operation of the interface.

5.1.2 Hazards



Caution!

The interface may control and/or otherwise influence the behavior of control systems and electronic control units. Serious hazards for life, body and property may arise, in particular, without limitation, by interventions in safety relevant systems (e.g. by deactivating or otherwise manipulating the engine management, steering, airbag and/or braking system) and/or if the interface is operated in public areas (e.g. public traffic, airspace). Therefore, you must always ensure that the interface is used in a safe manner. This includes, inter alia, the ability to put the system in which the interface is used into a safe state at any time (e.g. by „emergency shutdown“), in particular, without limitation, in the event of errors or hazards.

Comply with all safety standards and public regulations which are relevant for the operation of the system. Before you operate the system in public areas, it should be tested on a site which is not accessible to the public and specifically prepared for performing test drives in order to reduce hazards.

5.2 Disclaimer

**Caution!**

Claims based on defects and liability claims against Vector are excluded to the extent damages or errors are caused by improper use of the interface or use not according to its intended purpose. The same applies to damages or errors arising from insufficient training or lack of experience of personnel using the interface.

5.3 Licenses

5.3.1 SEGGER emFile Module

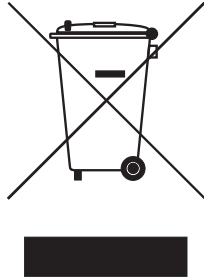
**Caution!**

The firmware of the VN1630 log contains the copyright protected emFile module of SEGGER Microcontroller GmbH & Co. KG.

It should be noted that, in addition to the safety and hazard notes provided in section Important Notes - Details, the Licensing Terms of the Licensor expressly prohibit the use of the SEGGER emFile module in weapons/weapons systems and/or their deployment in same. A “weapons system” is to be understood as meaning, in particular, a system whose primary or material purpose is to injure, incapacitate or kill a person or an opponent, or to destroy or damage the property of a person or an opponent, or to threaten a person or an opponent, irrespective of whether the weapon or the weapon system can be used to attack, defend, threaten or protect.

5.4 Disposal of Vector Hardware

Please handle old devices responsibly and observe the environmental laws applicable in your country. Please dispose of the Vector hardware only at the designated places and not with the household waste.



Within the European Community, the Directive on Waste Electrical and Electronic Equipment (WEEE Directive) and the Directive on the Restriction of the Use of Certain Hazardous Substances in Electrical and Electronic Equipment (RoHS Directive) apply.

For Germany and other EU countries, we offer free take-back of old Vector hardware.

Please carefully check the Vector hardware to be disposed of before shipping. Please remove all items that are not part of the original scope of delivery, e.g. storage media. The Vector hardware must also be free of licenses and must no longer contain any personal data. Vector does not perform any checks in this regard. Once the hardware has been shipped, it cannot be returned to you. By shipping the hardware to us, you have relinquished your rights to the hardware.

Before shipping, please register your old device via:

<https://www.vector.com/int/en/support-downloads/return-registration-for-the-disposal-of-vector-hardware/>

6 Wichtige Hinweise

In diesem Kapitel finden Sie die folgenden Informationen:

6.1 Sicherheits- und Gefahrenhinweise	115
6.1.1 Sach- und bestimmungsgemäßer Gebrauch	115
6.1.2 Gefahren	116
6.2 Haftungsausschluss	117
6.3 Lizenzen	118
6.3.1 SEGGER emFile Modul	118
6.4 Entsorgung von Vector Hardware	119

6.1 Sicherheits- und Gefahrenhinweise



Achtung!

Um Personen- und Sachschäden zu vermeiden, müssen Sie vor der Installation und dem Einsatz dieses Interfaces die nachfolgenden Sicherheits- und Gefahrenhinweise lesen und verstehen. Bewahren Sie diese Dokumentation (Handbuch) stets in der Nähe dieses Interfaces auf.

6.1.1 Sach- und bestimmungsgemäßer Gebrauch



Achtung!

Das Interface ist für die Analyse, die Steuerung sowie für die anderweitige Beeinflussung von Regelsystemen und Steuergeräten bestimmt. Das umfasst unter anderem die Bussysteme CAN, LIN, K-Line, MOST, FlexRay, Ethernet, BroadR-Reach oder ARINC 429.

Der Betrieb des Interfaces darf nur im geschlossenen Zustand erfolgen. Insbesondere dürfen keine Leiterplatten sichtbar sein. Das Interface ist entsprechend den Anweisungen und Beschreibungen dieses Handbuchs einzusetzen. Dabei darf nur die dafür vorgesehene Stromversorgung, wie z. B. USB-powered, Netzteil, und das Originalzubehör von Vector bzw. das von Vector freigegebene Zubehör verwendet werden.

Das Interface ist ausschließlich für den Einsatz durch geeignetes Personal bestimmt, da der Gebrauch dieses Interfaces zu erheblichen Personen- und Sachschäden führen kann. Deshalb dürfen nur solche Personen dieses Interface einsetzen, welche die möglichen Konsequenzen der Aktionen mit diesem Interface verstanden haben, speziell für den Umgang mit diesem Interface, den Bussystemen und dem zu beeinflussenden System geschult worden sind und ausreichende Erfahrung im sicheren Umgang mit dem Interface erlangt haben.

Die notwendigen Kenntnisse zum Einsatz dieses Interfaces können bei Vector über interne oder externe Seminare und Workshops erworben werden. Darüber hinausgehende und Interface-spezifische Informationen wie z. B. „Known Issues“ sind auf der Vector Webseite unter www.vector.com in der „Vector KnowledgeBase“ verfügbar. Bitte informieren Sie sich dort vor dem Betrieb des Interfaces über aktualisierte Hinweise.

6.1.2 Gefahren



Achtung!

Das Interface kann das Verhalten von Regelsystemen und Steuergeräten steuern und in anderweitiger Weise beeinflussen. Insbesondere durch Eingriffe in sicherheitsrelevante Bereiche (z. B. durch Deaktivierung oder sonstige Manipulation der Motorsteuerung, des Lenk-, Airbag-, oder Bremssystems) und/oder der Einsatz des Interfaces in öffentlichen Räumen (z. B. Straßenverkehr, Luftraum) können erhebliche Gefahren für Leib, Leben und Eigentum entstehen. Stellen Sie daher in jedem Fall eine gefahrfreie Verwendung sicher. Hierzu gehört unter anderem auch, dass das System, in dem das Interface eingesetzt wird, jederzeit, insbesondere bei Auftreten von Fehlern oder Gefahren, in einen sicheren Zustand geführt werden kann (z. B. durch Not-Abschaltung).

Beachten Sie alle sicherheitstechnischen Richtlinien und öffentlich-rechtlichen Vorschriften, die für den Einsatz des Systems relevant sind. Zur Verminderung von Gefahren sollte das System vor dem Einsatz in öffentlichen Räumen auf einem nicht-öffentlich zugänglichen und für Testfahrten bestimmten Gelände erprobt werden.

6.2 Haftungsausschluss



Achtung!

Soweit das Interface nicht sach- oder bestimmungsgemäß eingesetzt wird, übernimmt Vector keine Gewährleistung oder Haftung für dadurch verursachte Schäden oder Fehler. Das Gleiche gilt für Schäden oder Fehler, die auf einer mangelnden Schulung oder Erfahrung derjenigen Personen beruhen, die das Interface einsetzen.

6.3 Lizenzen

6.3.1 SEGGER emFile Modul

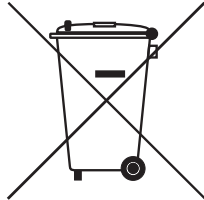
**Achtung!**

Die Firmware des VN1630 log beinhaltet das urheberrechtlich geschützte Modul emFile der SEGGER Microcontroller GmbH & Co. KG.

Ergänzend zu den Sicherheits- und Gefahrenhinweisen in Abschnitt **Wichtige Hinweise** wird ausdrücklich darauf hingewiesen, dass gemäß den Lizenzbedingungen des Lizenzgebers die Nutzung des emFile Modules von Segger bzw. dessen Einsatz in Waffen/Waffensystemen verboten ist. Als Waffensystem ist insbesondere ein solches System zu verstehen, das den vorrangigen oder wesentlichen Zweck hat, eine Person oder ein Gegner zu verletzen, handlungsunfähig zu machen oder zu töten oder das Eigentum einer Person oder eines Gegners zu zerstören oder zu beschädigen oder eine Person oder einen Gegner zu bedrohen, unabhängig davon, ob die Waffe oder das Waffensystem zum Angriff, zur Verteidigung, zur Drohung oder zum Schutz genutzt werden kann.

6.4 Entsorgung von Vector Hardware

Bitte gehen Sie verantwortungsvoll mit Altgeräten um und beachten Sie die in Ihrem Land geltenden Umweltgesetze. Entsorgen Sie die Vector Hardware bitte nur bei den dafür vorgesehenen Stellen und nicht über den Hausmüll.



Innerhalb der Europäischen Gemeinschaft gelten die Richtlinie über Elektro- und Elektronik-Altgeräte (WEEE-Richtlinie) und die Richtlinie zur Beschränkung der Verwendung bestimmter gefährlicher Stoffe in Elektro- und Elektronikgeräten (RoHS-Richtlinie).

Für Deutschland und andere EU-Länder bieten wir Ihnen eine kostenlose Rücknahme der alten Vector Hardware an.

Bitte überprüfen Sie die zu entsorgende Vector Hardware vor dem Versand sorgfältig. Bitte entfernen Sie alle Gegenstände, die nicht zum ursprünglichen Lieferumfang gehören, z. B. Speichermedien. Die Vector Hardware muss außerdem frei von Lizenzen sein und darf keine personenbezogenen Daten mehr enthalten. Vector führt keine Kontrollen diesbezüglich durch. Sobald die Hardware versandt wurde, kann sie nicht mehr an Sie zurück geliefert werden. Mit dem Versand der Hardware an uns haben Sie Ihre Rechte an der Hardware abgetreten. Bitte melden Sie vor dem Versand Ihr Altgerät an über:

<https://www.vector.com/de/de/support-downloads/return-registration-for-the-disposal-of-vector-hardware/>



Visit our website for:

- ▶ News
- ▶ Products
- ▶ Demo software
- ▶ Support
- ▶ Training classes
- ▶ Addresses