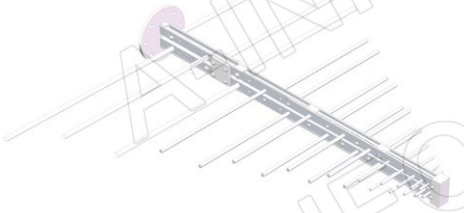


## Technical Specification

P/N:DS-25300	
Frequency Range(GHz)	0.25 - 3.0
Gain(dBi)	6 Typ.
Polarization	Linear
3dB Beamwidth(deg)	E Plane: 79 - 30
	H Plane: 145 - 97
VSWR	2.0:1 Typ. / 3.0:1 Max.
Output	N-Female
Average Power(W CW)	300 (150 @ 3.0GHz)
Peak Power(KW)	3
Material	Al
Size(mm)	739 x 52 x 649
Net Weight(Kg)	0.80 Around



P/N:DS-25300C	
Frequency Range(GHz)	0.25 - 3.0
Gain(dBi)	6 Typ.
Polarization	Linear
3dB Beamwidth(deg)	E Plane: 79 - 30
	H Plane: 145 - 97
VSWR	2.0:1 Typ. / 3.0:1 Max.
Output	N-Female
Average Power(W CW)	300 (150 @ 3.0GHz)
Peak Power(KW)	3
Material	Al
Size(mm)	739 x 100 x 641
Net Weight(Kg)	0.90 Around



P/N:DS-25300E	
Frequency Range(GHz)	0.25 - 3.0
Gain(dBi)	6 Typ.
Polarization	Linear
3dB Beamwidth(deg)	E Plane: 79 - 30
	H Plane: 145 - 97
VSWR	2.0:1 Typ. / 3.0:1 Max.
Output	N-Female
Average Power(W CW)	300 (150 @ 3.0GHz)
Peak Power(KW)	3
Material	Al
Size(mm)	739 x 52 x 883
Net Weight(Kg)	1.25 Around



AINFO Inc.

Page 1 of 7

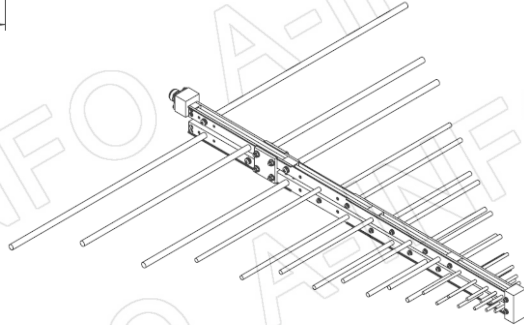
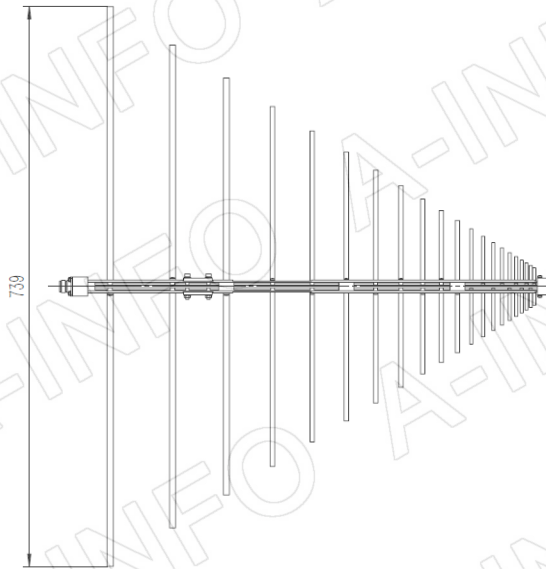
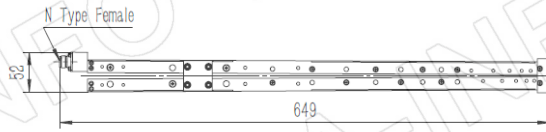
China(Beijing): Tel: (+86) 10-6266-7326,  
China(Chengdu): Tel: (+86) 28-8519-2786,  
USA: Tel: (+1) 949-639-9688,

(+86) 10-6266-7327 Fax: (+86) 10-6266-7379  
(+86) 28-8519-3044 Fax: (+86) 28-8519-3068  
(+1) 949-639-9608 Fax: (+1) 949-639-9670

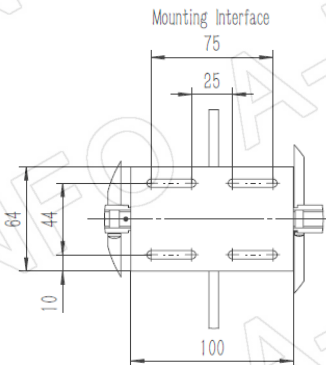
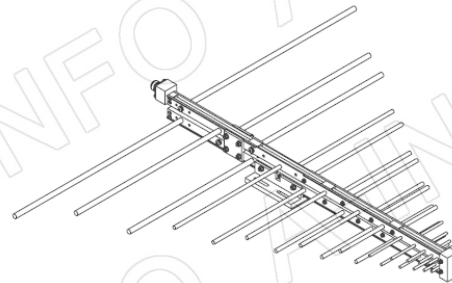
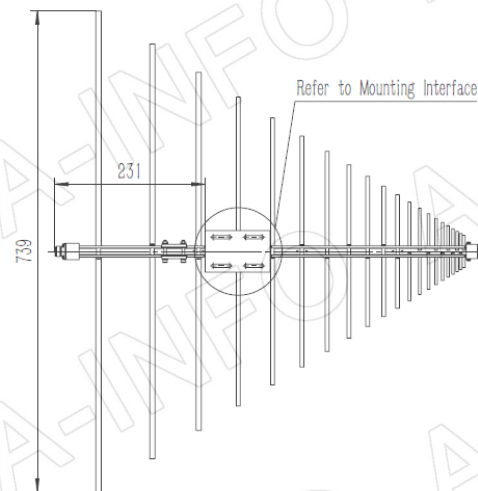
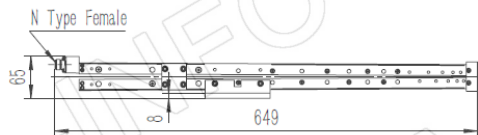
Website: www.ainfoinc.com  
Email: sales@ainfoinc.com

## Outline Drawing (Size: mm)

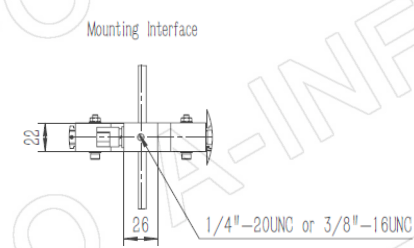
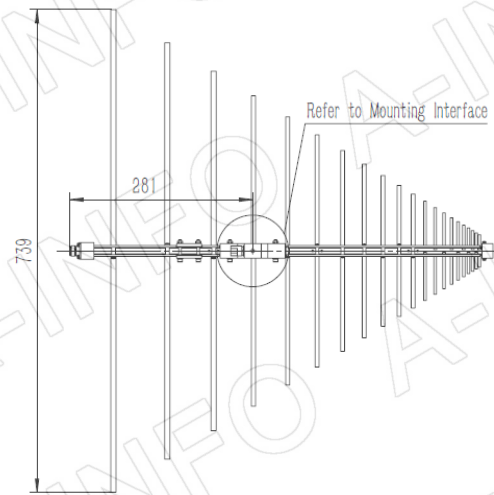
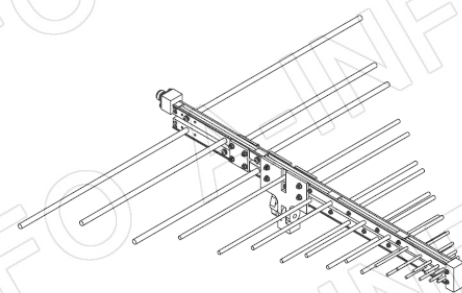
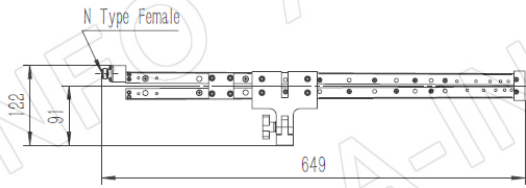
DS-25300 (P/N: DS-25300)



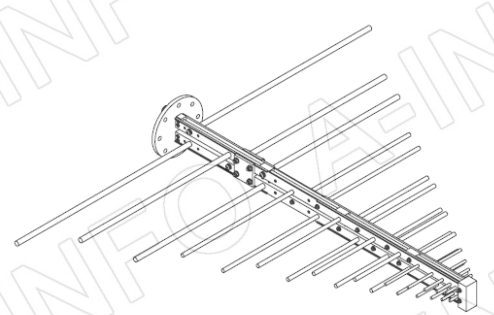
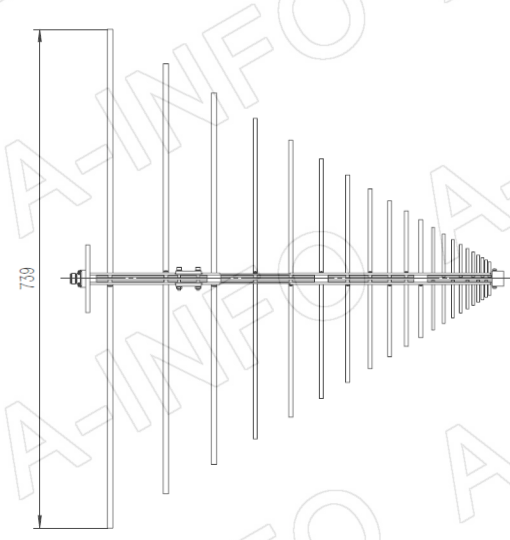
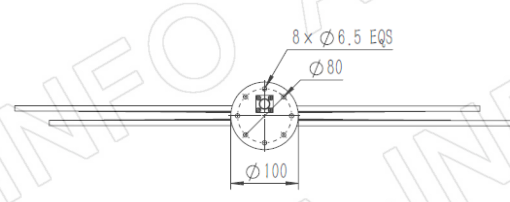
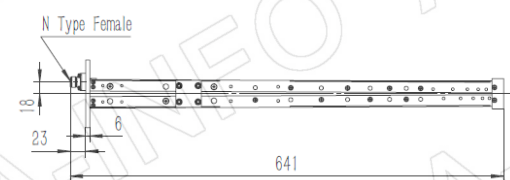
## DS-25300 with Mounting Bracket (Option, P/N: DS-20200-MB)



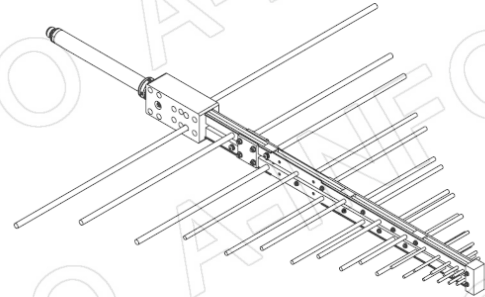
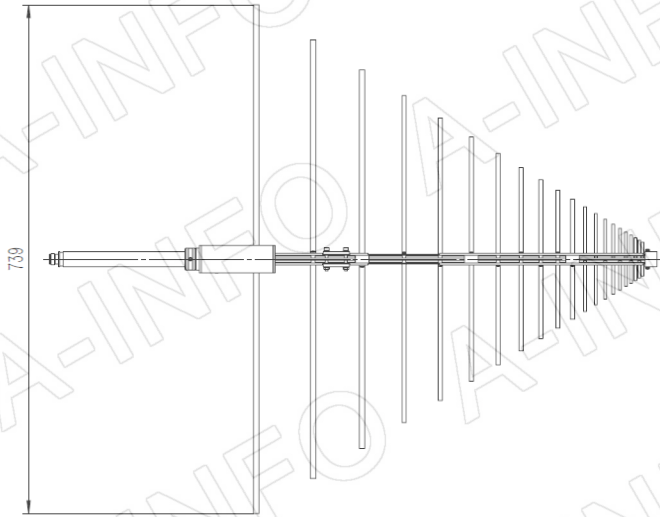
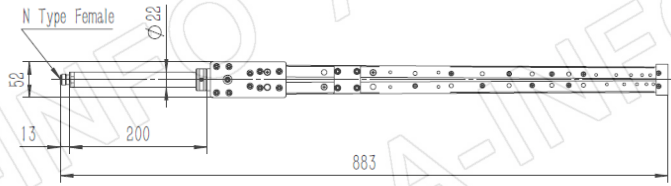
DS-25300 with Mounting Bracket for Tripod Application (Option, P/N: DS-20200-MBA)



DS-25300C (P/N: DS-25300C)

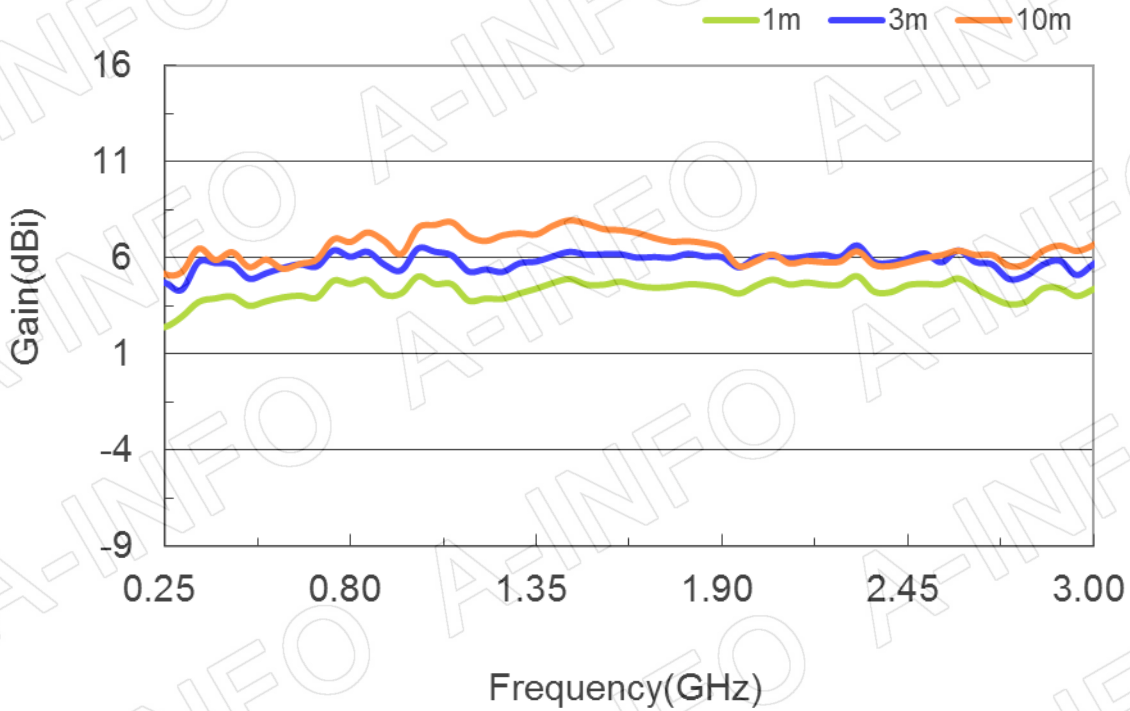


DS-25300E (P/N: DS-25300E)

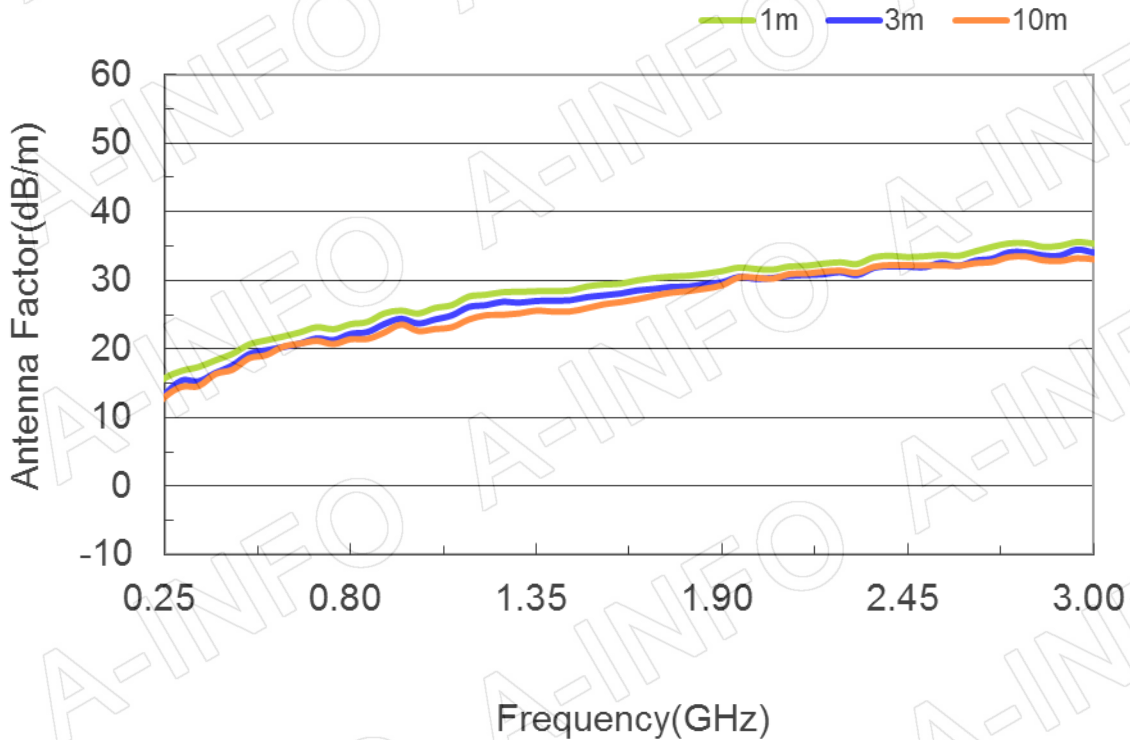


## Test Results

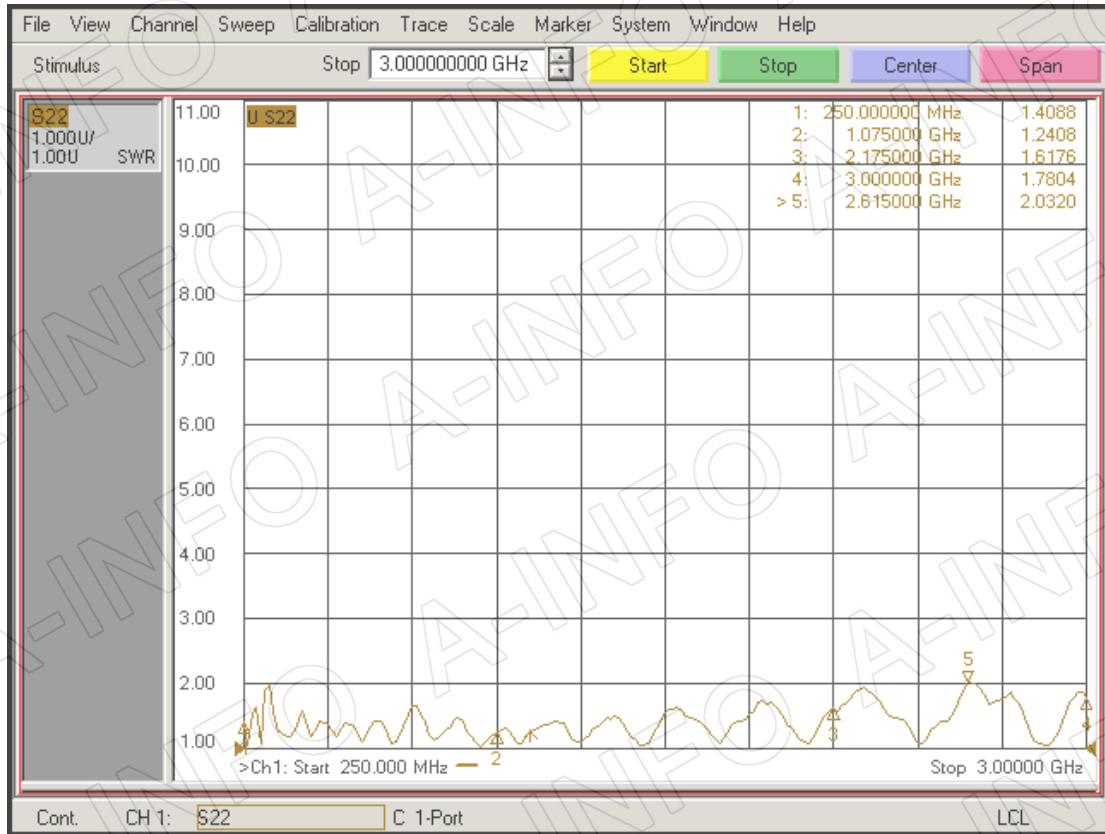
### 1. Gain



### 2. Antenna Factor



### 3. VSWR



### 4. Pattern

