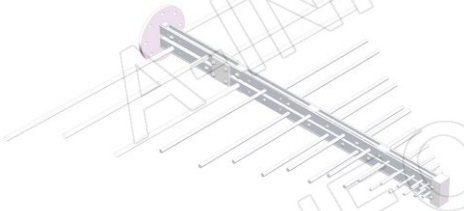


Technical Specification

P/N:DS-25200	
Frequency Range(GHz)	0.25 - 2.0
Gain(dBi)	6 Typ.
Polarization	Linear
3dB Beamwidth(deg)	E Plane: 79 - 39
	H Plane: 145 - 104
VSWR	1.5:1 Typ. / 2.0:1 Max.
Output	N-Female
Average Power(W CW)	300 (200 @ 2.0GHz)
Peak Power(KW)	3
Material	Al
Size(mm)	739 x 52 x 649
Net Weight(Kg)	0.80 Around



P/N:DS-25200C	
Frequency Range(GHz)	0.25 - 2.0
Gain(dBi)	6 Typ.
Polarization	Linear
3dB Beamwidth(deg)	E Plane: 79 - 39
	H Plane: 145 - 104
VSWR	1.5:1 Typ. / 2.0:1 Max.
Output	N-Female
Average Power(W CW)	300 (200 @ 2.0GHz)
Peak Power(KW)	3
Material	Al
Size(mm)	739 x 100 x 641
Net Weight(Kg)	0.90 Around



P/N:DS-25200E	
Frequency Range(GHz)	0.25 - 2.0
Gain(dBi)	6 Typ.
Polarization	Linear
3dB Beamwidth(deg)	E Plane: 79 - 39
	H Plane: 145 - 104
VSWR	1.5:1 Typ. / 2.0:1 Max.
Output	N-Female
Average Power(W CW)	300 (200 @ 2.0GHz)
Peak Power(KW)	3
Material	Al
Size(mm)	739 x 52 x 883
Net Weight(Kg)	1.25 Around



AINFO Inc.

Page 1 of 7

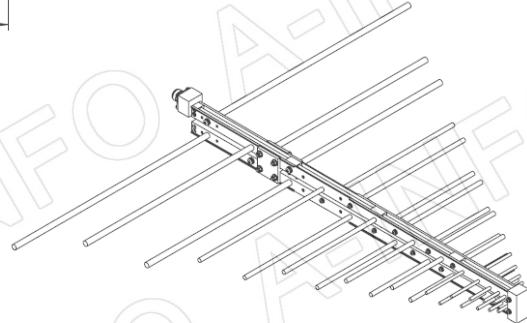
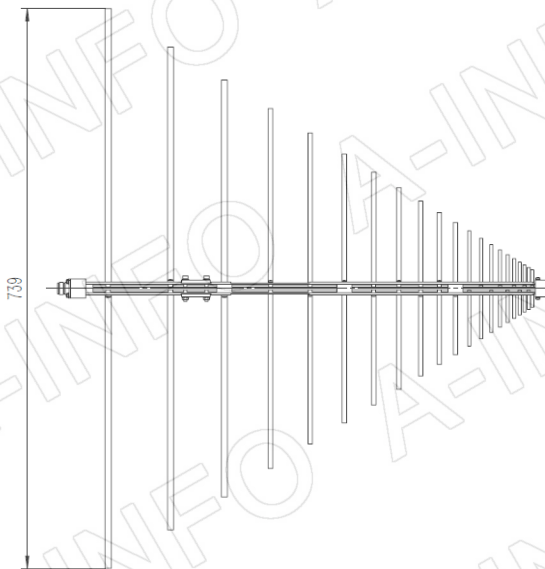
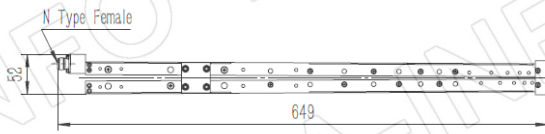
China(Beijing): Tel: (+86) 10-6266-7326,
China(Chengdu): Tel: (+86) 28-8519-2786,
USA: Tel: (+1) 949-639-9688,

(+86) 10-6266-7327 Fax: (+86) 10-6266-7379
(+86) 28-8519-3044 Fax: (+86) 28-8519-3068
(+1) 949-639-9608 Fax: (+1) 949-639-9670

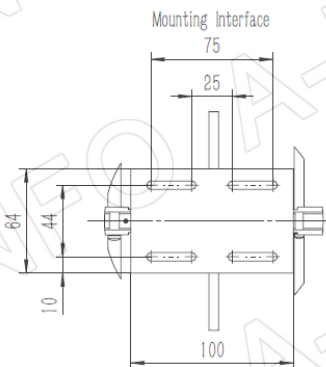
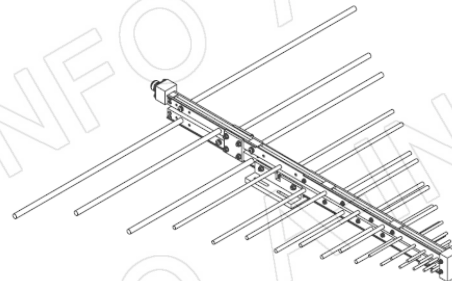
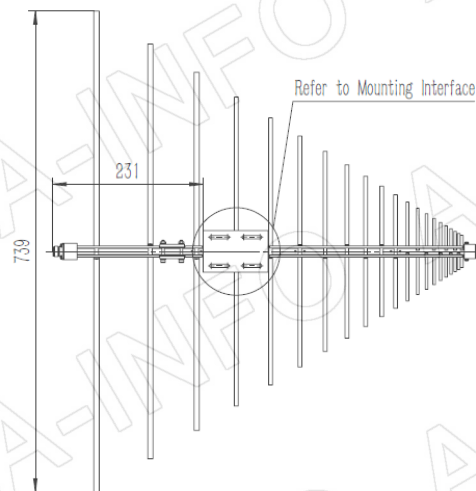
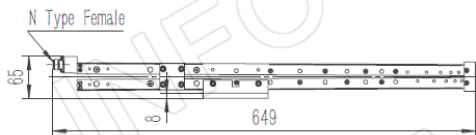
Website: www.ainfoinc.com
Email: sales@ainfoinc.com

Outline Drawing (Size: mm)

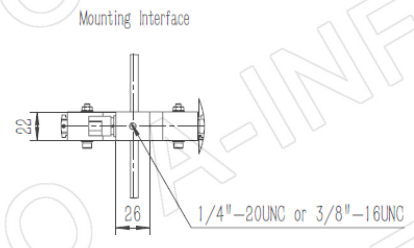
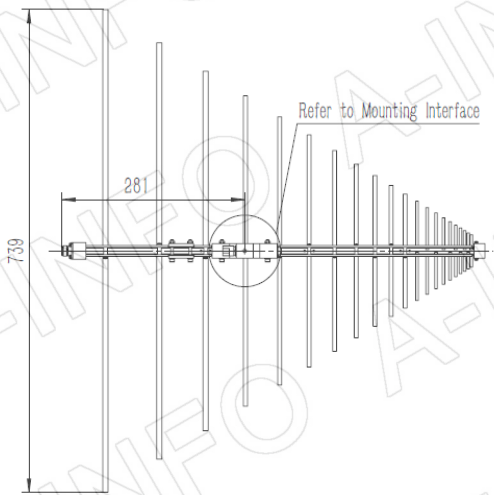
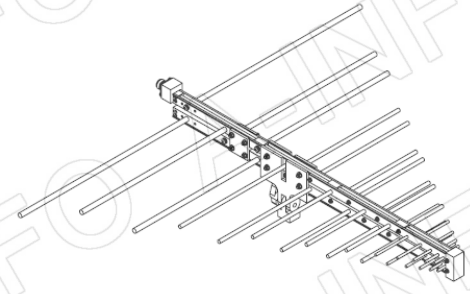
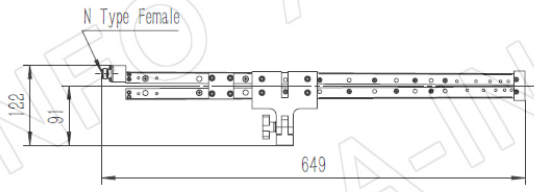
DS-25200 (P/N: DS-25200)



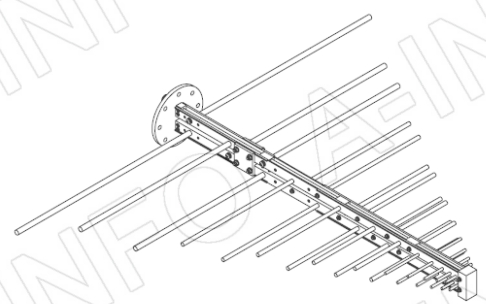
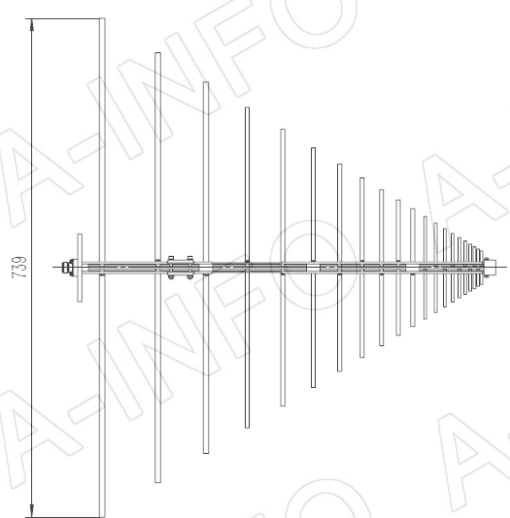
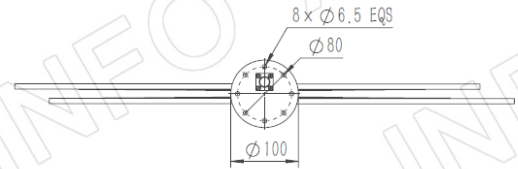
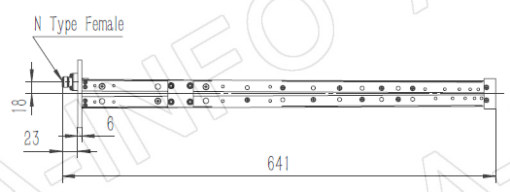
DS-25200 with Mounting Bracket (Option, P/N: DS-20200-MB)



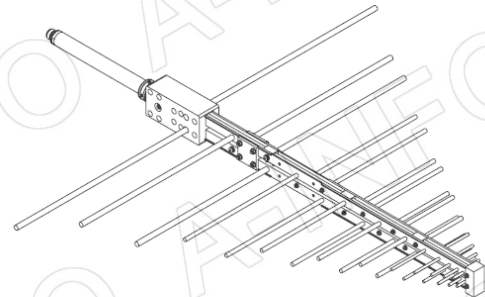
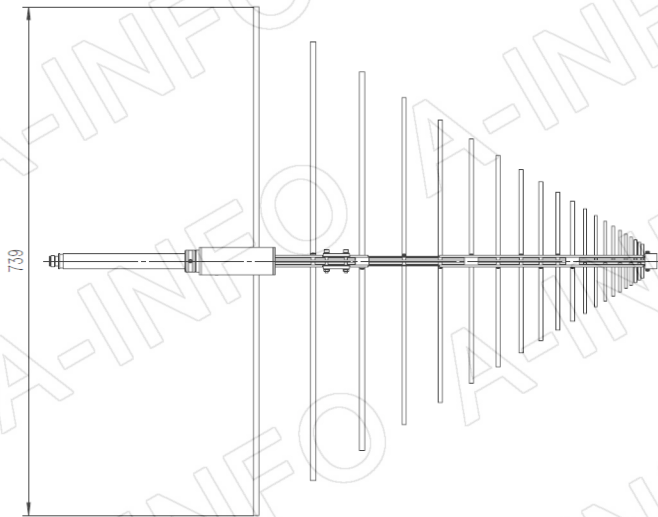
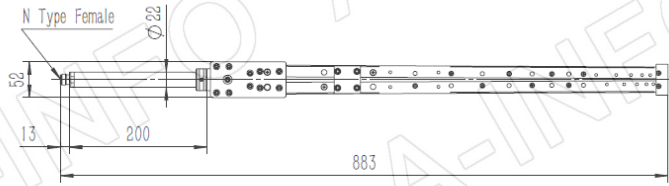
DS-25200 with Mounting Bracket for Tripod Application (Option, P/N: DS-20200-MBA)



DS-25200C (P/N: DS-25200C)

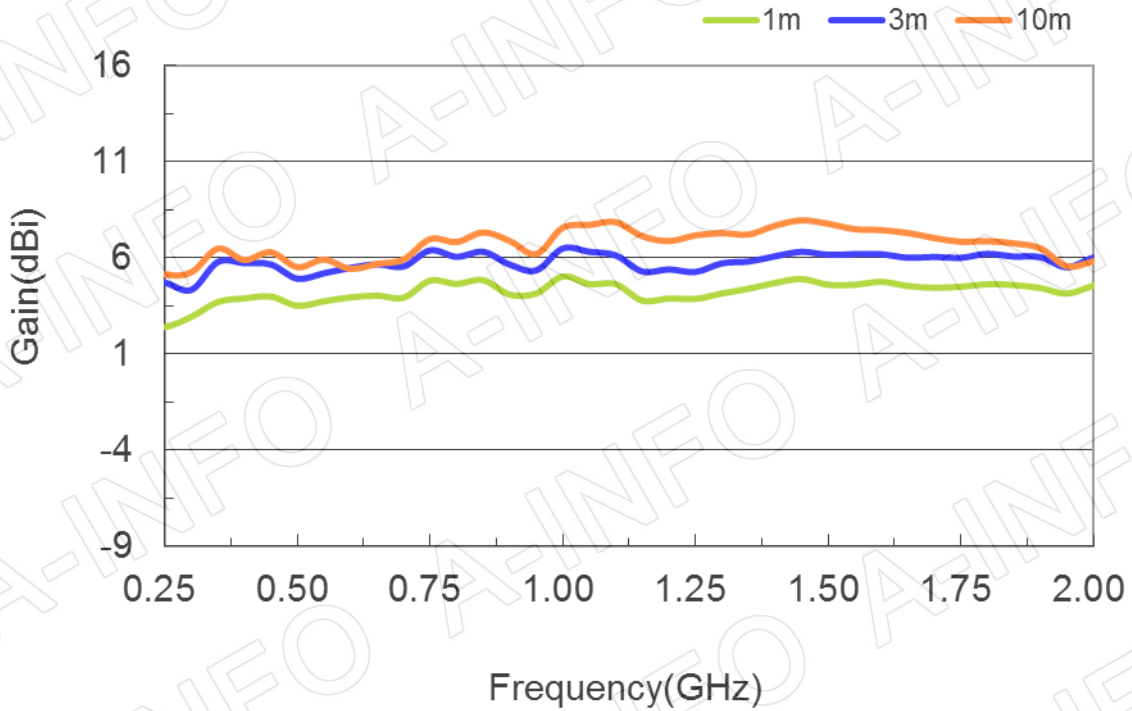


DS-25200E (P/N: DS-25200E)

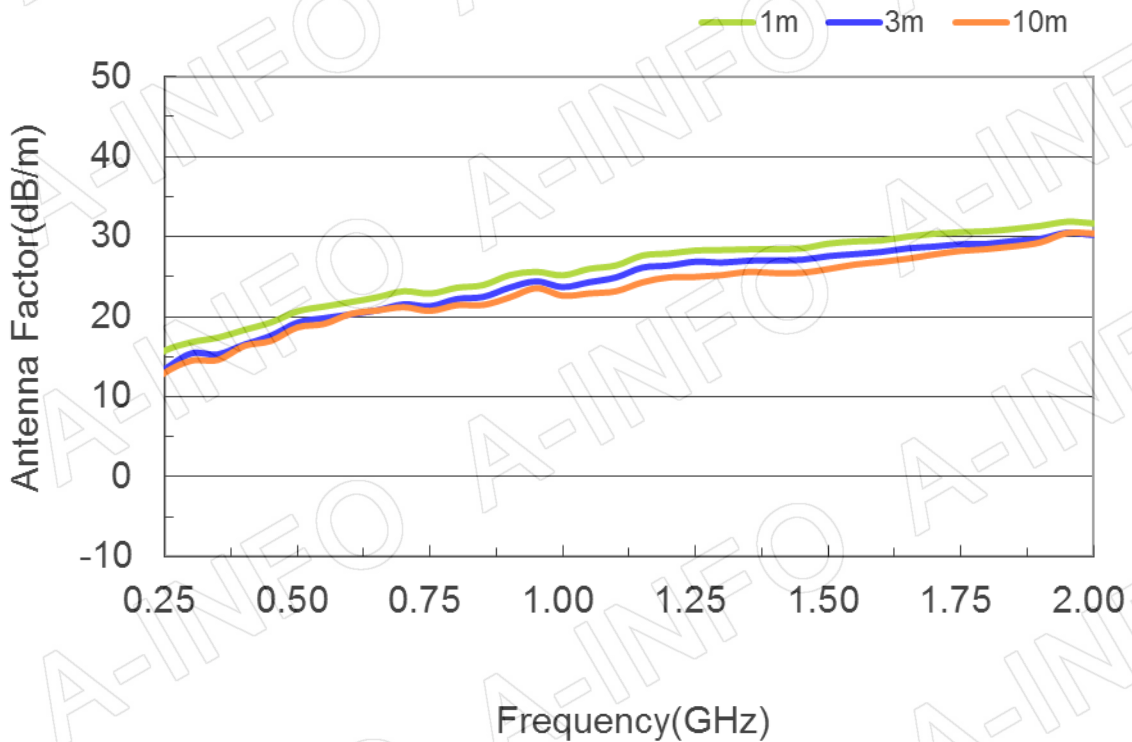


Test Results

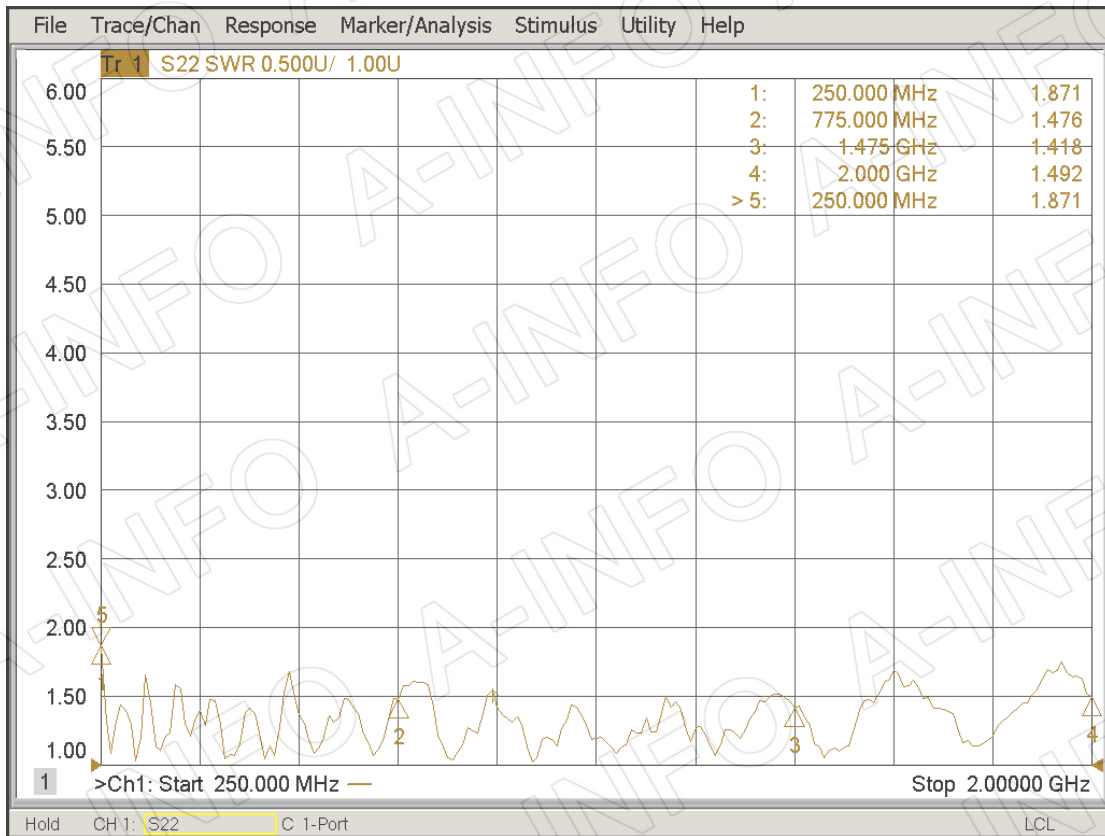
1. Gain



2. Antenna Factor



3. VSWR



4. Pattern

