

Technical Specification



Frequency Range(GHz)	1.0 – 18.0
Gain(dBi)	11 Typ.
Polarization	Linear
3dB Beamwidth(deg)	E Plane: 97 - 13
	H Plane: 62 - 11
Cross Pol. Isolation(dB)	25 Typ.
VSWR	1.5:1 Typ.
Connector	N-Female or SMA-Female
Power Handling(W CW)	N-Female: 300 Max.
	SMA-Female: 50 Max.
Material	Al
Size(mm)	244 x 160 x 204
Net Weight(Kg)	1.40 Around

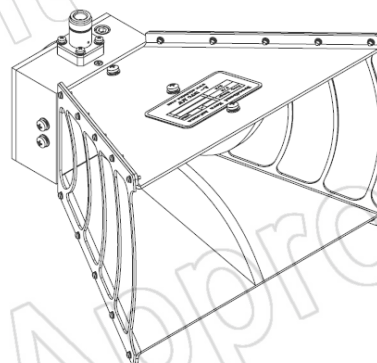
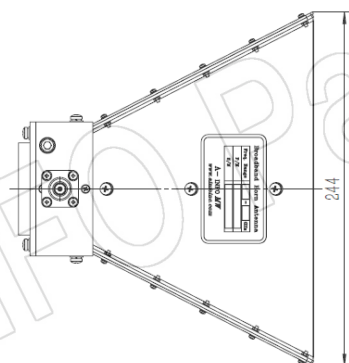
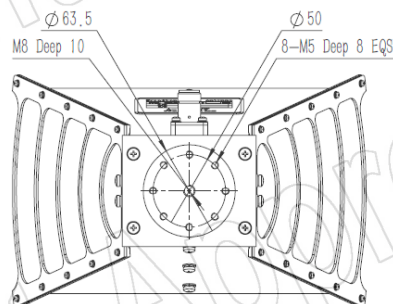
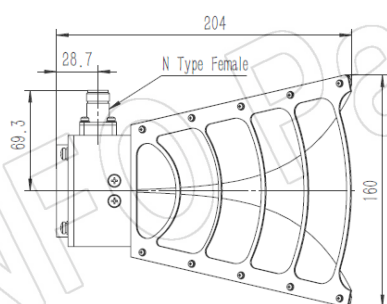
PATENT ID (China)

ZL201621014310.X, ZL201630454711.6

Outline Drawing (Size: mm)

N-Female Output (P/N: LB-10180-NF)

For SMA-Female output outline drawing, please contact A-INFO.



AINFO Inc.

Page 1 of 11

China(Beijing):
China(Chengdu):
USA :

Tel: (+86) 10-6266-7326,
Tel: (+86) 28-8519-2786,
Tel: (+1) 949-639-9688,

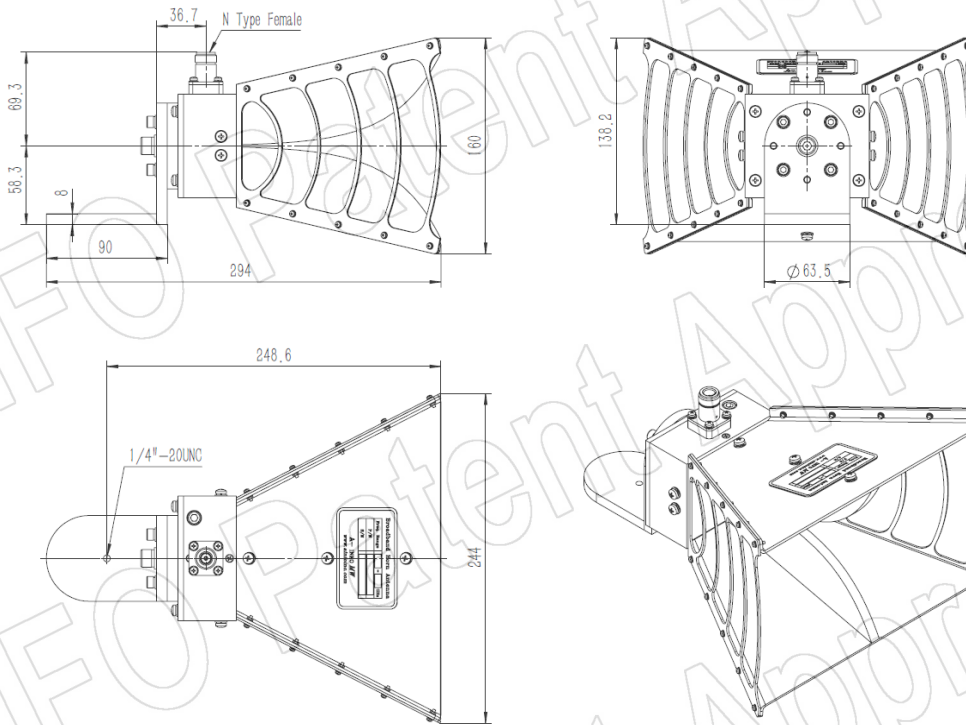
(+86) 10-6266-7327
(+86) 28-8519-3044
(+1) 949-639-9608

Fax: (+86) 10-6266-7379
Fax: (+86) 28-8519-3068
Fax: (+1) 949-639-9670

Website: www.ainfoinc.com
Email: sales@ainfoinc.com

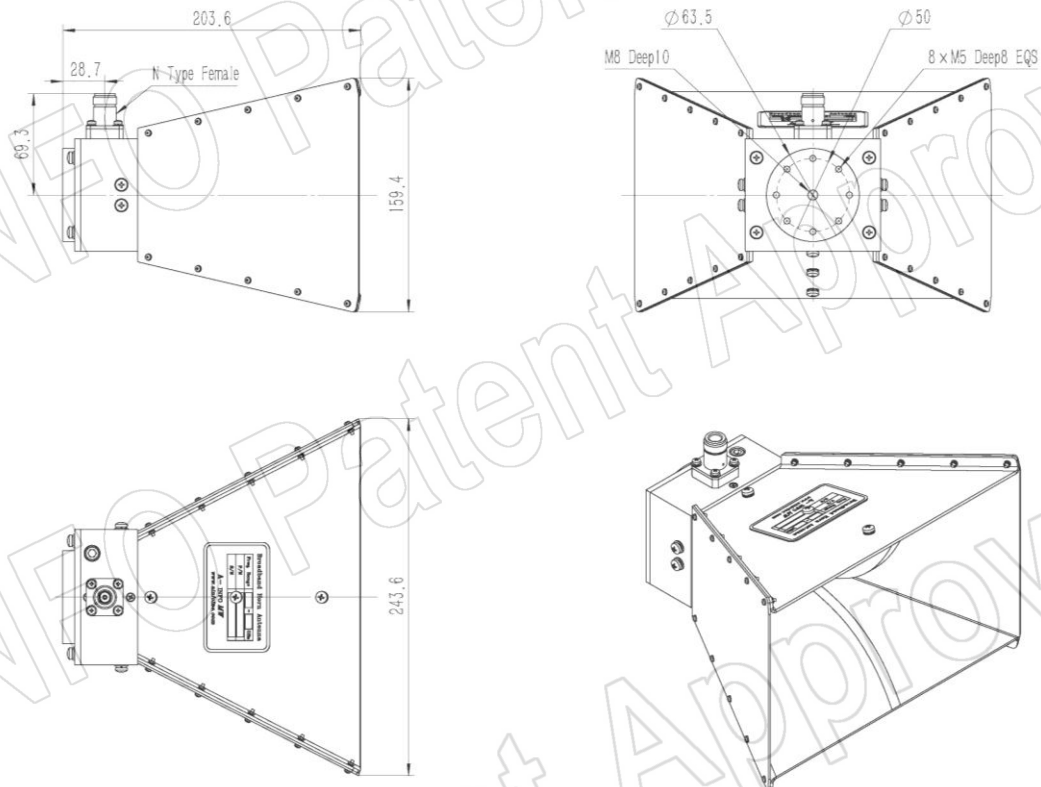
N-Female Output with L Type Mounting Bracket (Option, P/N: LB-10180-L)

For SMA-Female output outline drawing, please contact A-INFO.



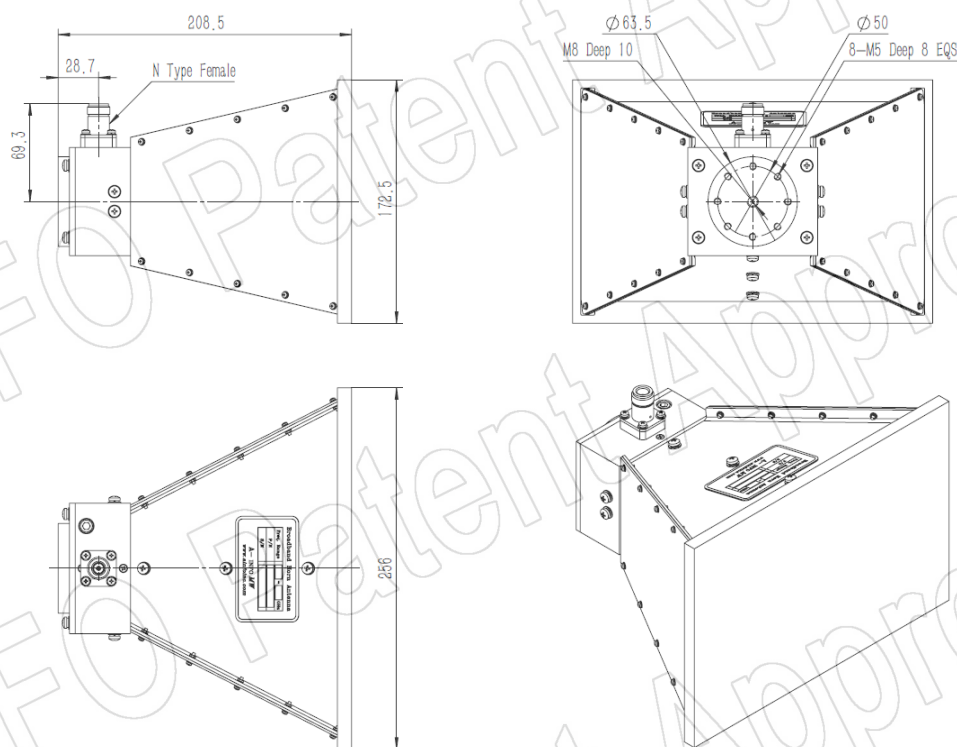
N-Female Output with Side Plate (Option, P/N: LB-10180-NFP)

For SMA-Female output outline drawing, please contact A-INFO.



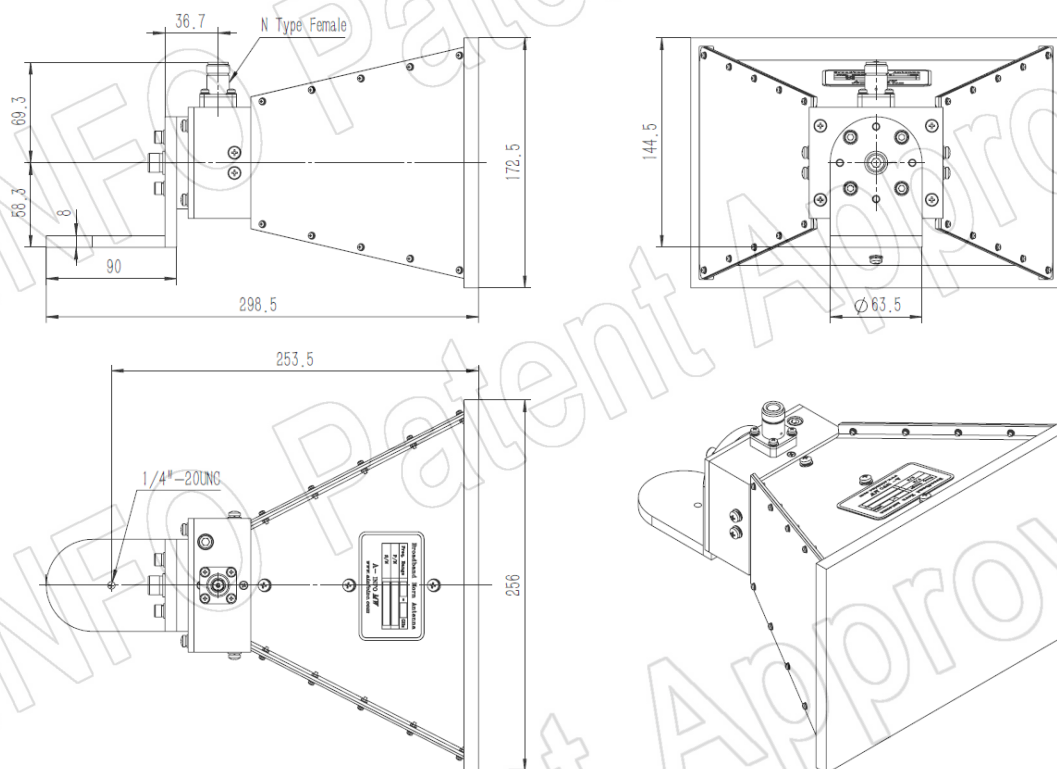
N-Female Output with Radome (Option, P/N: LB-10180-NFSP0, Outdoor Application)

For SMA-Female output outline drawing, please contact A-INFO.



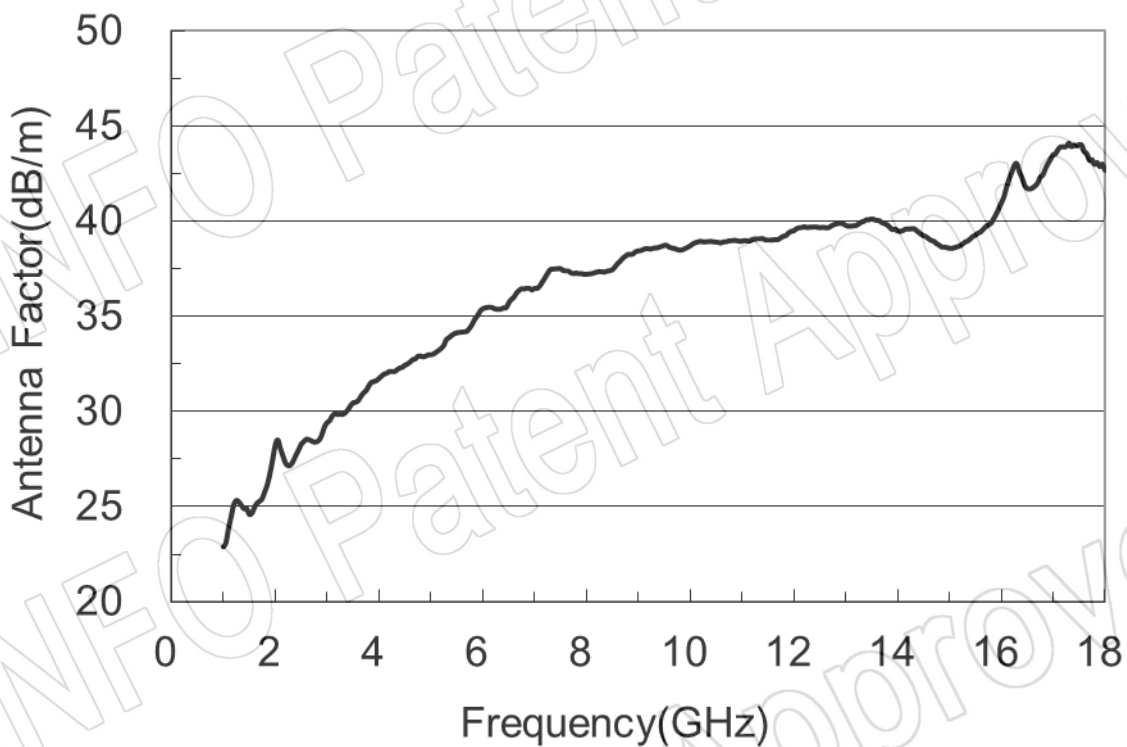
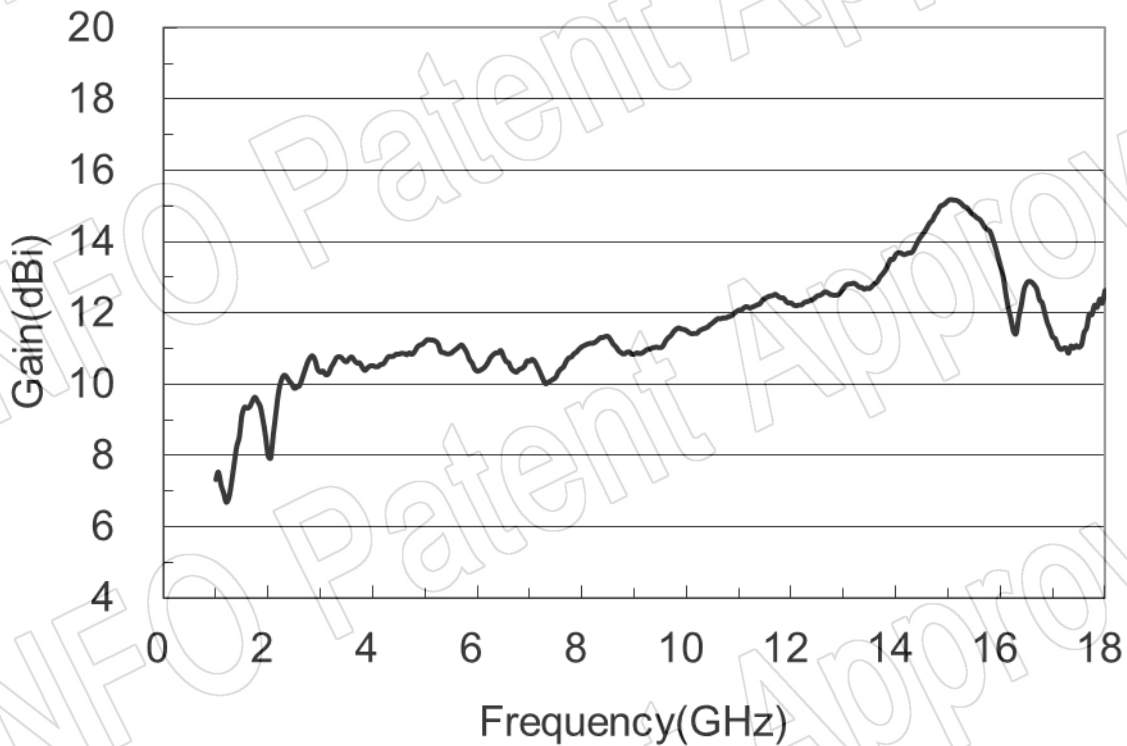
N-Female Output with L Type Mounting Bracket & Radome (Option, P/N: LB-10180-L & LB-10180-NFSP0, Outdoor Application)

For SMA-Female output outline drawing, please contact A-INFO.



Test Results

1. Gain & Antenna Factor



AINFO Inc.

Page 4 of 11

China(Beijing):
China(Chengdu):
USA :

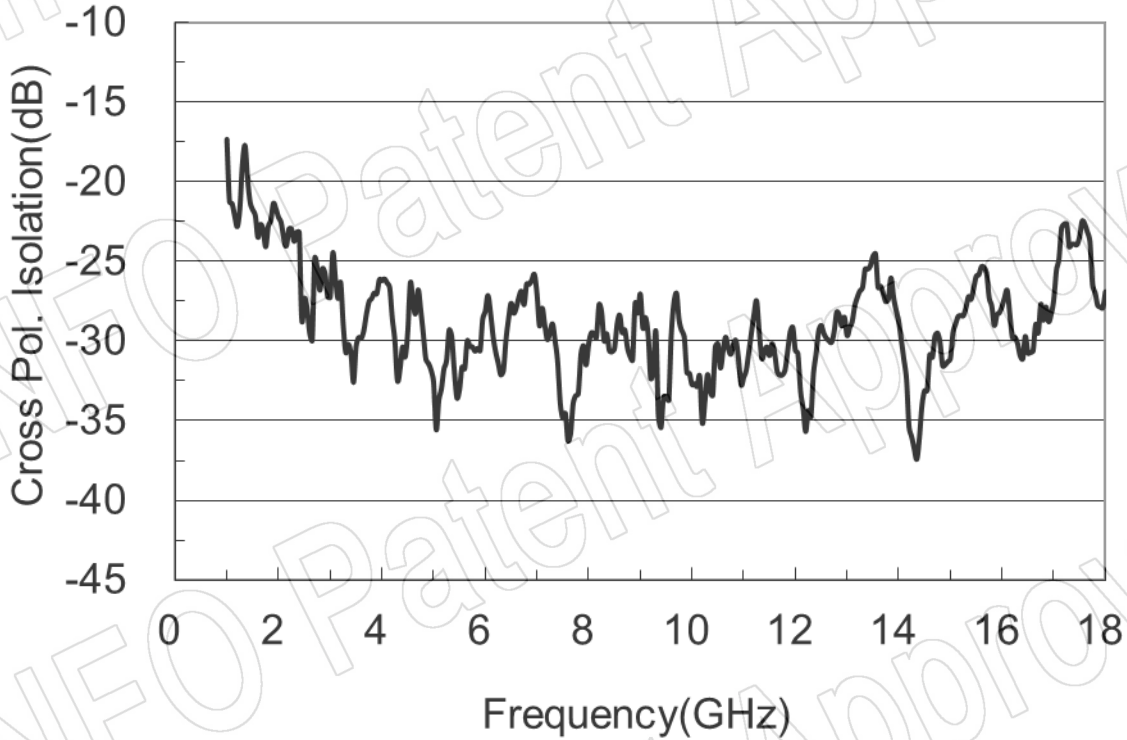
Tel: (+86) 10-6266-7326,
Tel: (+86) 28-8519-2786,
Tel: (+1) 949-639-9688,

(+86) 10-6266-7327
(+86) 28-8519-3044
(+1) 949-639-9608

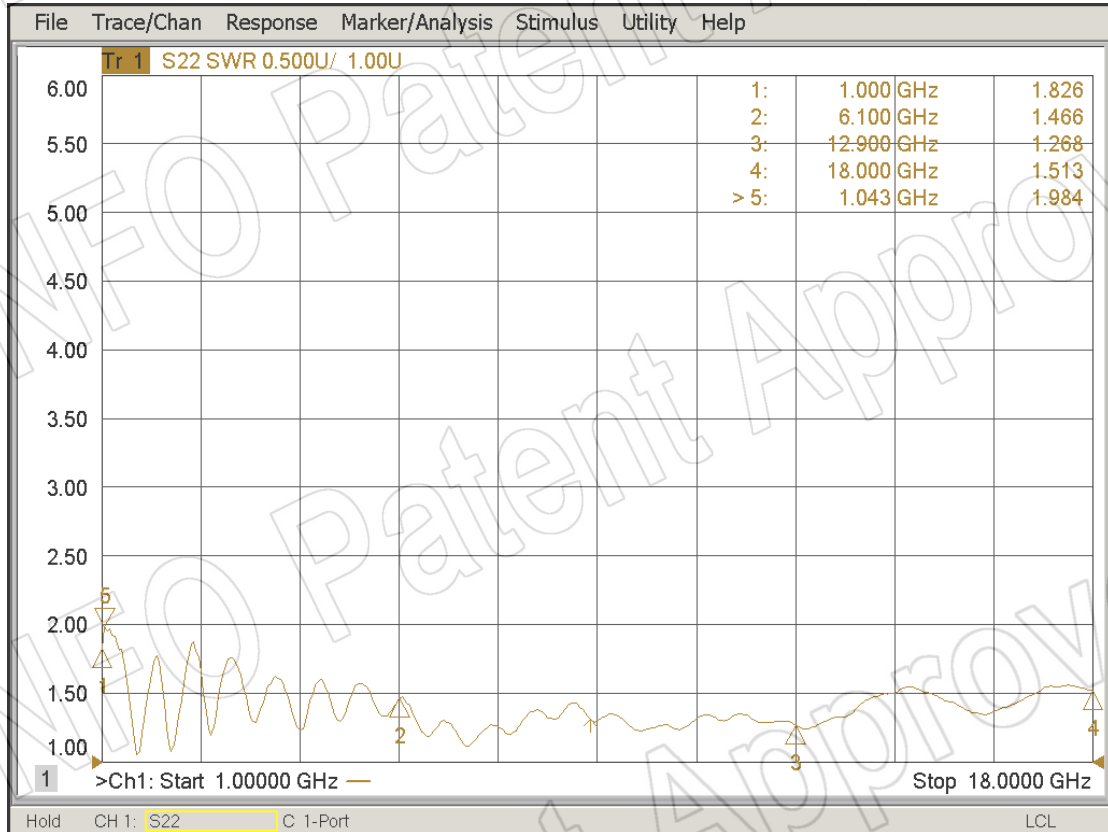
Fax: (+86) 10-6266-7379
Fax: (+86) 28-8519-3068
Fax: (+1) 949-639-9670

Website: www.ainfoinc.com
Email: sales@ainfoinc.com

2. Cross Polarization Isolation



3. VSWR



4. Pattern

