



NTWPA-6018050

Power Amplifier

NTWPA Series power amplifier is our key product adopting complete solid-state solution, featuring with high reliability, friendly interactive user interface, it has been widely used in various applications including wireless telecommunication medical , EMC etc

- Excellent design, efficient cooling
- Standardized enclosure, easy for cabinet install
- Various protections, high reliability



Product Specifications

Parameters		Performance	Remarks
Working frequency		6GHz~18GHz	-
Working Voltage		AC 220V±10% , 50/60Hz	10A*1
Output Power		50W	CW
Max. Input Power		0dBm	CW
Gain		47dB min	-
Gain Flatness		±5dB	-
2 nd Harmonic Wave		15dBctyp	-
Out-band Spurious		50dBc	200kHz away from main signal
Fwd-Rev Coupling		-	Support Fwd-Rev coupling coefficient
Protection	Over-VSWR	3	Alarm activated , PA stops working when output VSWR>3
	Over-heat	70℃	-
	Over-drive	-	PA protected from damage when input with large power

E-mail: sales@rflight.cn
Website: www.rflight.cn

Postcode: 211106
Add: #20 Linhuai Street, Jiangning District
Nanjing, China

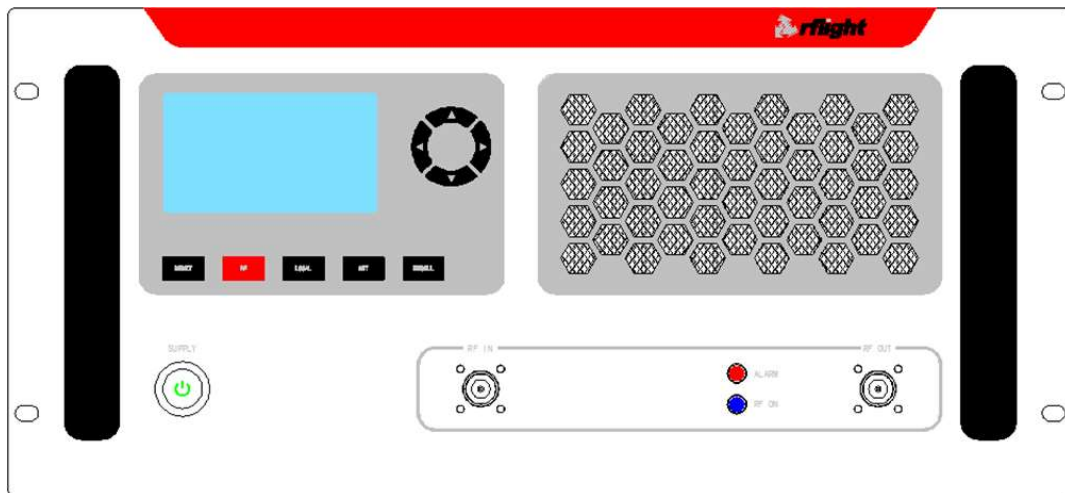
Tel: +86-25-84471796
Fax: +86-25-84471786

Working Temperature	0°C ~ +40°C	-
Size (L*W*H)	448mm×600mm×225mm	5U
Enclosure Surface Finish	-	Spray paint, sand blast
Input Interface	N-F Type	Rear panel
Output Interface	N-F Type	Rear panel
Fwd-Rev Coupling Interface	SMA-F Type	Rear panel
Cooling Unit	-	Forced Air Cooling
Controlling Interface	GPIB、LAN	

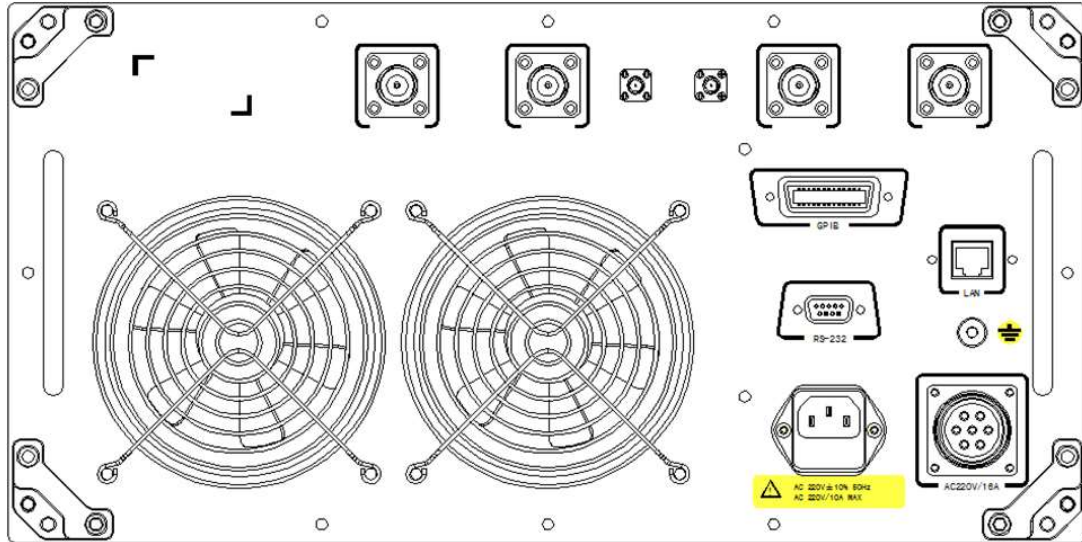
Product Exterior Structure

Remark: below drawing for reference only, subject to final drawing

- Front panel



- Rear panel



Remark: With continuous product improvement, technical parameters of this document are subject to changes without further notice.