

# QPD4-2000-18000-30-N

## 4-Way, 2~18GHz

Features:  
 \* Small Size  
 \* Low Insertion Loss

Applications:  
 \* Amplifiers  
 \* Mixers  
 \* Antennas  
 \* Laboratory Test

### Electrical

Frequency:	2~18GHz
Insertion Loss:	2.2dB max.
Input VSWR:	1.6 max.
Output VSWR:	1.5 max.
Isolation:	17dB min.
Amplitude Balance:	0.4dB max.
Phase Balance:	±6°
Impedance:	50Ω
Power @SUM Port:	30W max. as divider 1W max. as combiner

### Mechanical

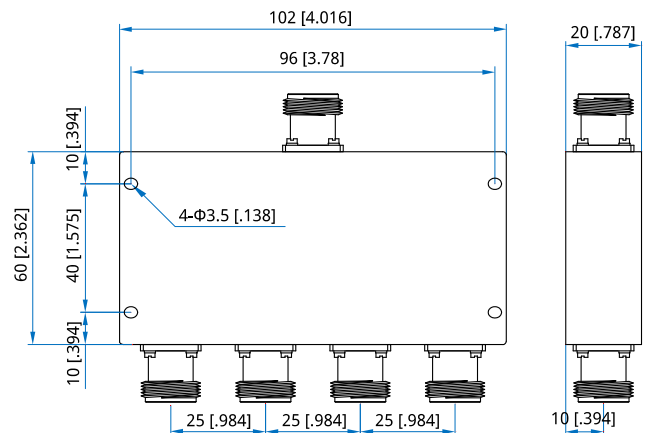
Size <sup>*1</sup> :	102*60*20mm 2.362*2.717*0.787in
Connectors:	N Female
Mounting:	4-Φ3.5mm through-hole

[1] Exclude connectors.

### Environmental

Operation Temperature:	-45~+85°C
------------------------	-----------

### Outline Drawings



Unit: mm [in]

Tolerance: ±0.3mm [±0.012in]

### How To Order

**QPD4-2000-18000-30-N**

Customization is available upon request.