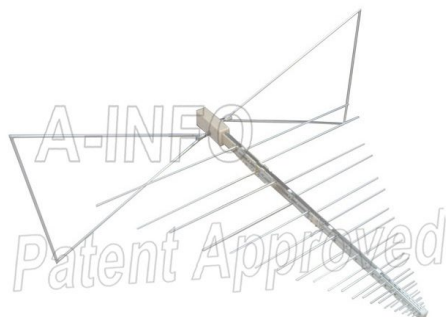
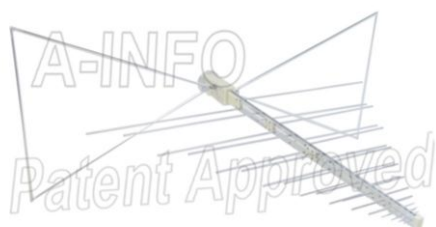


Technical Specification



<i>P/N:DS-3100</i>	
Frequency Range(GHz)	0.03 – 1.0
Gain(dBi)	6 Typ.
Polarization	Linear
3dB Beamwidth(deg)	E Plane: 100 - 70
	H Plane: 360 - 130
VSWR	10.0 Typ.(30-50MHz)
	2.0 Typ.(50-100MHz)
	1.5 Typ./ 2.0 Max.(100-1000MHz)
Output	N-Female
Average Power(W CW)	300
Peak Power(KW)	3
Material	Al
Size(mm)	1734 x 758 x 1425
Net Weight(Kg)	3.80 Around



<i>P/N:DS-3100C</i>	
Frequency Range(GHz)	0.03 – 1.0
Gain(dBi)	6 Typ.
Polarization	Linear
3dB Beamwidth(deg)	E Plane: 100 - 70
	H Plane: 360 - 130
VSWR	10.0 Typ.(30-50MHz)
	2.0 Typ.(50-100MHz)
	1.5 Typ./ 2.0 Max.(100-1000MHz)
Output	N-Female
Average Power(W CW)	300
Peak Power(KW)	3
Material	Al
Size(mm)	1734 x 758 x 1425
Net Weight(Kg)	3.90 Around

P/N:DS-3100E

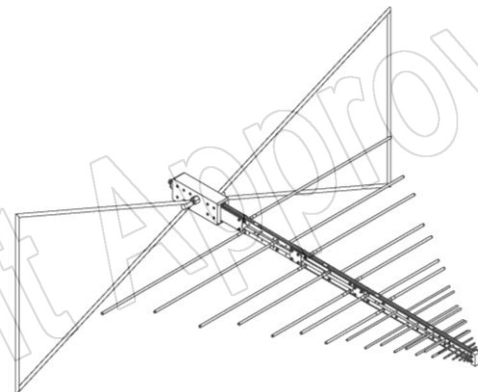
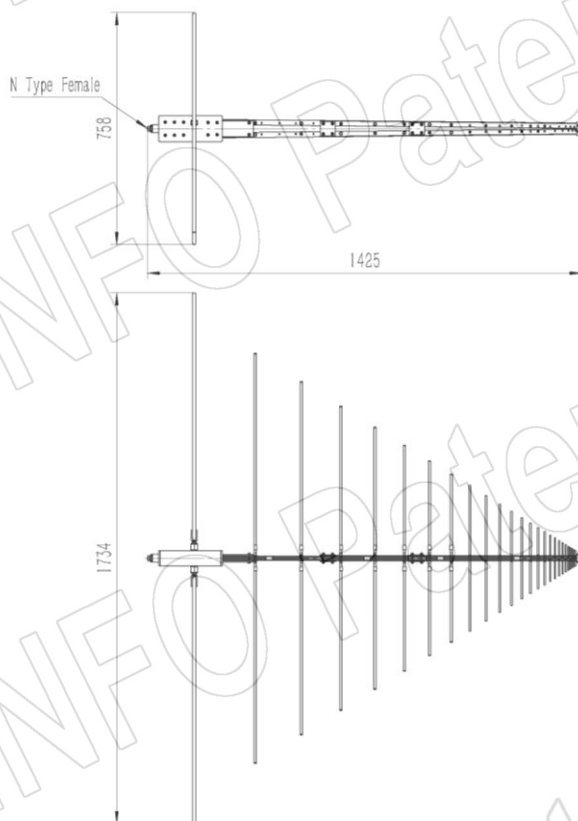
Frequency Range(GHz)	0.03 – 1.0
Gain(dBi)	6 Typ.
Polarization	Linear
3dB Beamwidth(deg)	E Plane: 100 - 70
	H Plane: 360 - 130
VSWR	10.0 Typ.(30-50MHz) 2.0 Typ.(50-100MHz) 1.5 Typ./ 2.0 Max.(100-1000MHz)
Output	N-Female
Average Power(W CW)	300
Peak Power(KW)	3
Material	Al
Size(mm)	1734 x 758 x 1601
Net Weight(Kg)	4.30 Around

PATENT ID (China)

ZL201630454596.2

Outline Drawing (Size: mm)

DS-3100 (P/N: DS-3100)



AINFO Inc.

Page 2 of 7

China(Beijing):
China(Chengdu):
USA :

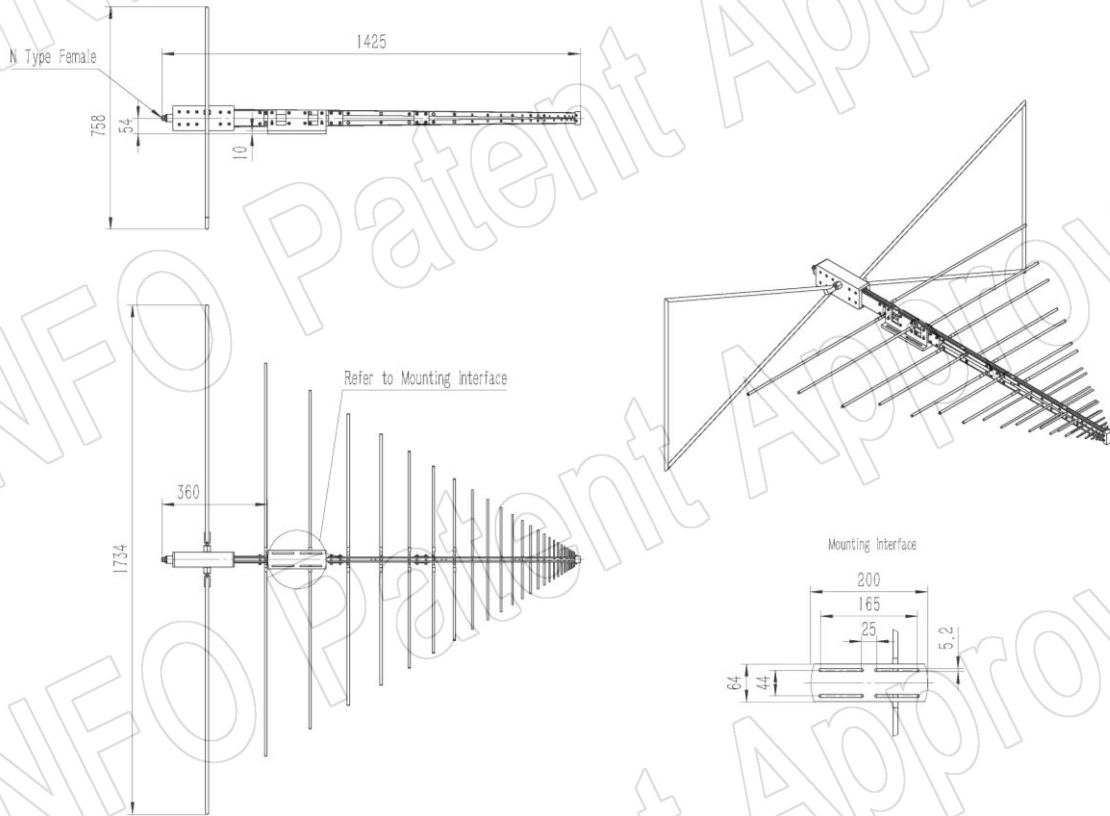
Tel: (+86) 10-6266-7326,
Tel: (+86) 28-8519-2786,
Tel: (+1) 949-639-9688,

(+86) 10-6266-7327
(+86) 28-8519-3044
(+1) 949-639-9608

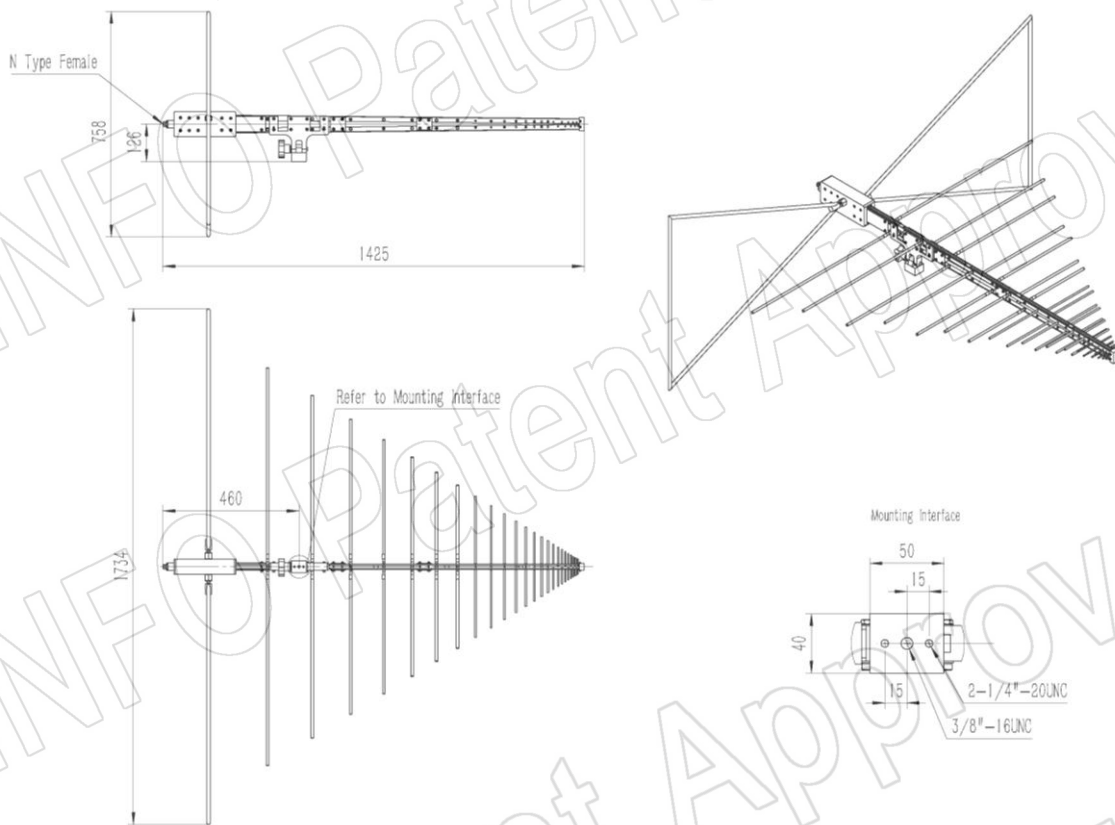
Fax: (+86) 10-6266-7379
Fax: (+86) 28-8519-3068
Fax: (+1) 949-639-9670

Website: www.ainfoinc.com
Email: sales@ainfoinc.com

DS-3100 with Mounting Bracket (Option, P/N: DS-3200-MB)



DS-3100 with Mounting Bracket for Tripod Application (Option, P/N: DS-3200-MBA)



AINFO Inc.

Page 3 of 7

China(Beijing):
China(Chengdu):
USA :

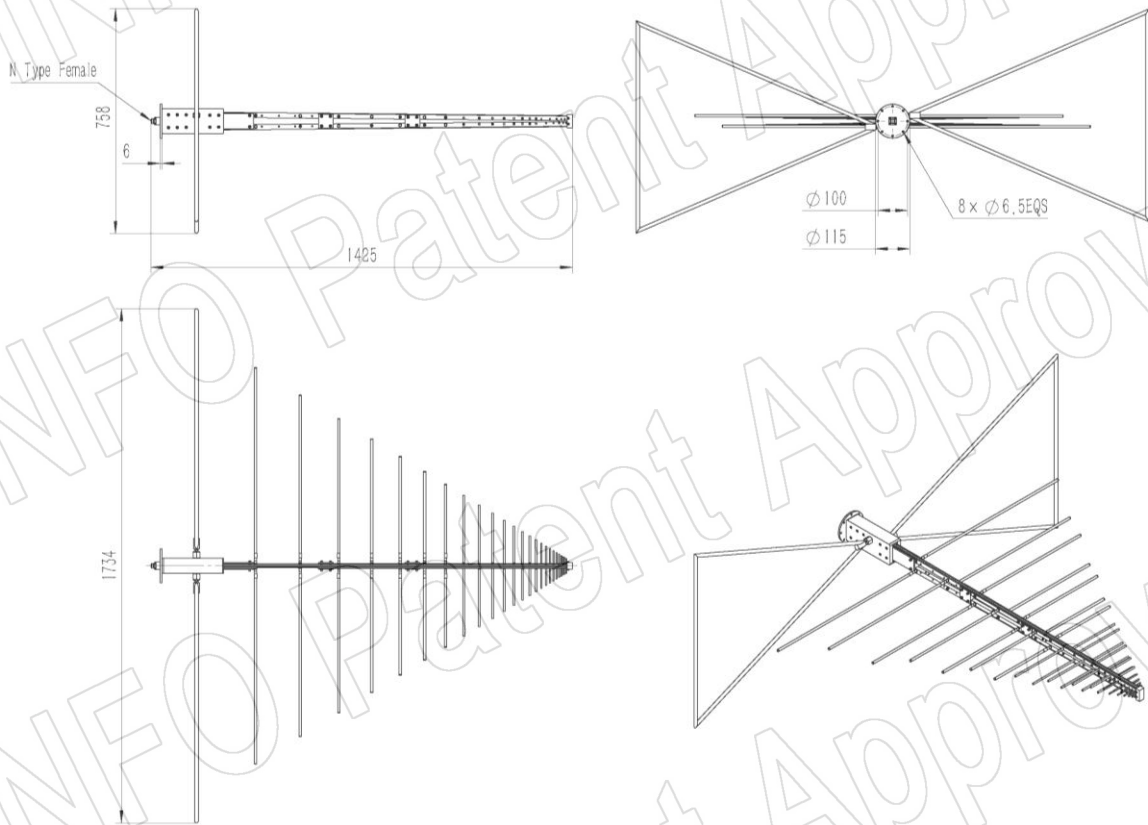
Tel: (+86) 10-6266-7326,
Tel: (+86) 28-8519-2786,
Tel: (+1) 949-639-9688,

(+86) 10-6266-7327
(+86) 28-8519-3044
(+1) 949-639-9608

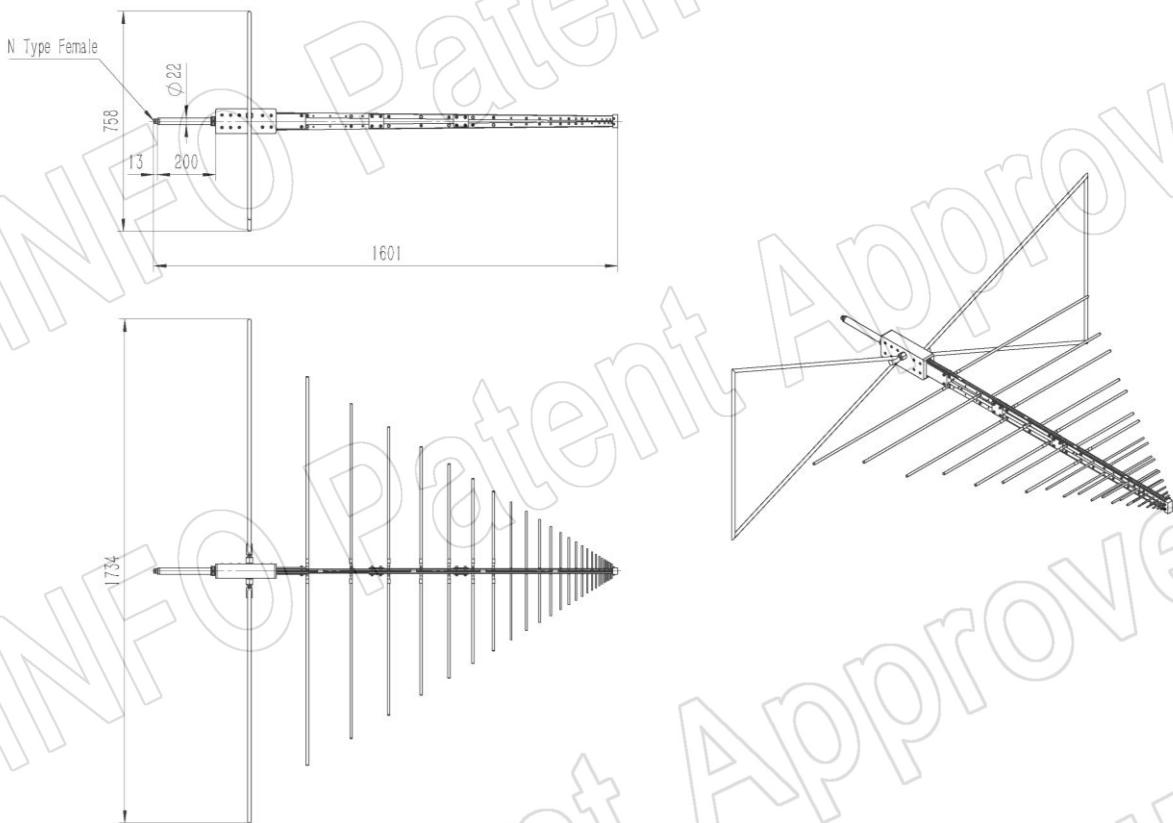
Fax: (+86) 10-6266-7379
Fax: (+86) 28-8519-3068
Fax: (+1) 949-639-9670

Website: www.ainfoinc.com
Email: sales@ainfoinc.com

DS-3100C (P/N: DS-3100C)



DS-3100E (P/N: DS-3100E)



AINFO Inc.

Page 4 of 7

China(Beijing):
China(Chengdu):
USA :

Tel: (+86) 10-6266-7326,
Tel: (+86) 28-8519-2786,
Tel: (+1) 949-639-9688,

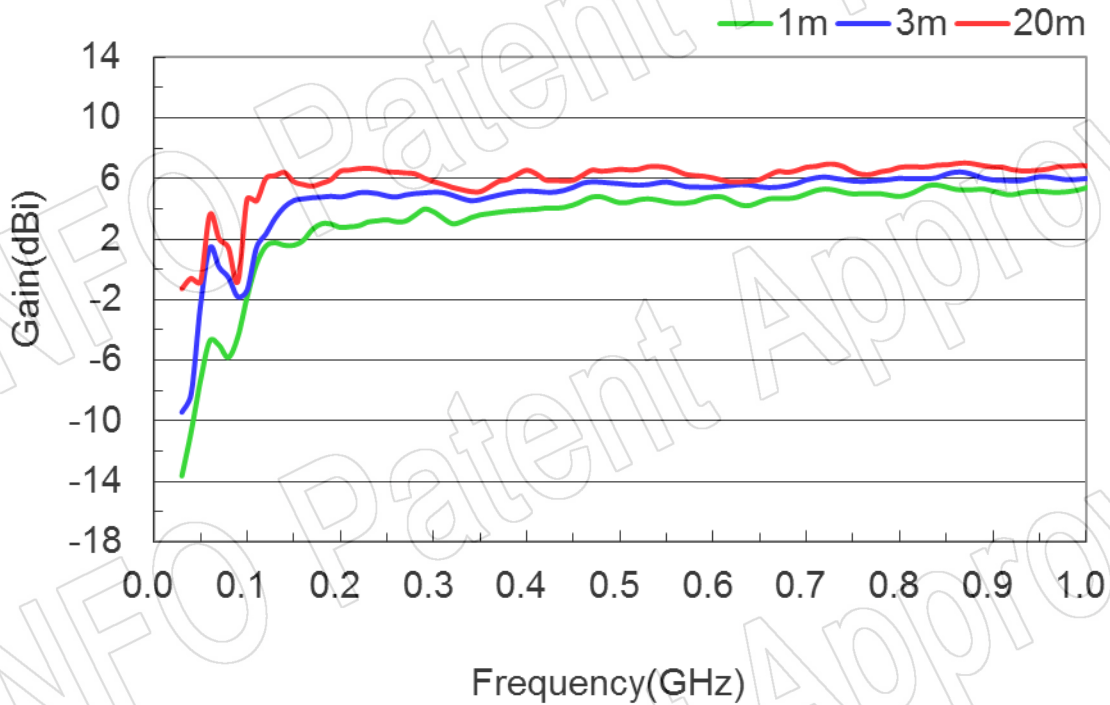
(+86) 10-6266-7327
(+86) 28-8519-3044
(+1) 949-639-9608

Fax: (+86) 10-6266-7379
Fax: (+86) 28-8519-3068
Fax: (+1) 949-639-9670

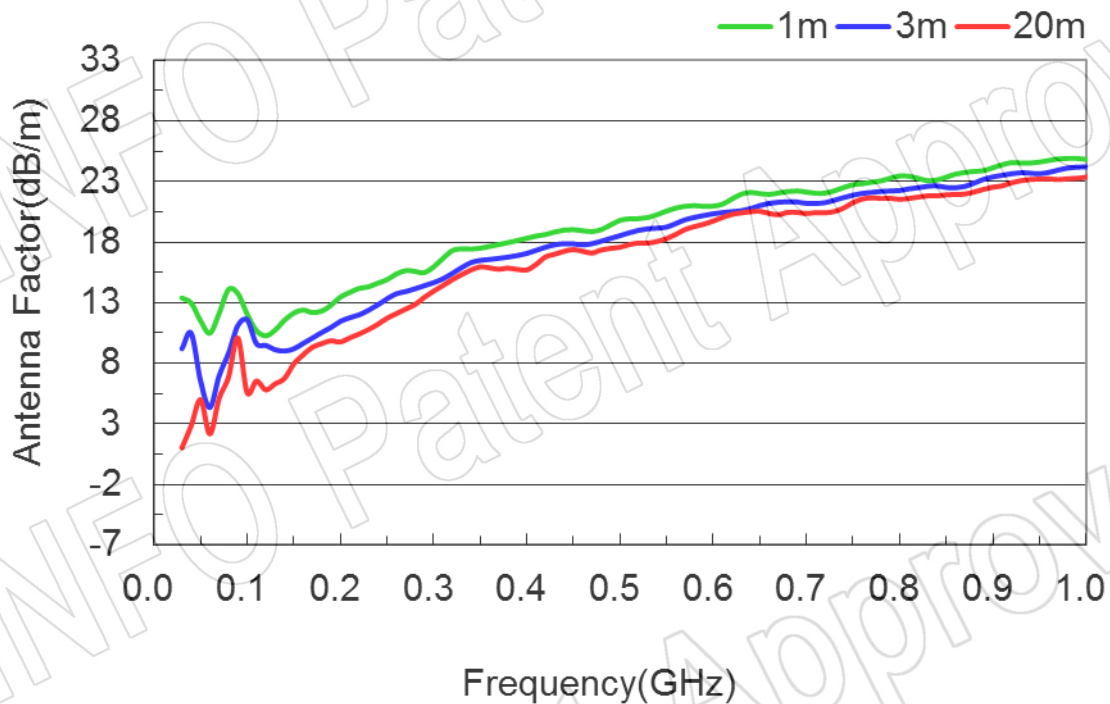
Website: www.ainfoinc.com
Email: sales@ainfoinc.com

Test Results

1. Gain



2. Antenna Factor



AINFO Inc.

Page 5 of 7

China(Beijing):
China(Chengdu):
USA :

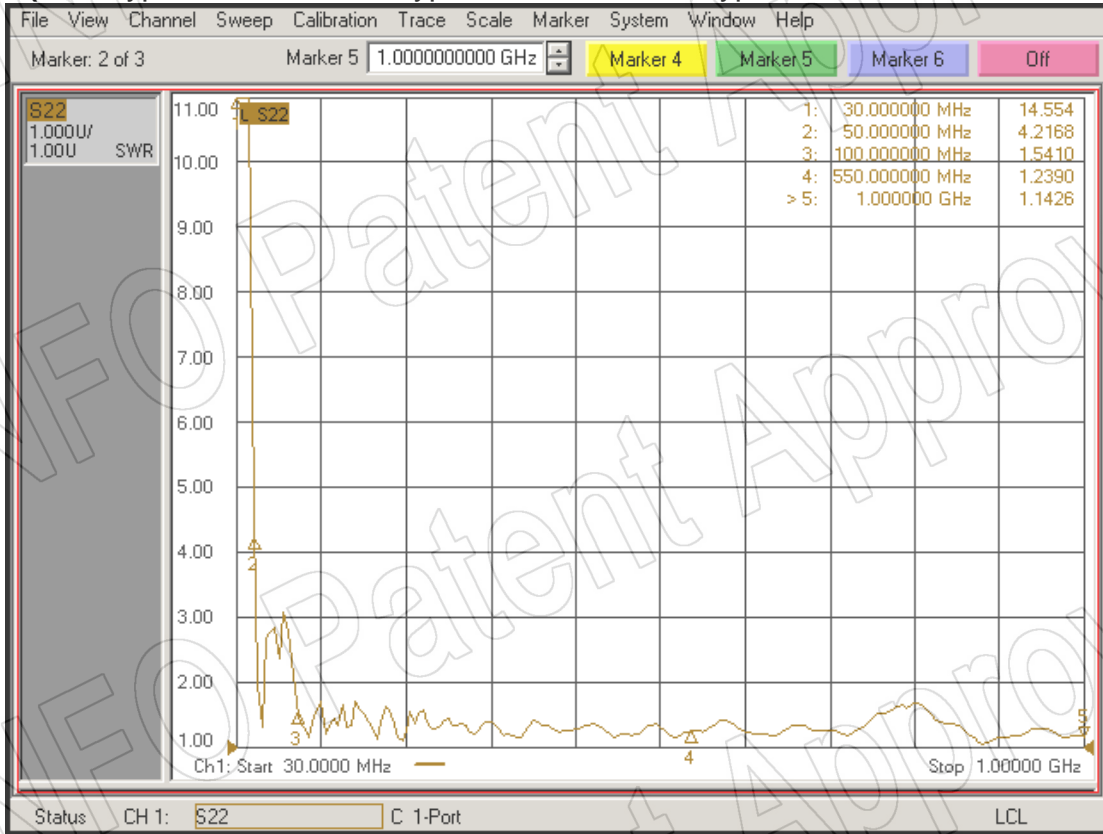
Tel: (+86) 10-6266-7326,
Tel: (+86) 28-8519-2786,
Tel: (+1) 949-639-9688,

(+86) 10-6266-7327
(+86) 28-8519-3044
(+1) 949-639-9608

Fax: (+86) 10-6266-7379
Fax: (+86) 28-8519-3068
Fax: (+1) 949-639-9670

Website: www.ainfoinc.com
Email: sales@ainfoinc.com

3. VSWR(10.0 Typ. 30-50MHz, 2.0 Typ. 50-100MHz, 1.5 Typ. / 2.0 Max. 100-1000MHz)



4. Pattern

