

QWCA-137-S WR-137 to SMA

Features:
* Low VSWR

Applications:
* Wireless
* Transmitter
* Laboratory Test
* Radar

Electrical

Frequency: 5.38–8.17GHz
VSWR: 1.2 max.

Mechanical

Coax Connectors: SMA
Waveguide Size: WR-137
Flange: FDP70/FDM70
Material: Aluminium

Environmental

Operating Temperature: -70~+165°C

How To Order

QWCA-137-X-Y-Z

X : Connector type.
Y : Configuration type.
Z : Flange type if applicable.

Connector naming rules:

S - SMA Male (Outline A, Outline B)
SF - SMA Female (Outline A, Outline B)

Configuration naming rules:

E - End launch
R - Right angle (Outline A, Outline B)

Flange naming rules:

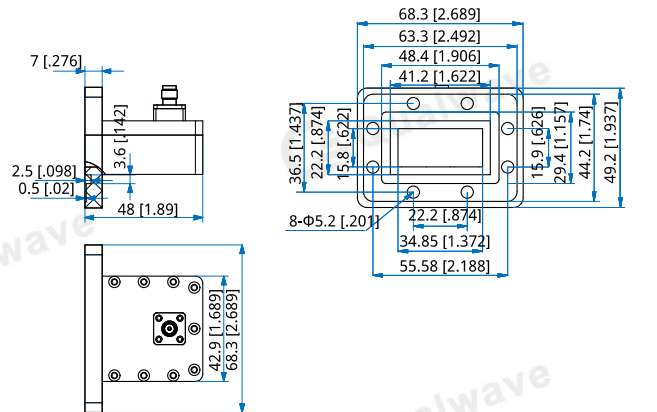
1 - FBP
2 - FDP (Outline B)
3 - FBM
4 - FDM (Outline A)

Examples:

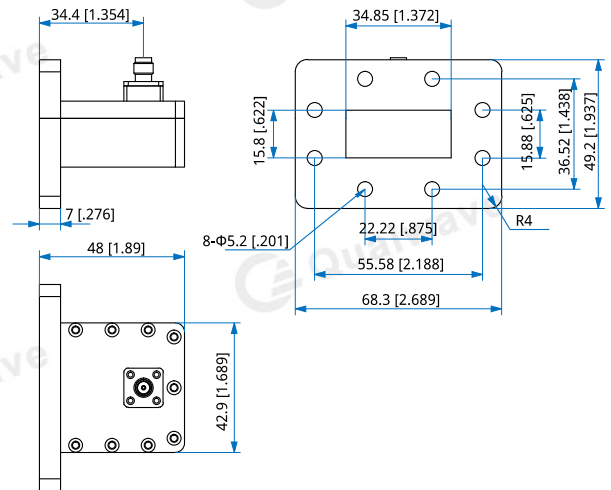
To order a waveguide to coax adapter, WR-137 to SMA female, right angle, FDM, specify QWCA-137-SF-R-4.

Customization is available upon request.

Outline Drawings



Outline A



Outline B

Unit: mm [in]
Tolerance: ±0.2mm [±0.008in]