

Technical Specification



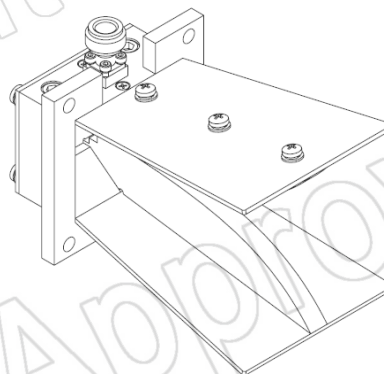
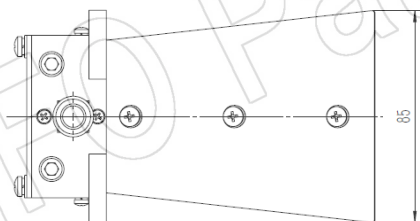
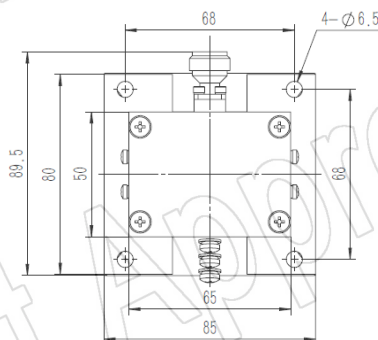
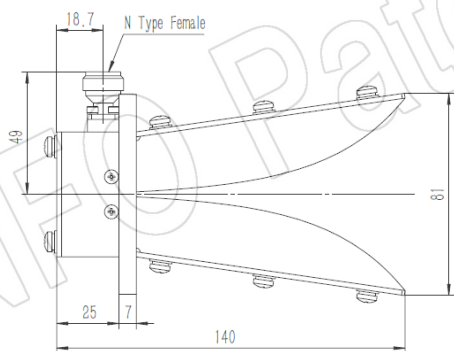
Frequency Range(GHz)	1.0 – 8.0
Gain(dBi)	10 Typ.
Polarization	Linear
3dB Beamwidth(deg)	E Plane: 121 - 27
	H Plane: 229 - 43
Cross Pol. Isolation(dB)	25 Typ.
VSWR	2.5:1 Typ.
Connector	N-Female
	or SMA-Female
Power Handling(W CW)	N-Female: 150 Max.
	SMA-Female: 50 Max.
Material	Al
Size(mm)	85 x 89.5 x 140
Net Weight(Kg)	0.5 Around

PATENT ID (China)

ZL201630454645.2

Outline Drawing (Size: mm)

N-Female Output (P/N: LB-10180-M-NF)



AINFO Inc.

China(Beijing):
China(Chengdu):
USA :

Tel: (+86) 10-6266-7326,
Tel: (+86) 28-8519-2786,
Tel: (+1) 949-639-9688,

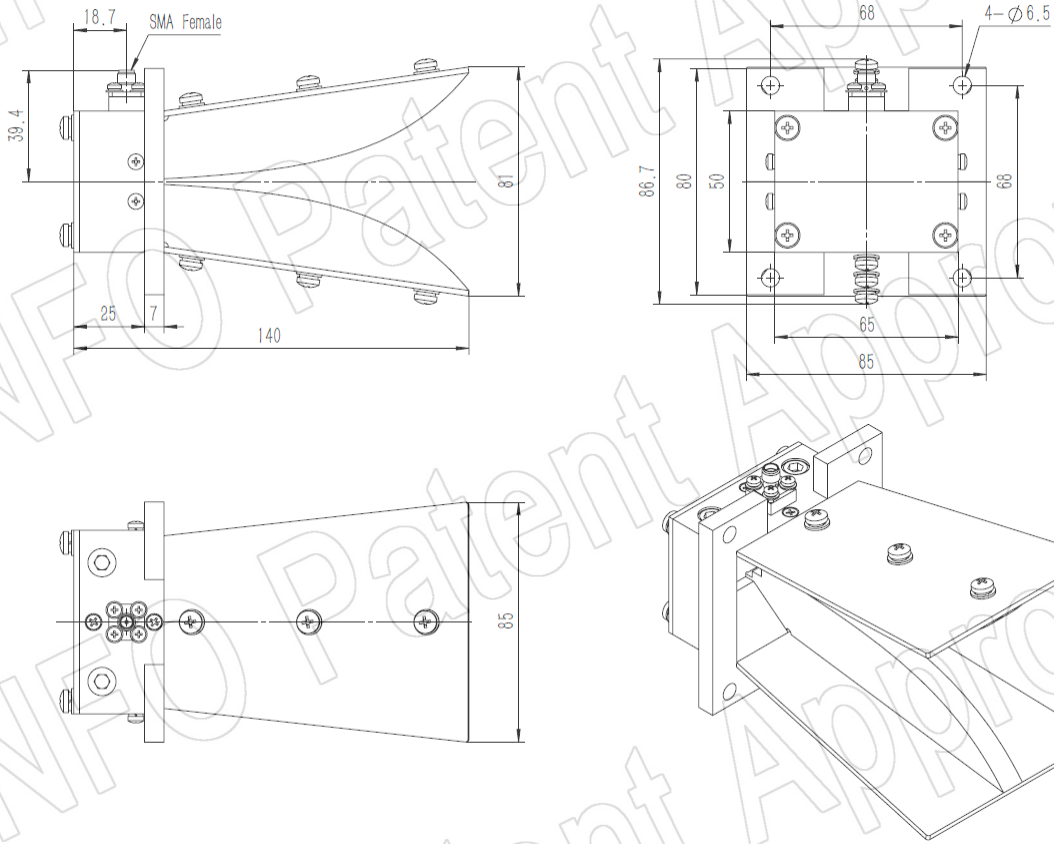
(+86) 10-6266-7327
(+86) 28-8519-3044
(+1) 949-639-9608

Fax: (+86) 10-6266-7379
Fax: (+86) 28-8519-3068
Fax: (+1) 949-639-9670

Website: www.ainfoinc.com
Email: sales@ainfoinc.com

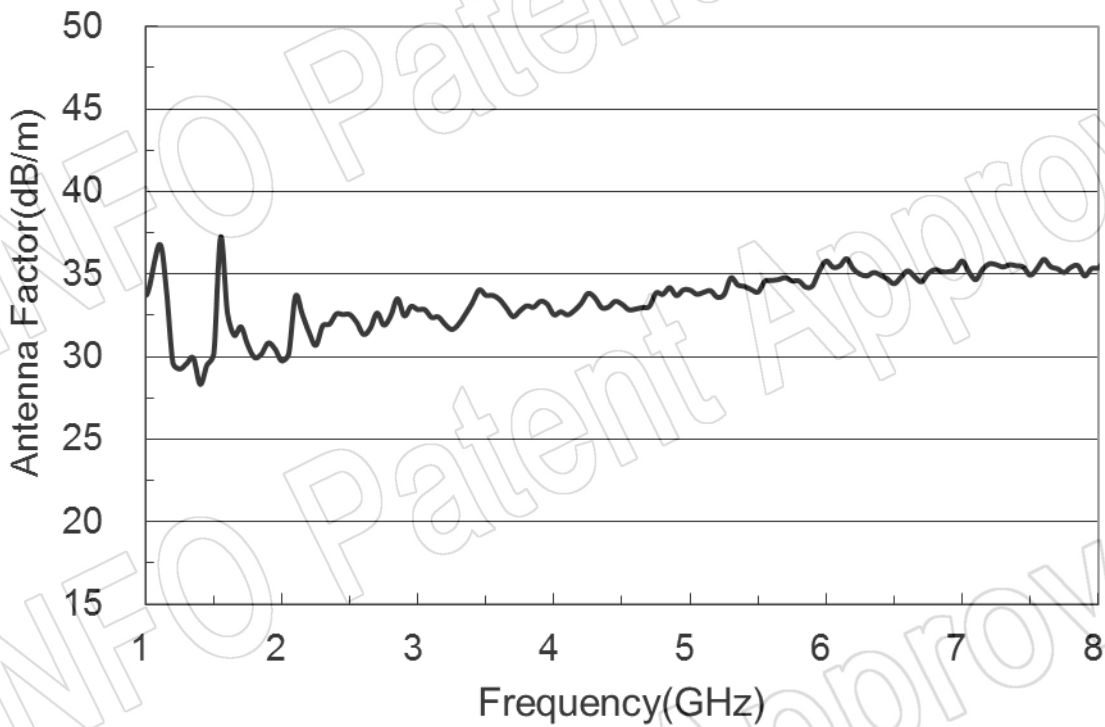
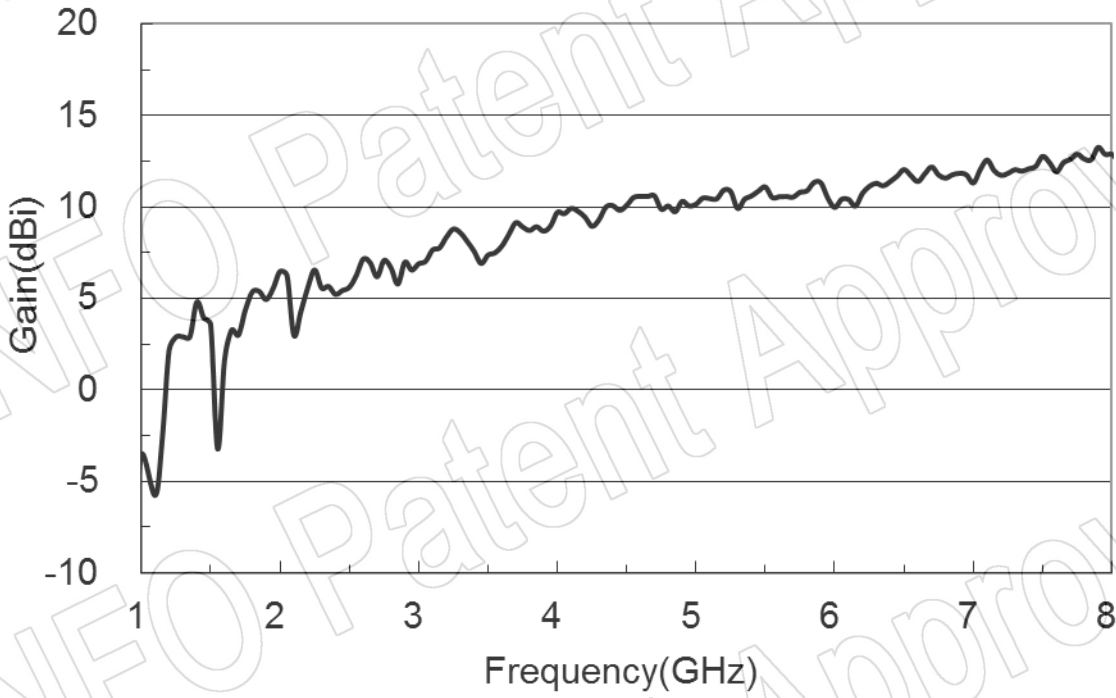
Page 1 of 7

SMA-Female Output (P/N: LB-10180-M-SF)

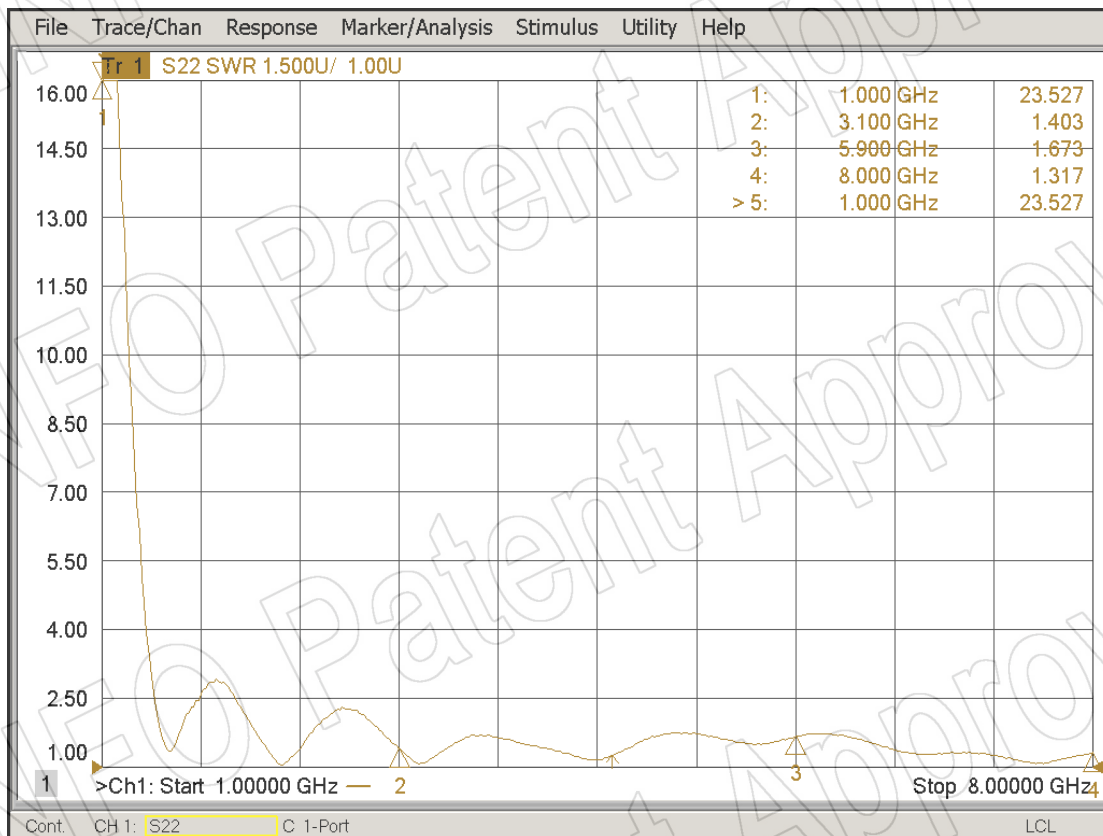


Test Results

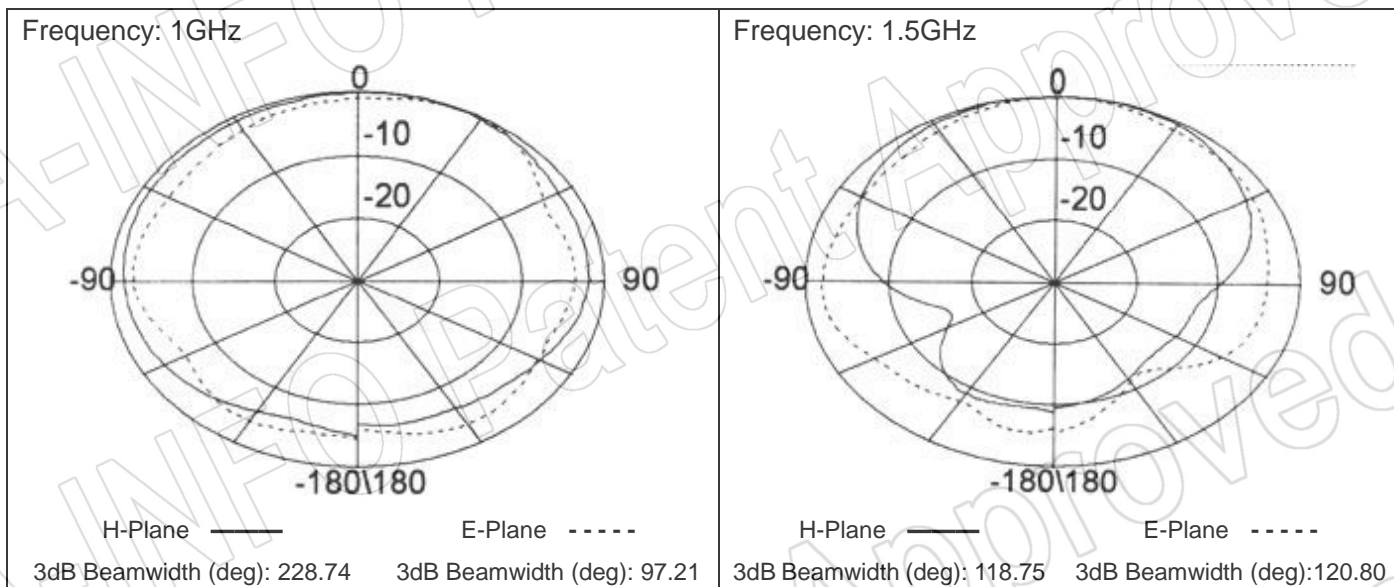
1. Gain & Antenna Factor

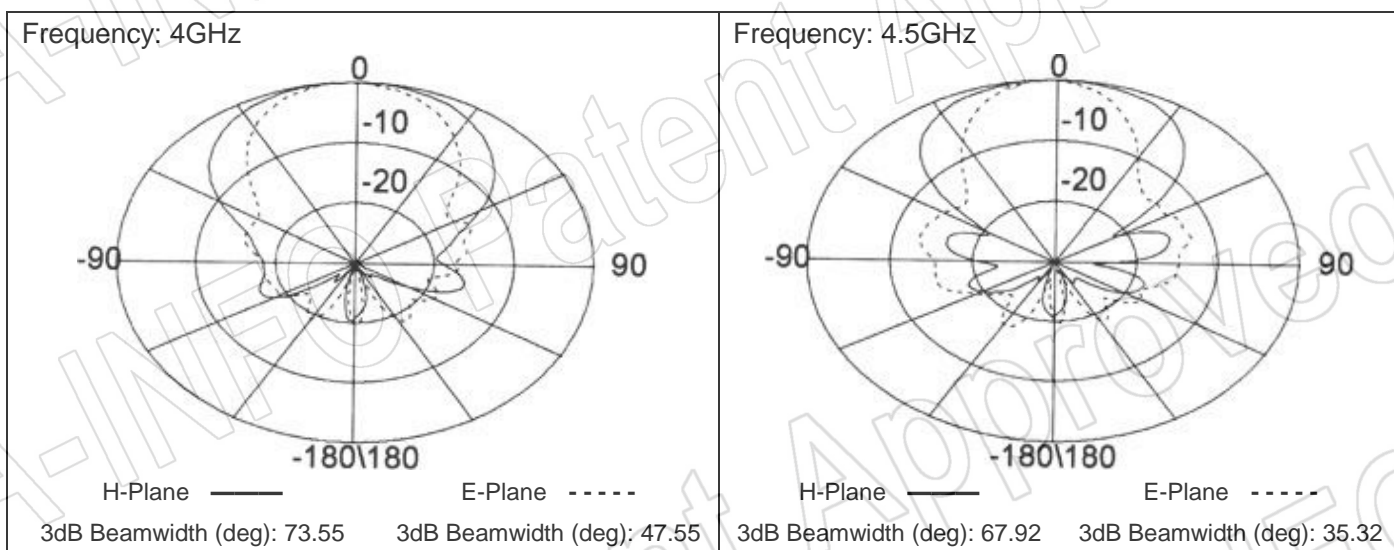
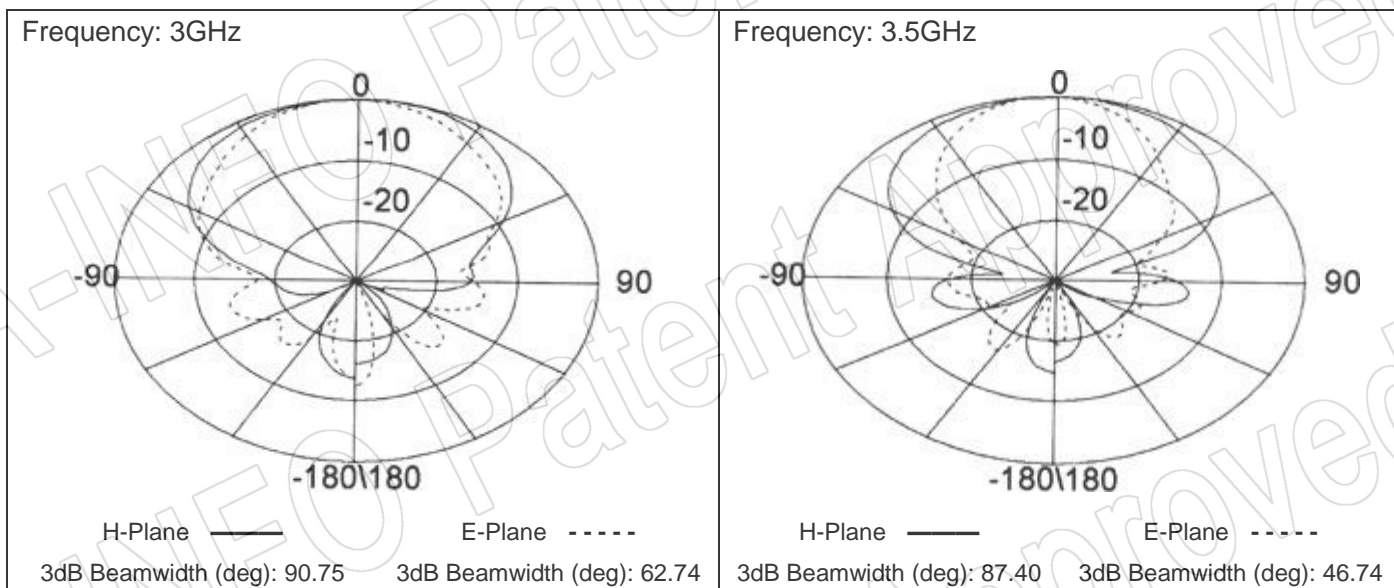
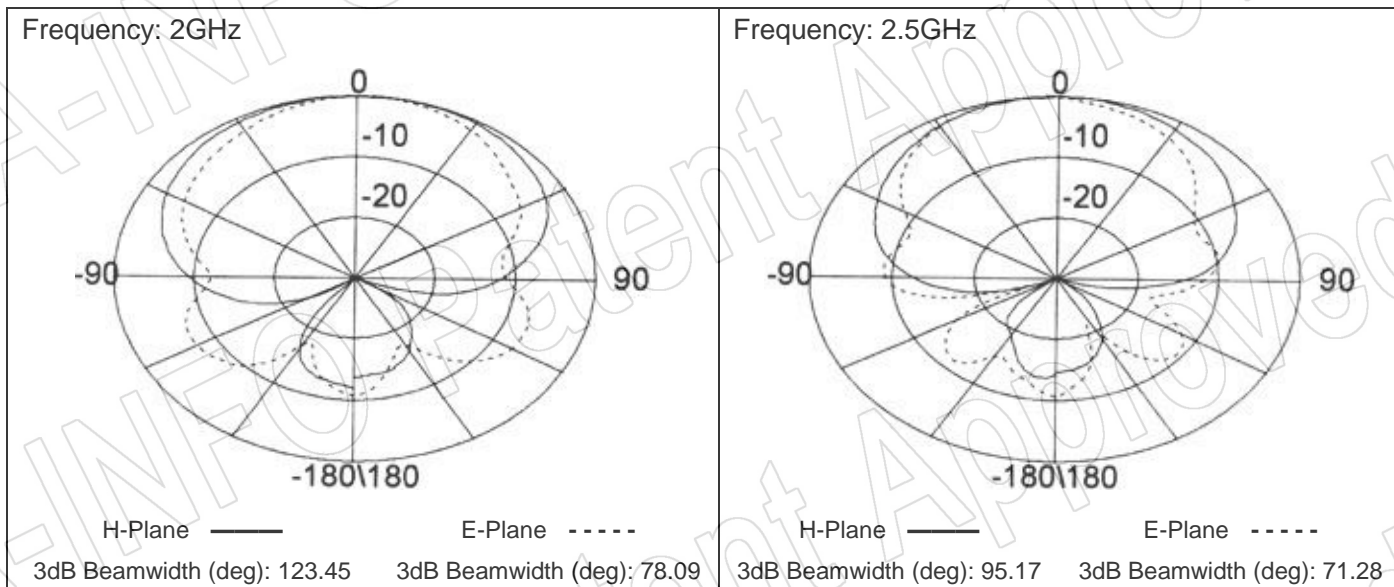


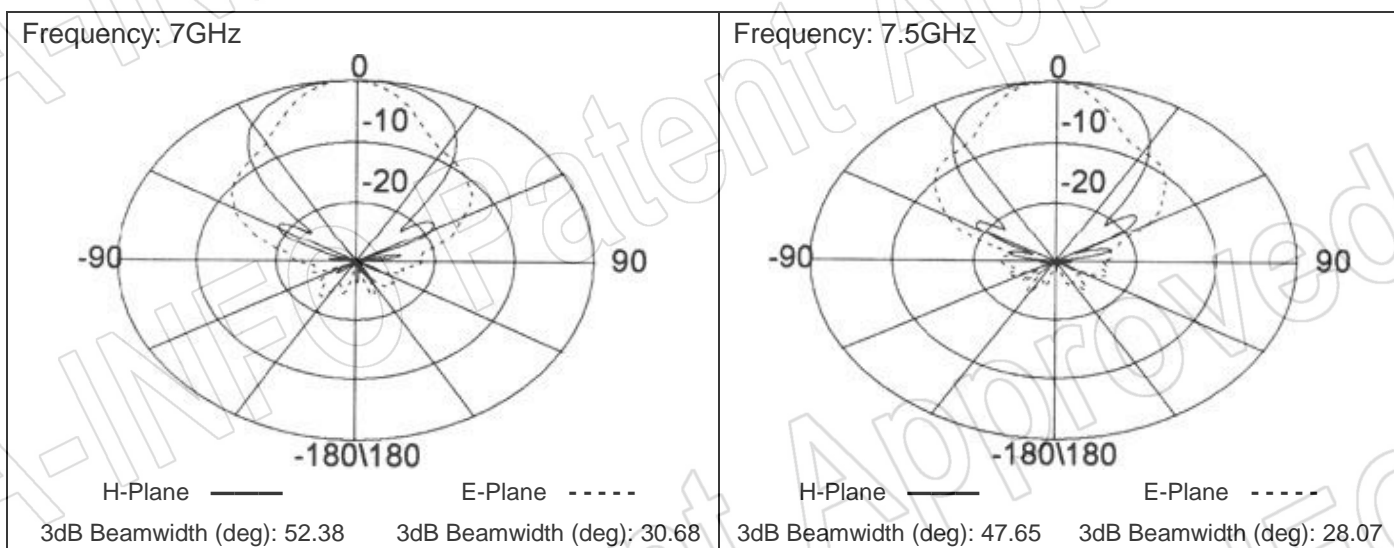
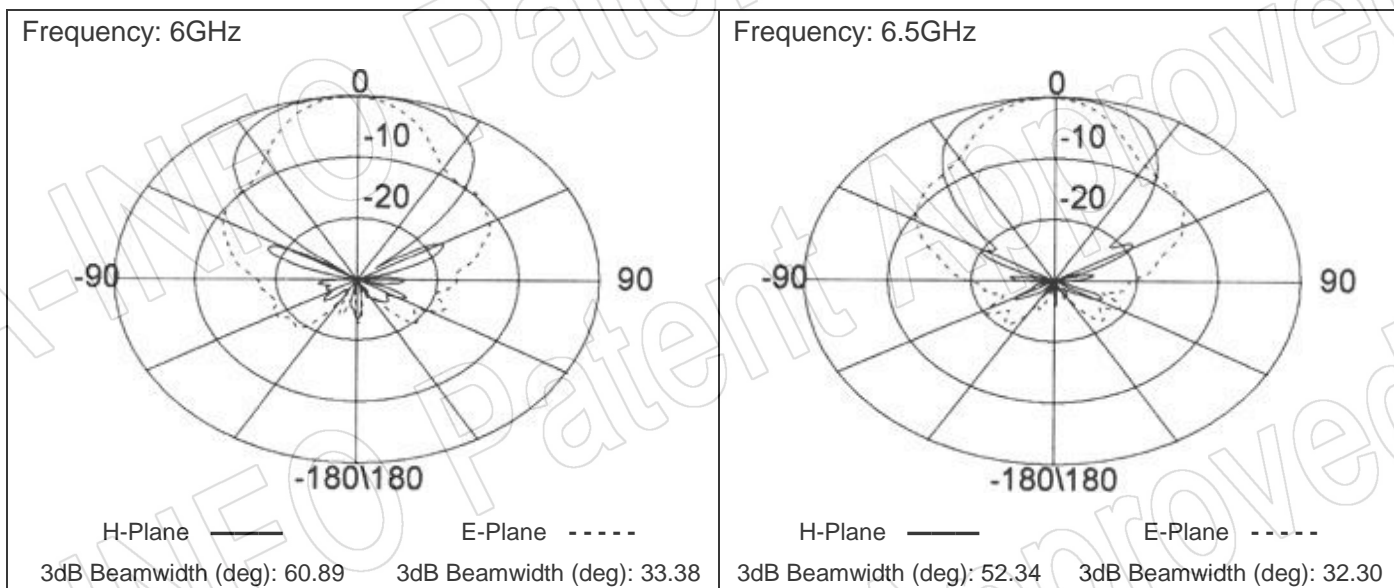
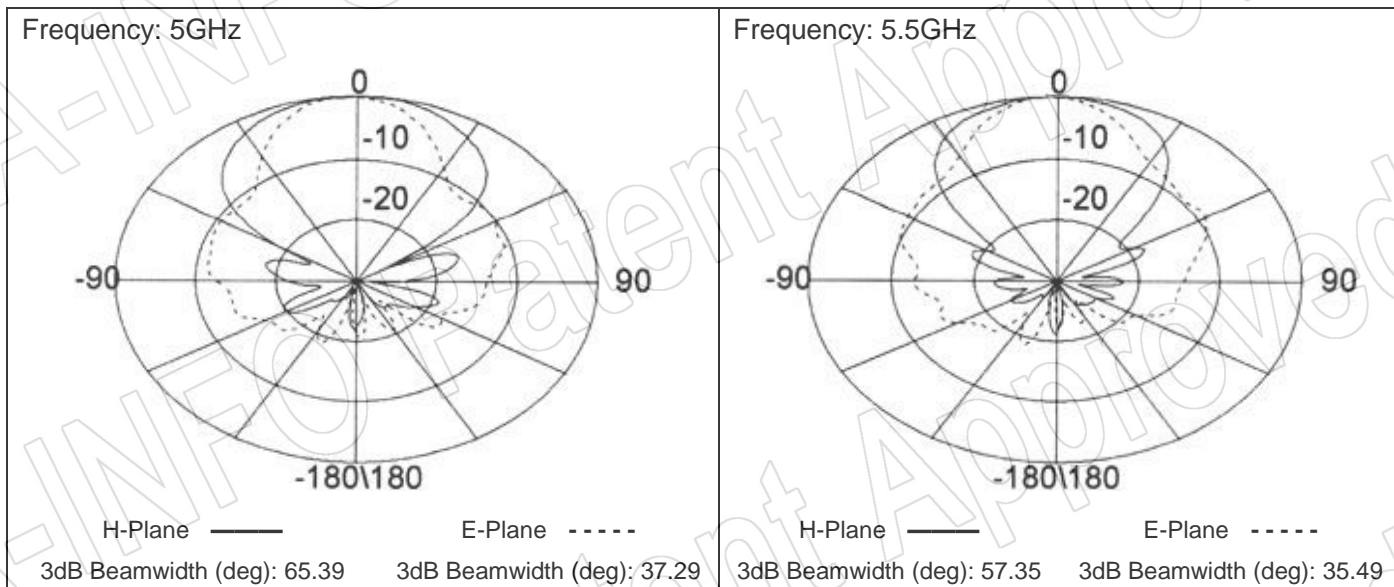
2. VSWR

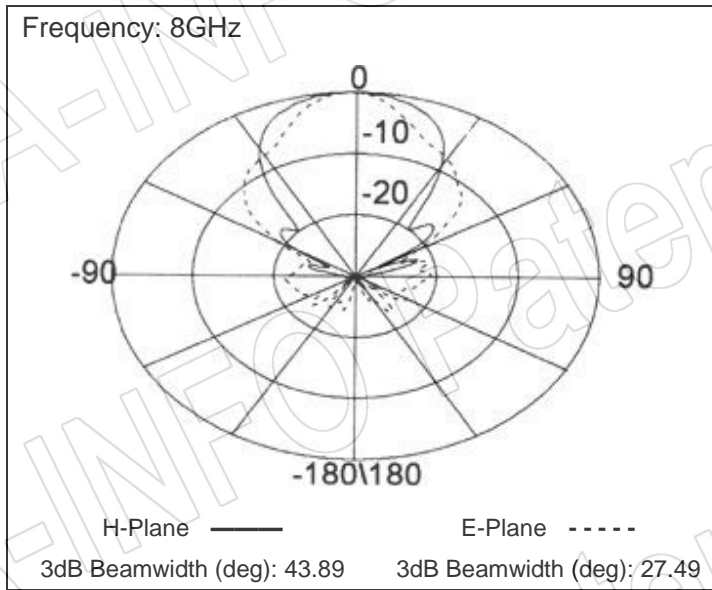


3. Pattern









AINFO Inc.

China(Beijing):
China(Chengdu):
USA :

Tel: (+86) 10-6266-7326,
Tel: (+86) 28-8519-2786,
Tel: (+1) 949-639-9688,

(+86) 10-6266-7327
(+86) 28-8519-3044
(+1) 949-639-9608

Fax: (+86) 10-6266-7379
Fax: (+86) 28-8519-3068
Fax: (+1) 949-639-9670

Website: www.ainfoinc.com
Email: sales@ainfoinc.com