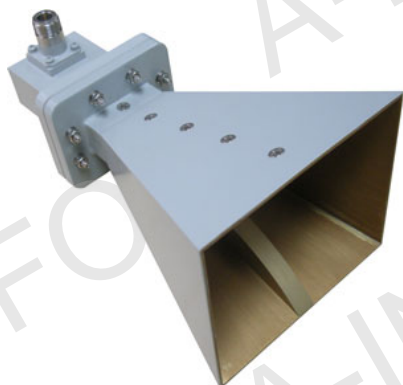


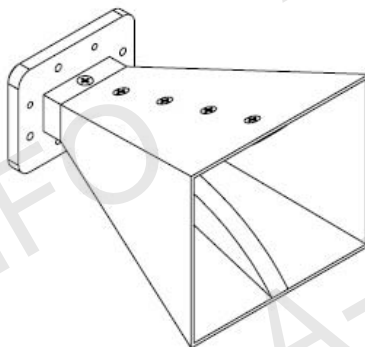
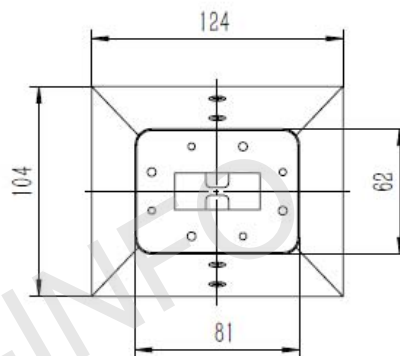
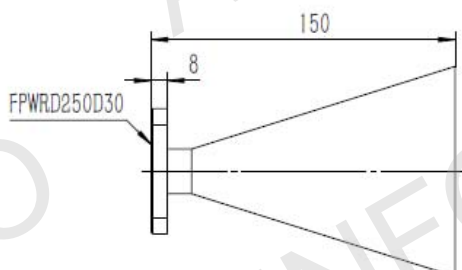
Technical Specification



Frequency Range(GHz)	2.6 - 7.8
Gain(dB)	10 Typ.
Polarization	Linear
3dBBeamwidth(deg)	60-20
VSWR	2.0 Max
Waveguide(A Type)	FPWRD250D30
Adapter(C Type)	250DRWCAN or 250DRWCAS
Connector(C Type)	N-Female or SMA-Female
Size(mm)	A Type: 124x104x150 / C Type: 124x104x217
Net Weight(Kg)	A Type: 0.5 Around / C Type: 0.8 Around

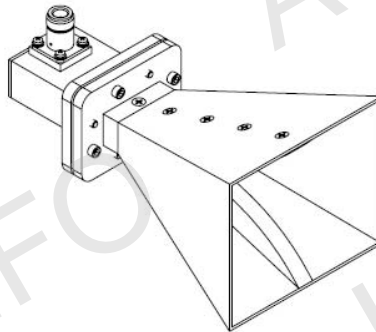
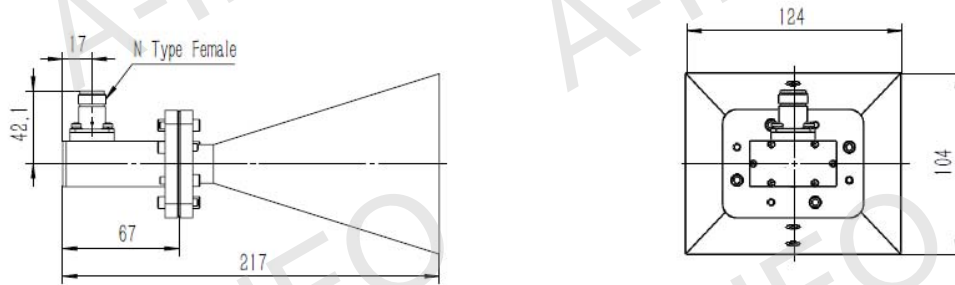
Outline Drawing (Size: mm)

A Type(With FPWRD250D30 Output)



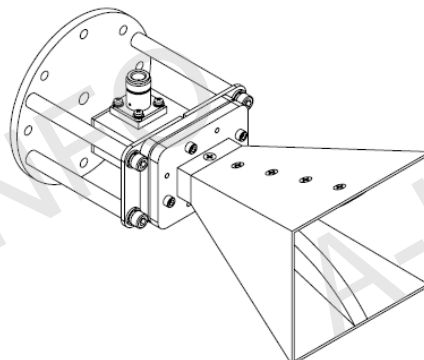
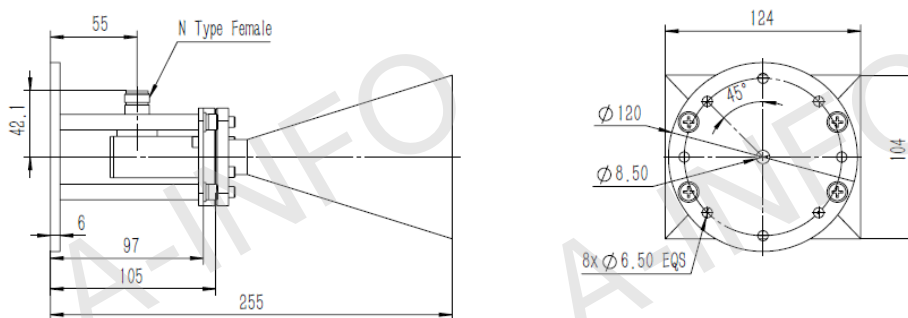
C Type (With N-Female Output)

For SMA-Female output outline drawing, please contact A-INFO.



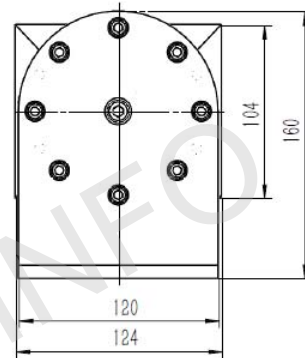
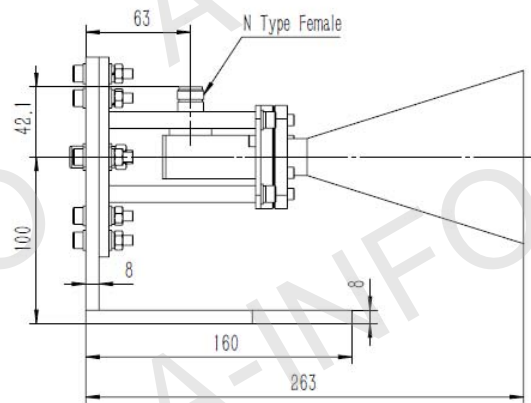
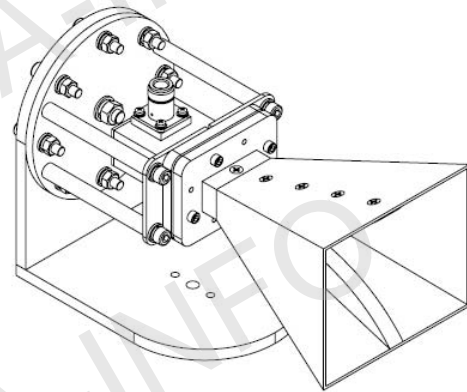
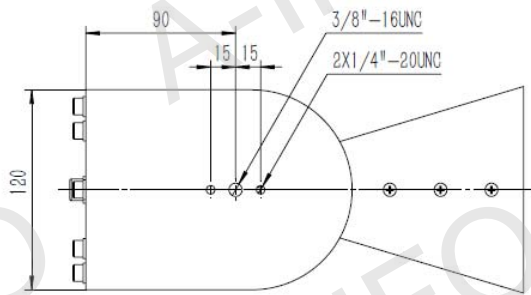
C Type(With N-Female Output & Round Mounting Bracket)

For SMA-Female output outline drawing, please contact A-INFO.



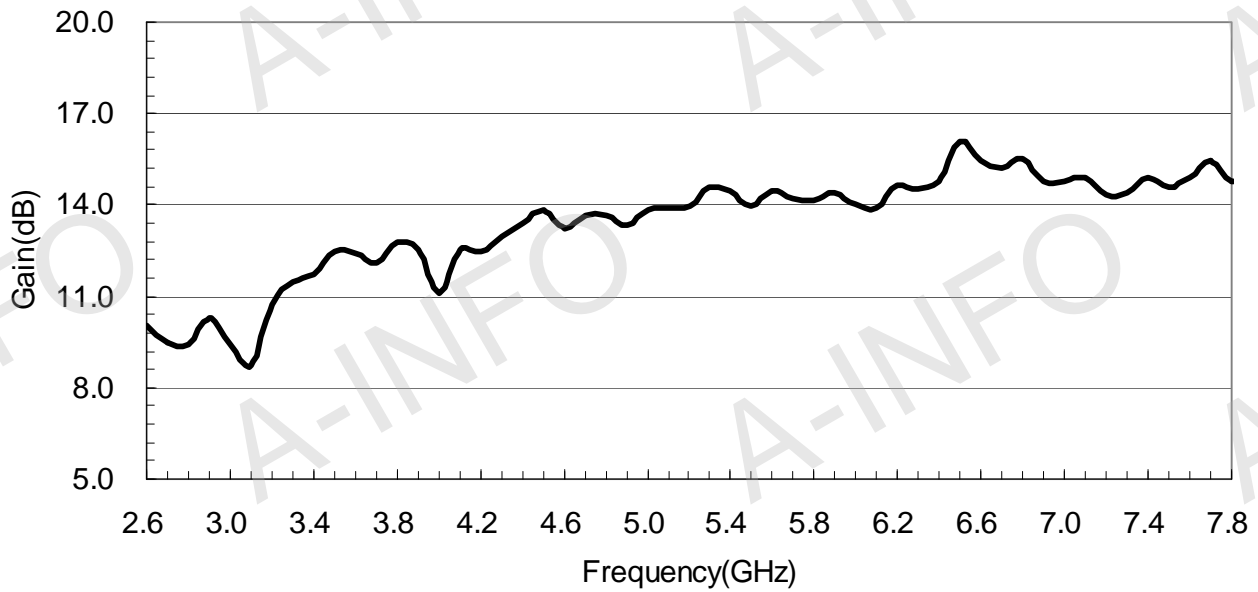
C Type (With N-Female Output & L Type Mounting Bracket)

For SMA-Female output outline drawing, please contact A-INFO

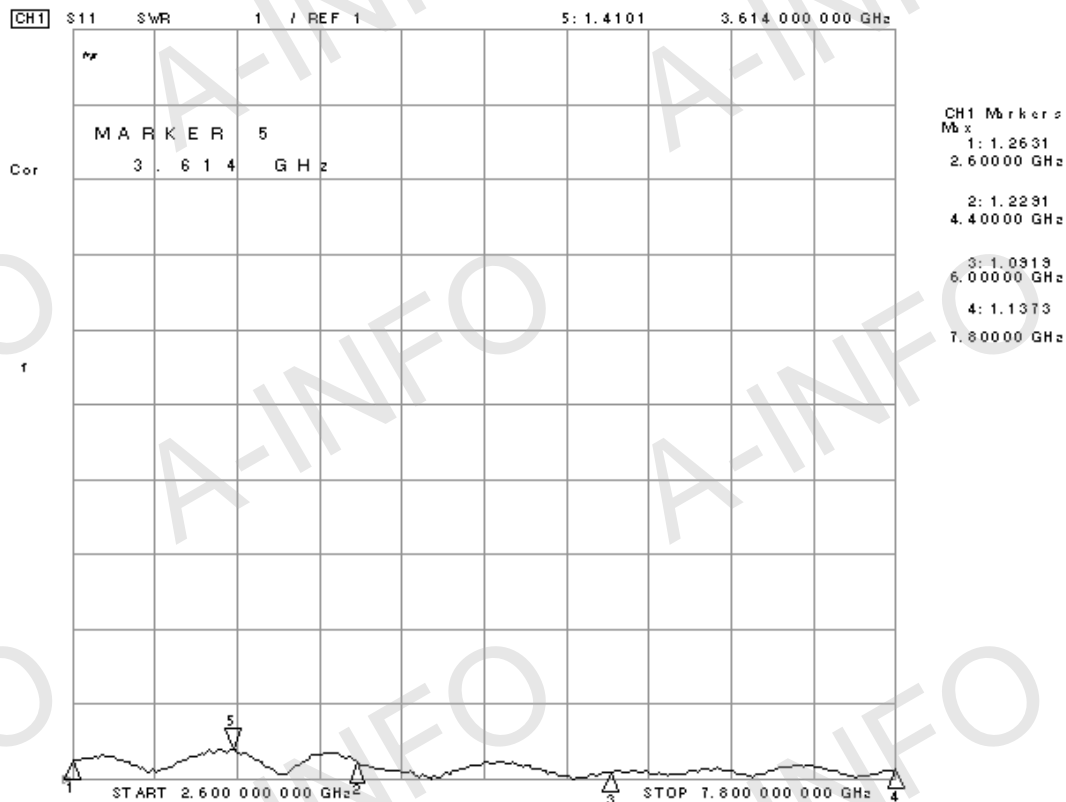


Test Results

1. Gain

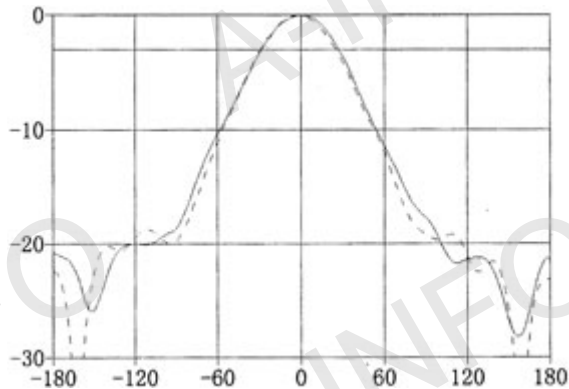


2. VSWR



3. Pattern

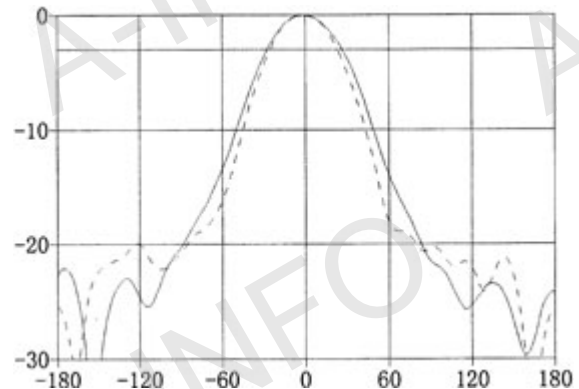
2.6GHz



H-Plane ——— E-Plane - - - - -

3dB Beamwidth(deg): 55.23 3dB Beamwidth(deg): 54.05

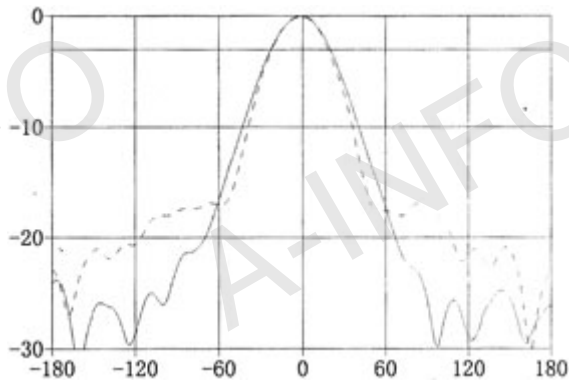
3.0GHz



H-Plane ——— E-Plane - - - - -

3dB Beamwidth(deg): 53.88 3dB Beamwidth(deg): 48.37

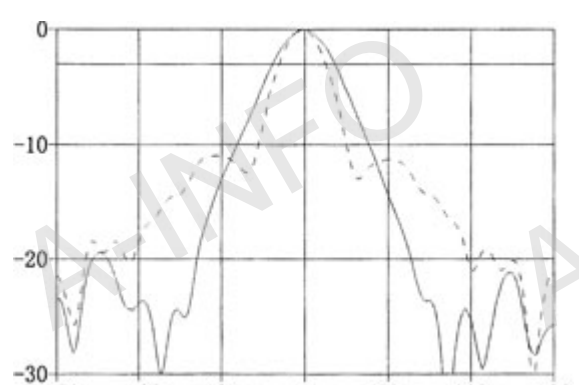
3.5GHz



H-Plane ——— E-Plane - - - - -

3dB Beamwidth(deg): 42.89 3dB Beamwidth(deg): 40.58

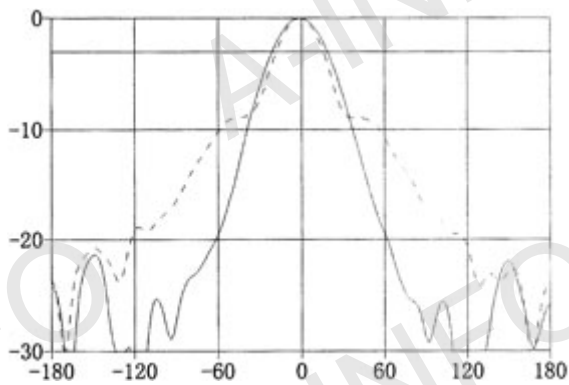
4.0GHz



H-Plane ——— E-Plane - - - - -

3dB Beamwidth(deg): 44.77 3dB Beamwidth(deg): 33.53

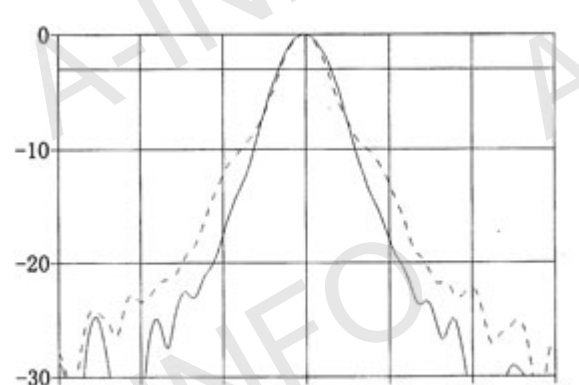
4.5GHz



H-Plane ——— E-Plane - - - - -

3dB Beamwidth(deg): 39.45 3dB Beamwidth(deg): 33.56

5.0GHz



H-Plane ——— E-Plane - - - - -

3dB Beamwidth(deg): 37.67 3dB Beamwidth(deg): 33.54

