

QPD3-700-4000-30

3-Way, 0.7~4GHz

Features:

- * Small Size
- * Low Insertion Loss

Applications:

- * Amplifiers
- * Mixers
- * Antennas
- * Laboratory Test

Electrical

Frequency:	0.7~4GHz
Insertion Loss:	1.2dB max. (SMA) 1.4dB max. (N)
Input VSWR:	1.3 max.
Output VSWR:	1.2 max.
Isolation:	20dB min.
Amplitude Balance:	±0.5dB
Phase Balance:	±5°
Impedance:	50Ω
Power @SUM Port:	30W max. as divider 2W max. as combiner

Mechanical

Mounting: 4-Φ3.2mm through-hole

Environmental

Operation Temperature: -35~+75°C

How To Order

QPD3-700-4000-30-Y

Y: Connector type

Connector naming rules:

S - SMA Female (Outline A)

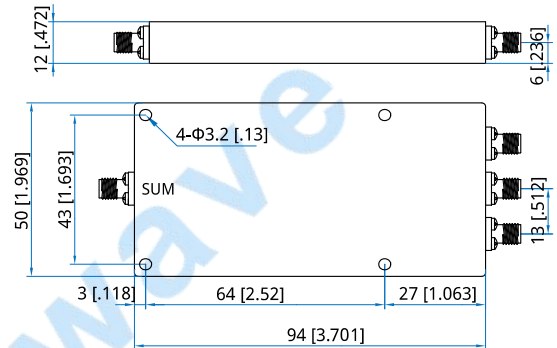
N - N Female (Outline B)

Examples:

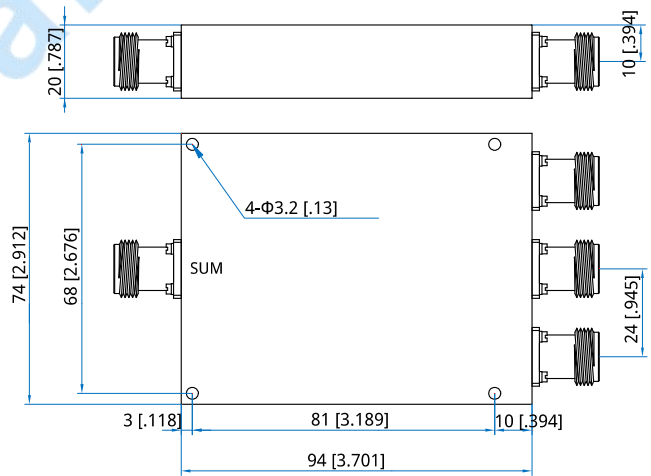
To order a 3-way power divider, 0.7~4GHz, 30W, N female, specify QPD3-700-4000-30-N.

Customization is available upon request.

Outline Drawings



Outline A



Outline B

Unit: mm [in]

Tolerance: ±0.5mm [±0.02in]