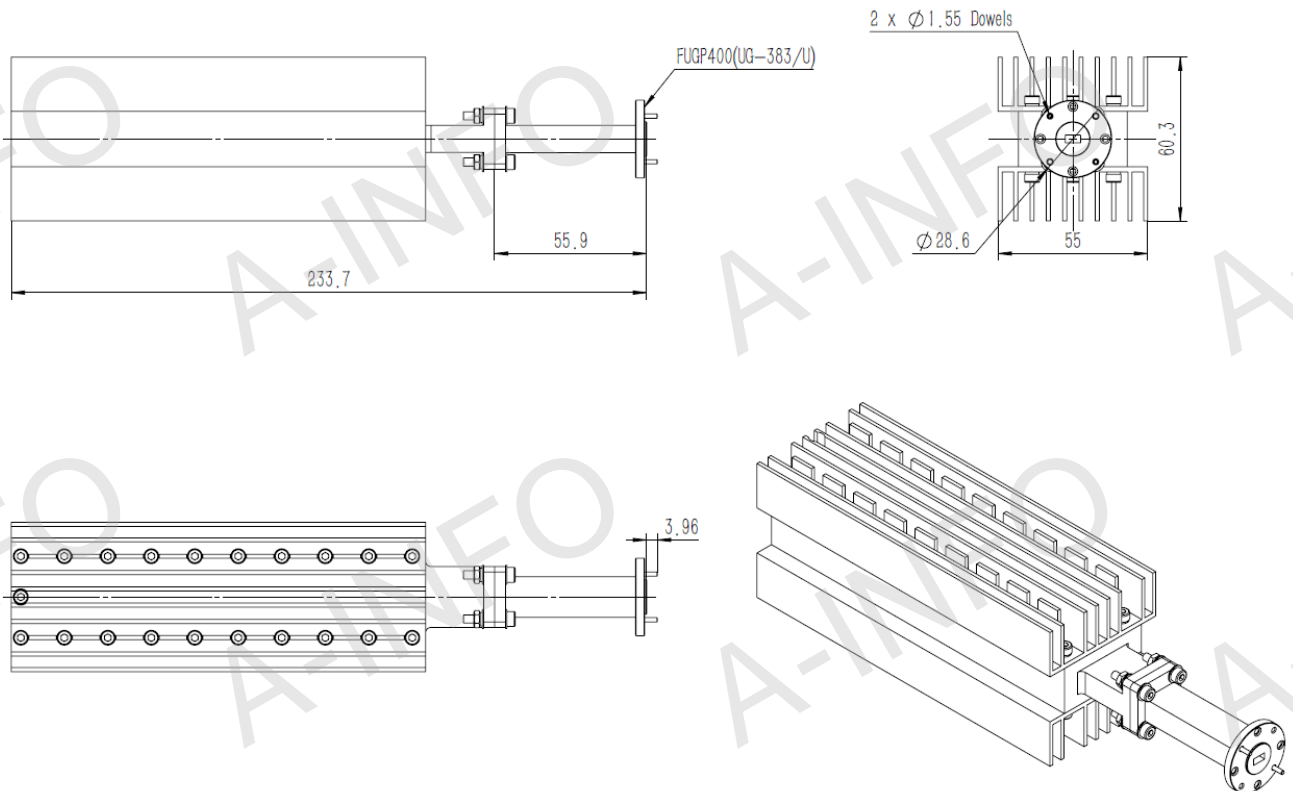


## Technical Specification

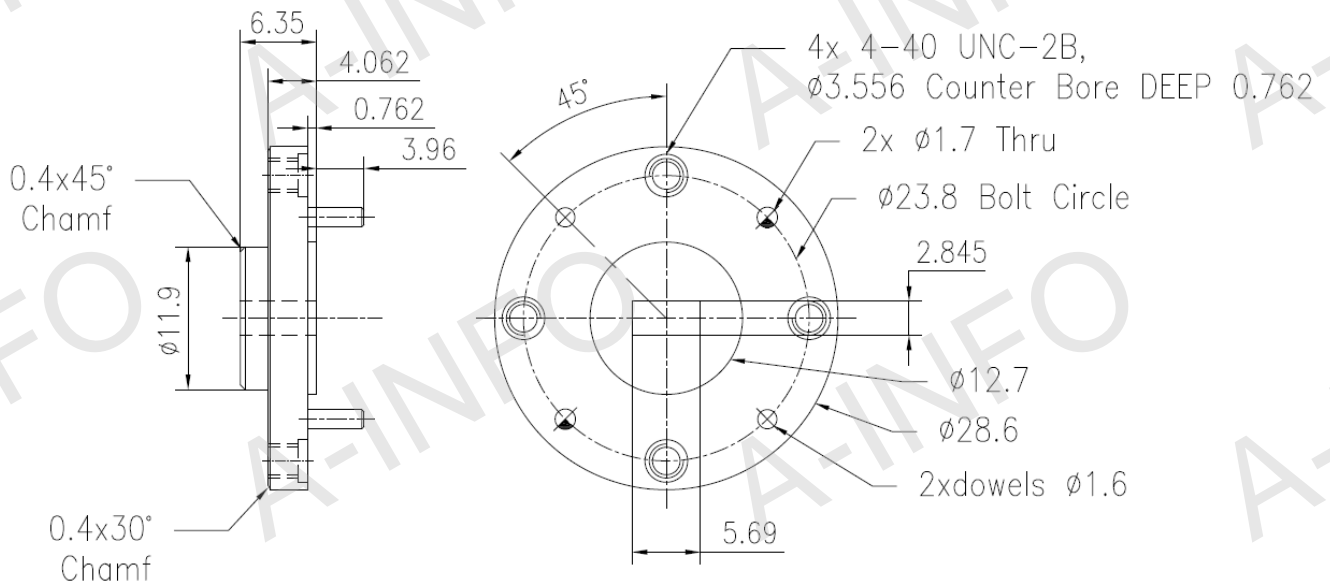


EIA WR	WR22
Frequency Range(GHz)	33.0-50.0
VSWR	1.2:1 Max.
Average Power(W)	300 CW
Peak Power(KW)	60
Flange	FUGP400 (UG-383/U)
Material	Al
Size(mm) LxBxC	233.7 x 55 x 60.3
Net Weight(Kg)	0.75 Around

## Outline Drawing (Size: mm)



## Flange Drawing (Size: mm)



FUGP400  
(equivalent to UG-383/U)

AINFO Inc.

Page 2 of 3

China(Beijing):  
China(Chengdu):  
USA:

Tel: (+86) 10-6266-7326,  
Tel: (+86) 28-8519-2786,  
Tel: (+1) 949-639-9688,

(+86) 10-6266-7327  
(+86) 28-8519-3044  
(+1) 949-639-9608

Fax: (+86) 10-6266-7379  
Fax: (+86) 28-8519-3068  
Fax: (+1) 949-639-9670

Website: [www.ainfoinc.com](http://www.ainfoinc.com)  
Email: [sales@ainfoinc.com](mailto:sales@ainfoinc.com)

## Test Results

### VSWR

