

SPA--2-6-20 Solid State Power Amplifier

(2GHz - 6GHz, 20W)

Key Features

- Multi-octave broadband performance
- High output power
- Wide dynamic range
- High-efficiency GaN technology
- Low power consumption
- Low spurious signal
- Forward/reverse power monitoring
- Extremely load-resistant
- Over voltage, over temperature, over current protection
- Optional overdrive protection
- CE, RoHS certification



Overview

Saluki SPA-2-6-20 is a solid-state RF power amplifier with an output frequency of 2GHz to 6GHz and an output power of 20W. Its design is based on the most advanced GaN technology in the industry, and its power output is efficient and reliable. It is mainly used for testing and measuring instruments, Communication or interference, aviation control and other fields. The product has functions such as temperature and current detection, alarm protection and so on.

Technical Specifications

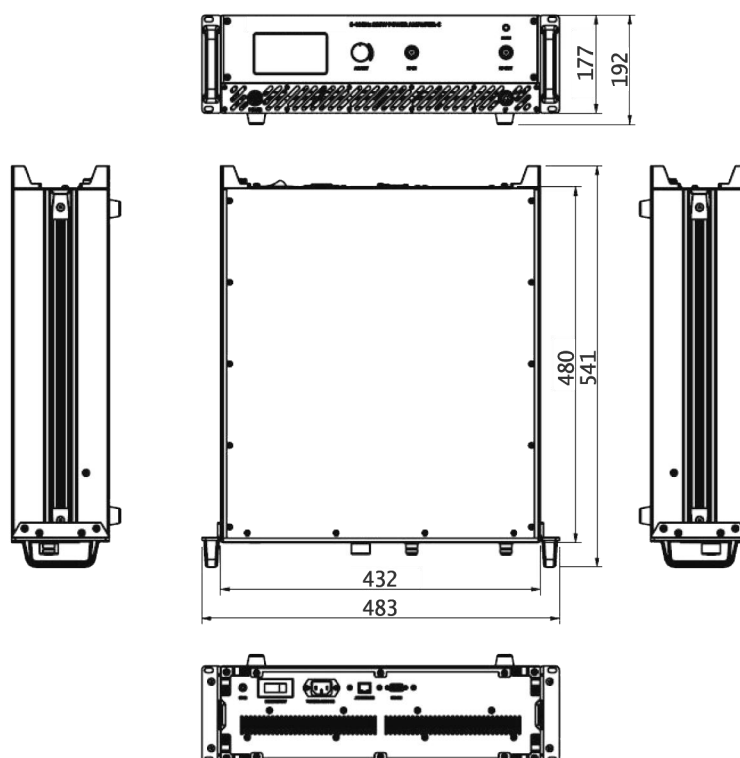
SPA-2-6-20			
Frequency Range	2GHz - 6GHz	Input Power	0dBm (max.)
Output Power	20W (min.)	Harmonic	-10dBc (typ.)
Gain	47dB (min.)	Background Noise	-40dBm/MHz (max.)
Gain Flatness	± 3dB (max.)	Spurious	-60dBc (max.)
Adjustable Gain	20dB (max.)	Input VSWR	1.5:1 (typ.)
Impedance	50 ohm	Input Port	SMA (female)

SPA--2-6-20 Solid State Power Amplifier

(2GHz - 6GHz, 20W)

Output Port	SMA (female)	Dimension	19", 3U
Communication Interface	RS485, LAN	Power Supply	AC 220V±10%, 50/60Hz
Operating Temperature	0 - 50°C	Cooling Type	Air cooling

Outline Structure



Options

Module No.	Item
001	Overdrive protection
002	GPIB interface

Note: Information will conduct the necessary updates, the contents of this document are subject to change without notice.