

SPA-0P7-2P3-100 Solid State Power Amplifier

(0.7GHz - 2.3GHz, 100W)

Key Features

- Multi-octave broadband performance
- High output power
- Wide dynamic range
- High-efficiency GaN technology
- Low power consumption
- Low spurious signal
- Forward/reverse power monitoring
- Extremely load-resistant
- Over voltage, over temperature, over current protection
- Optional overdrive protection
- CE, RoHS certification



Overview

Saluki SPA-0P7-2P3-100 is a solid-state RF power amplifier with an output frequency of 0.7GHz to 2.3GHz and an output power of 100W. Its design is based on the most advanced GaN technology in the industry, and its power output is efficient and reliable. It is mainly used for testing and measuring instruments, Communication or interference, aviation control and other fields. The product has functions such as temperature and current detection, alarm protection and so on.

Technical Specifications

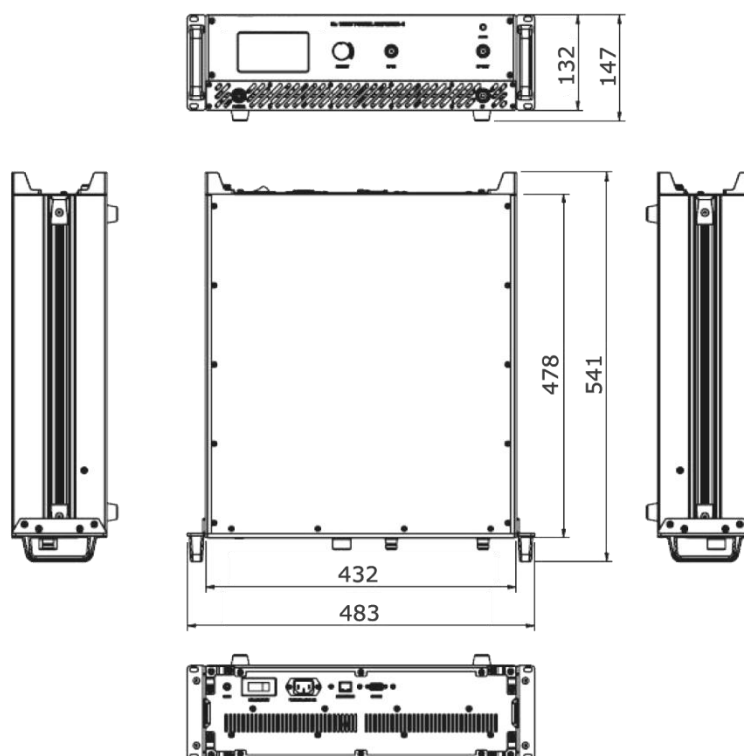
SPA-0P7-2P3-100			
Frequency Range	0.7GHz - 2.3GHz	Input Power	5dBm (max.)
Output Power	100W (min.)	Harmonic	-10dBc (typ.)
Gain	50dB (min.)	Spurious	-60dBc (max.)
Gain Flatness	± 3dB (max.)	Input VSWR	1.5:1 (typ.)
Adjustable Gain	20dB (max.)	Impedance	50 ohm
Input Port	N-50KFD	Output Port	N-50KFD

SPA-0P7-2P3-100 Solid State Power Amplifier

(0.7GHz - 2.3GHz, 100W)

Communication Interface	RJ45	Power Supply	AC 220V±10%, 50/60Hz
Dimension	19", 3U	Cooling Type	Air cooling
Operating Temperature	0 - 50°C		

Outline Structure



Options

Module No.	Item
001	Overdrive protection
002	GPIB interface

Note: Information will conduct the necessary updates, the contents of this document are subject to change without notice.