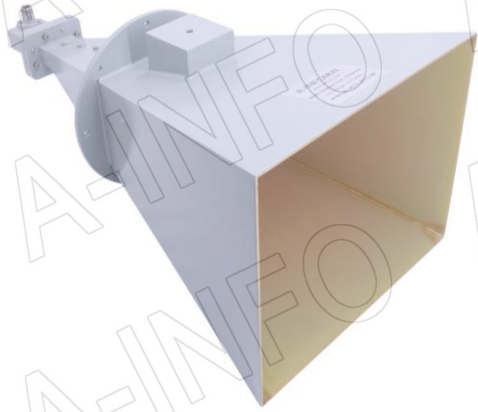


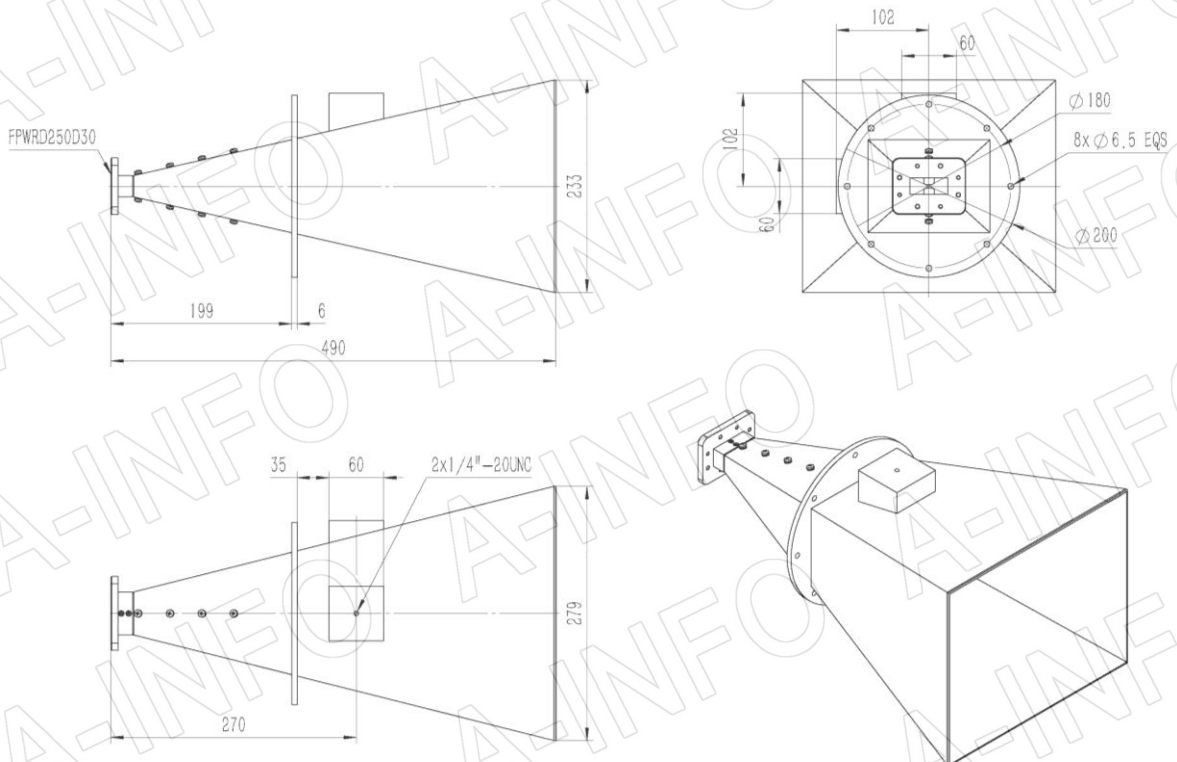
Technical Specification



Frequency Range(GHz)	2.6 - 7.8
Gain(dBi)	20 Typ.
Polarization	Linear
3dB Beamwidth(deg)	E Plane: 24 - 8
	H Plane: 27 - 10
Cross Pol. Isolation(dB)	35 Typ.
VSWR	1.50:1 Typ.
Output	A Type: FPWRD250D30
	C Type: N-Female or SMA-Female
Power Handling(W CW)	N-Female: 500 Max.
	SMA-Female: 50 Max.
Material	Al
Size(mm)	A Type: 279 x 233 x 490
	C Type: 279 x 233 x 557
Net Weight(Kg)	A Type: 2.85 Around
	C Type: 3.12 Around

Outline Drawing (Size: mm)

FPWRD250D30 Output (P/N: LB-2678-20-A)



AINFO Inc.

China(Beijing): Tel: (+86) 10-6266-7326,
China(Chengdu): Tel: (+86) 28-8519-2786,
USA: Tel: (+1) 949-639-9688,

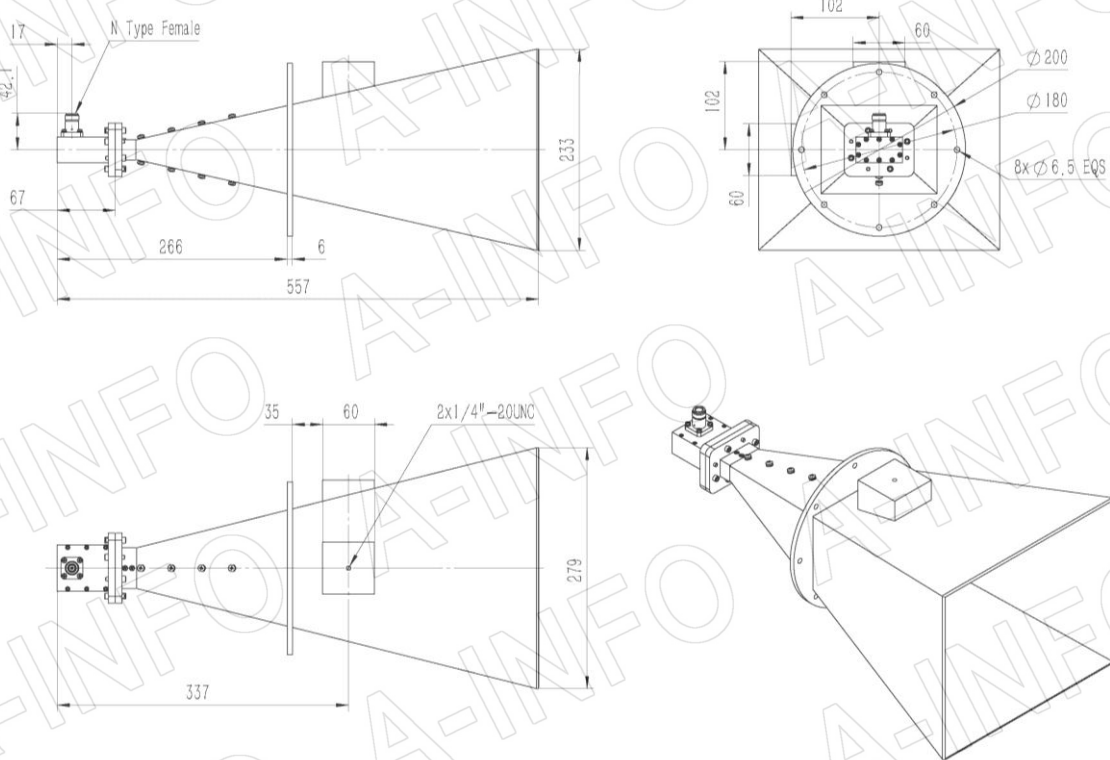
Page 1 of 10

(+86) 10-6266-7327 Fax: (+86) 10-6266-7379
(+86) 28-8519-3044 Fax: (+86) 28-8519-3068
(+1) 949-639-9608 Fax: (+1) 949-639-9670

Website: www.ainfoinc.com
Email: sales@ainfoinc.com

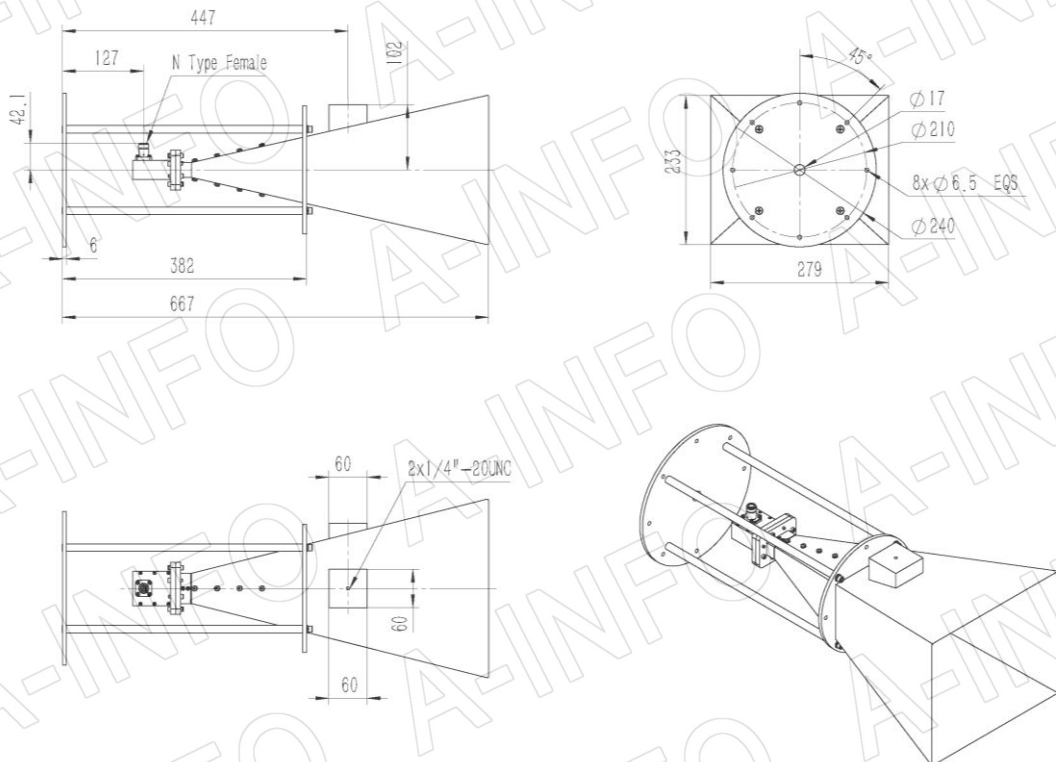
N-Female Output (P/N: LB-2678-20-C-NF)

For SMA-Female output outline drawing, please contact A-INFO.



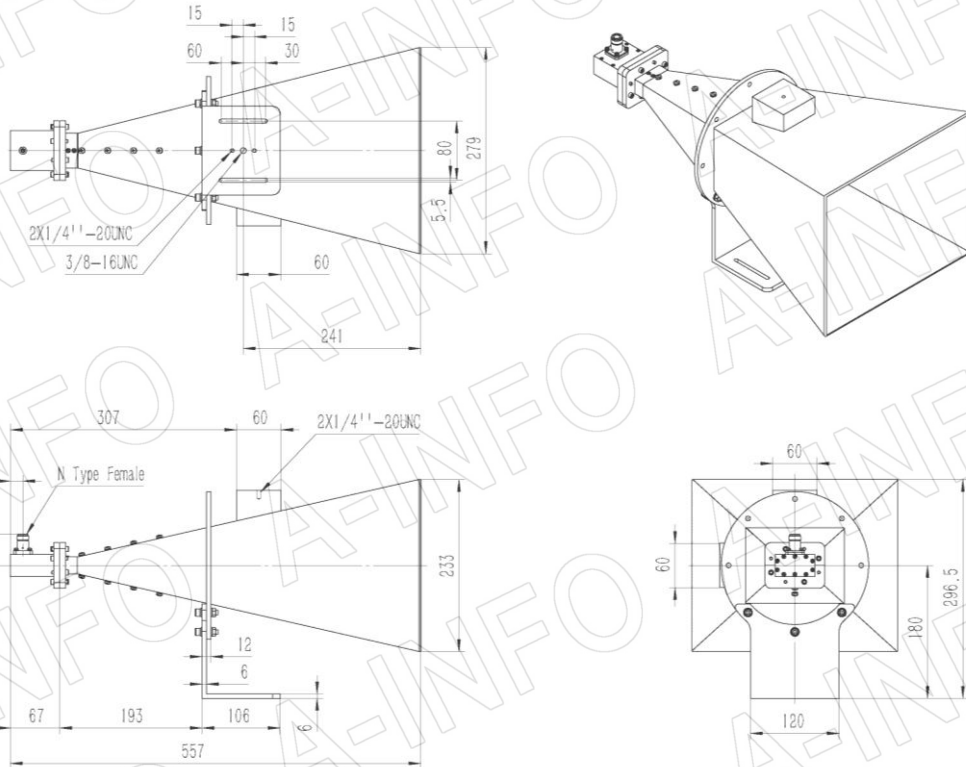
N-Female Output with Round Mounting Bracket (Option, P/N: LB-90-25-MB2)

For SMA-Female output outline drawing, please contact A-INFO.

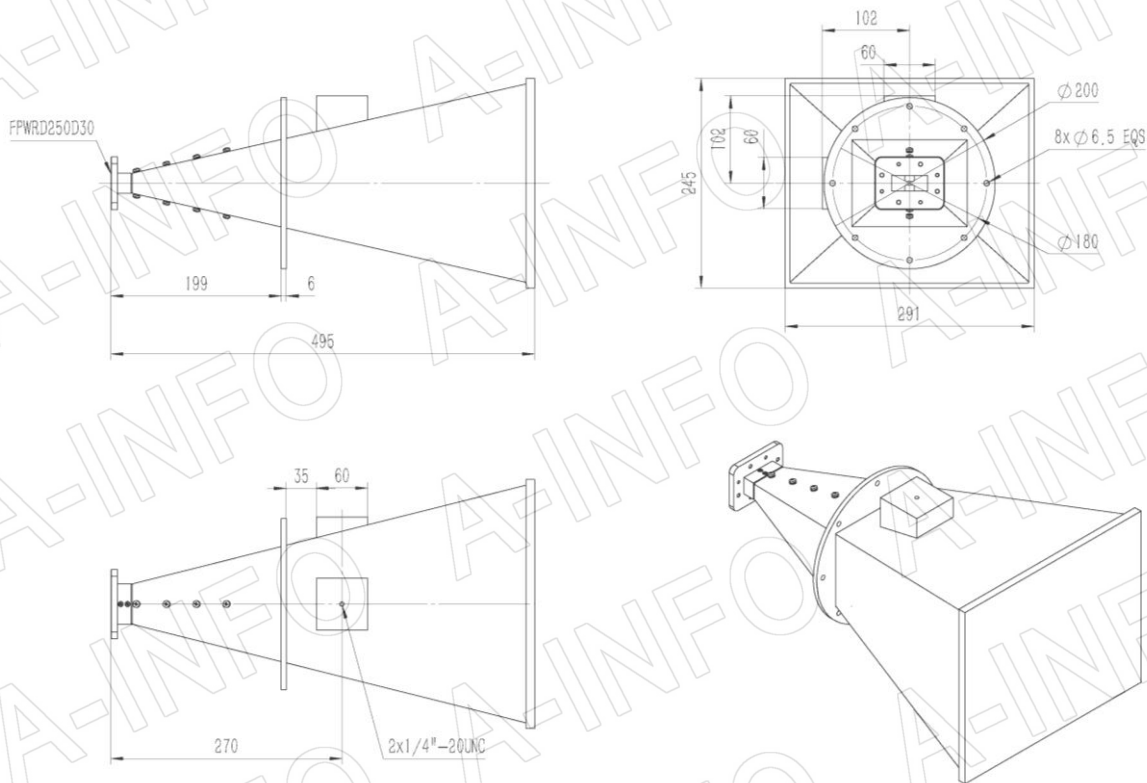


N-Female Output with L Type Mounting Bracket (Option, P/N: LB-90-25-L2)

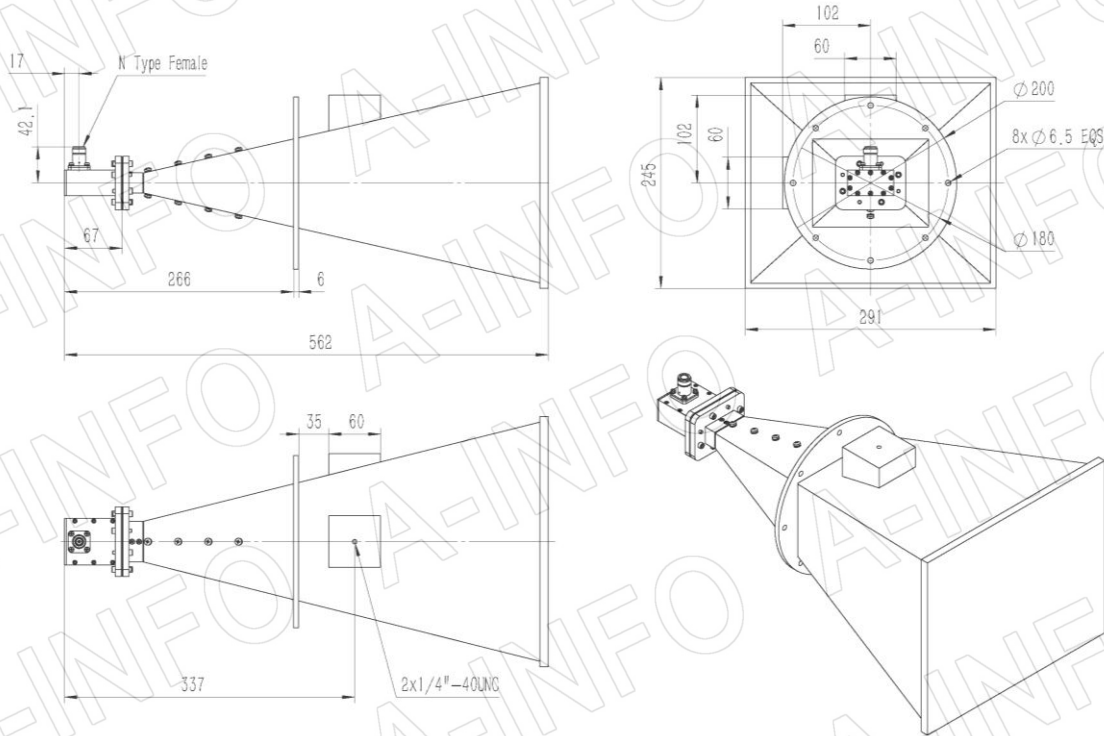
For SMA-Female output outline drawing, please contact A-INFO.



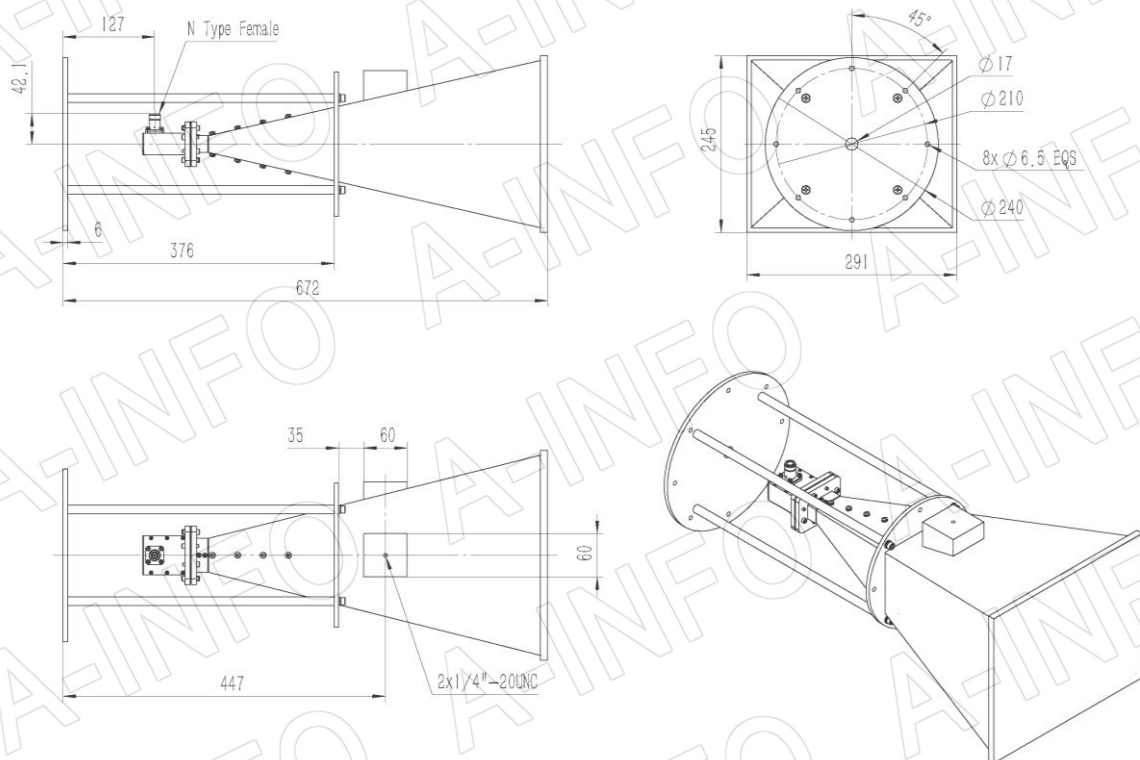
FPWRD250D30 Output with Radome (Option, P/N: LB-2678-20-ASPO, Outdoor Application)



N-Female Output with Radome (Option, P/N: LB-2678-20-C-NFSP0, Outdoor Application)
 For SMA-Female output outline drawing, please contact A-INFO.

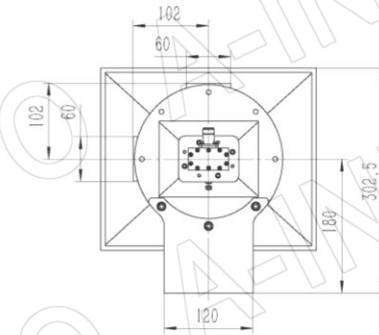
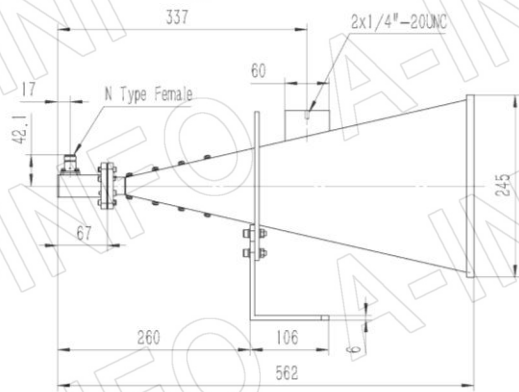
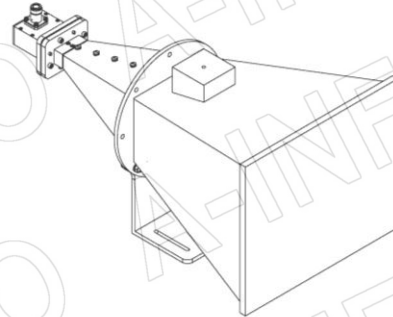
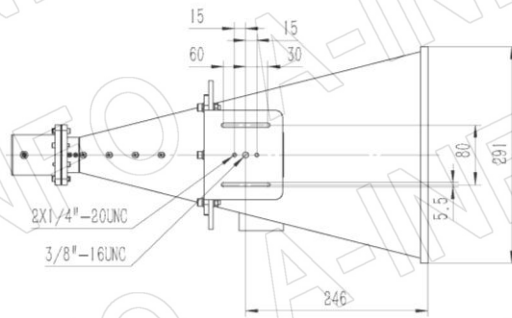


N-Female Output with Round Mounting Bracket & Radome (Option, P/N: LB-90-25-MB2 & LB-2678-20-C-NFSP0, Outdoor Application)
 For SMA-Female output outline drawing, please contact A-INFO.



N-Female Output with L Type Mounting Bracket & Radome (Option, P/N: LB-90-25-L2 & LB-2678-20-C-NFSPO, Outdoor Application))

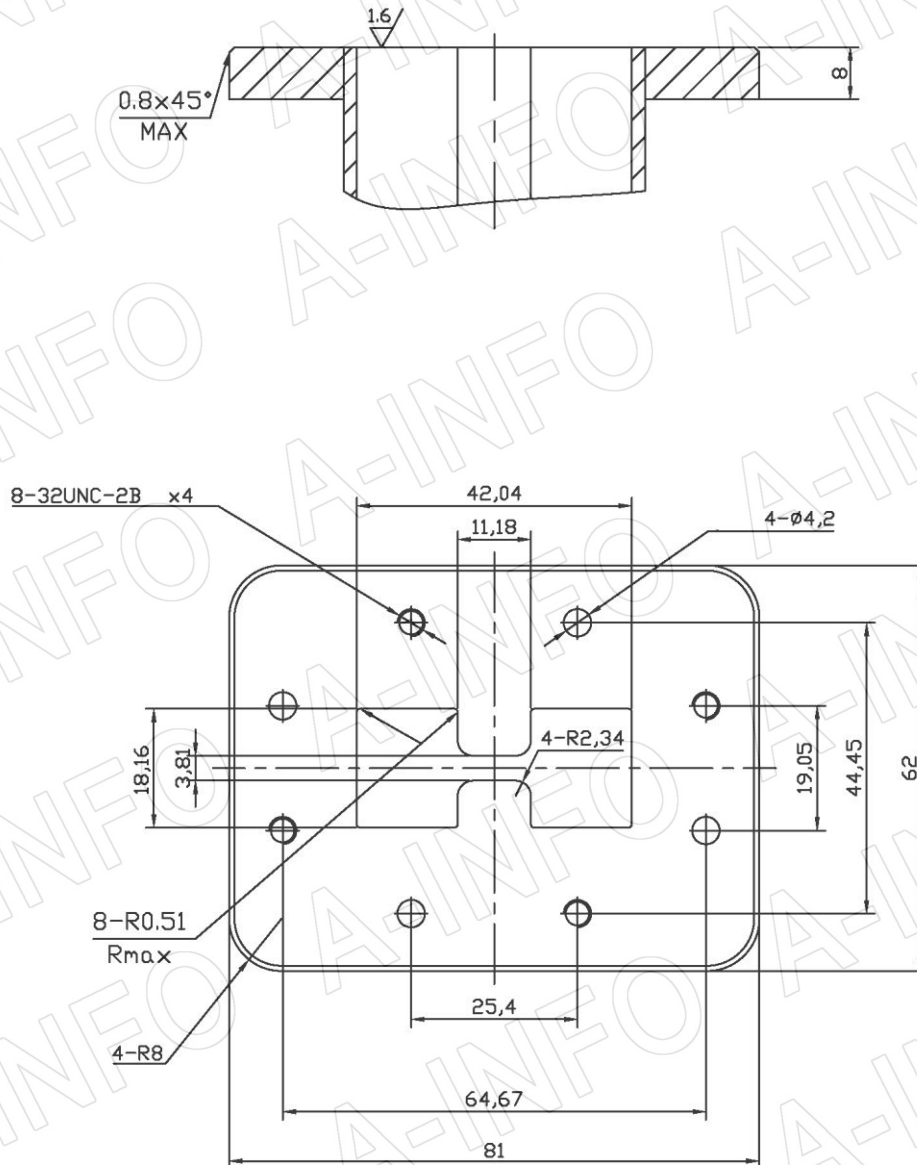
For SMA-Female output outline drawing, please contact A-INFO.



Flange Drawing (Size: mm)

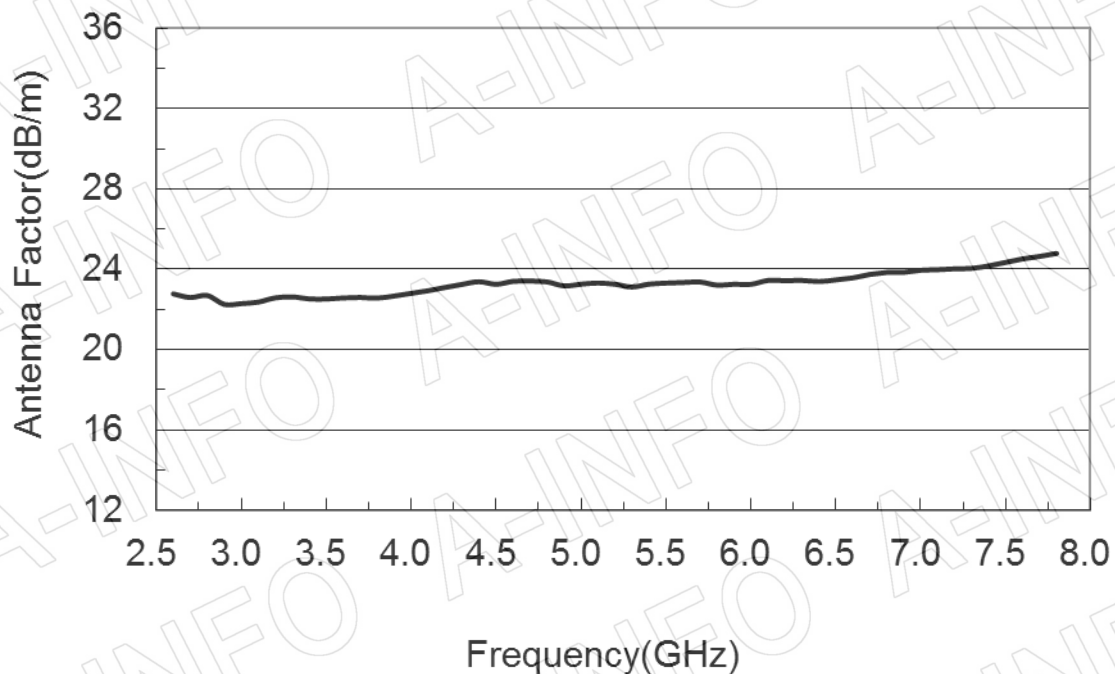
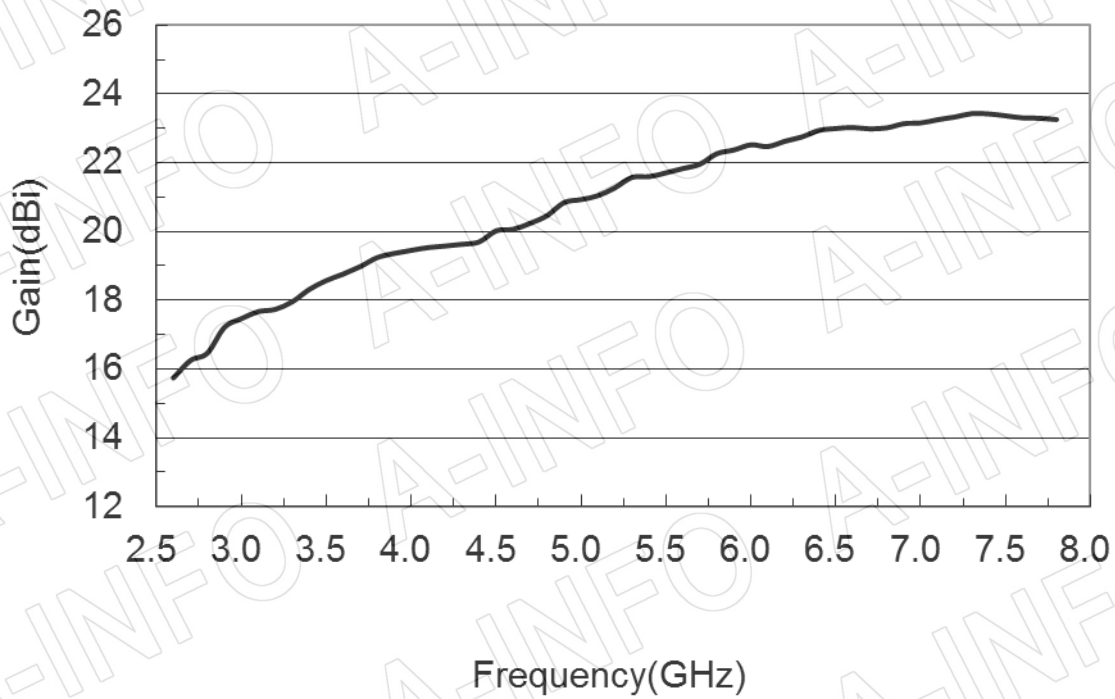
FPWRD250D30

(With four through mounting holes
and four screws holes)

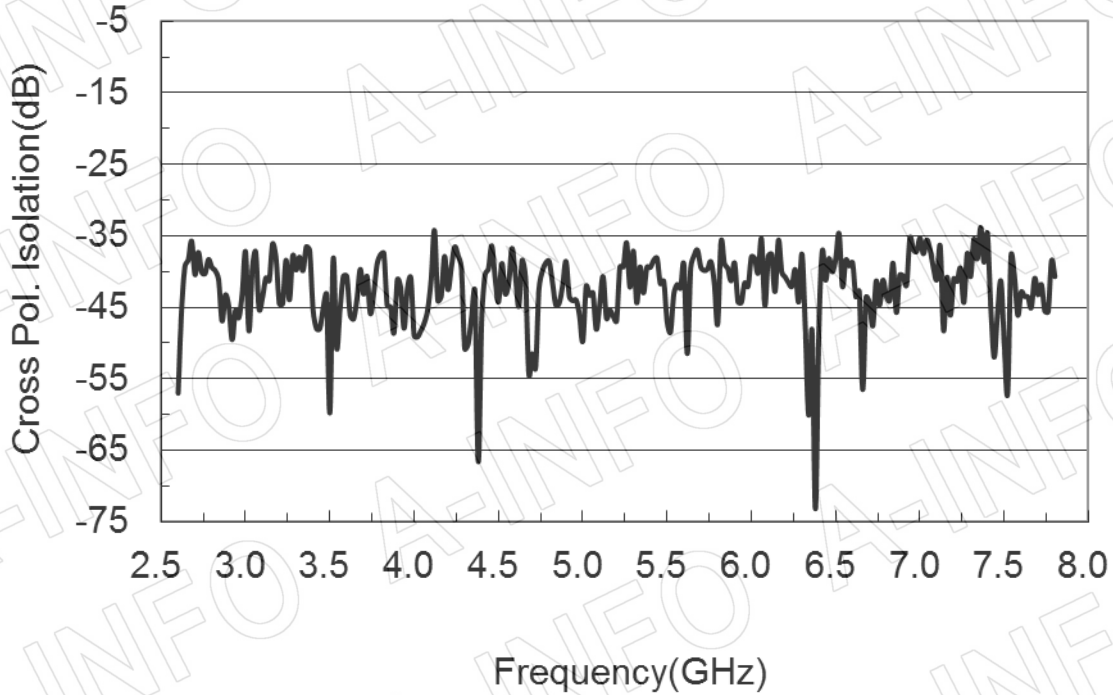


Test Results

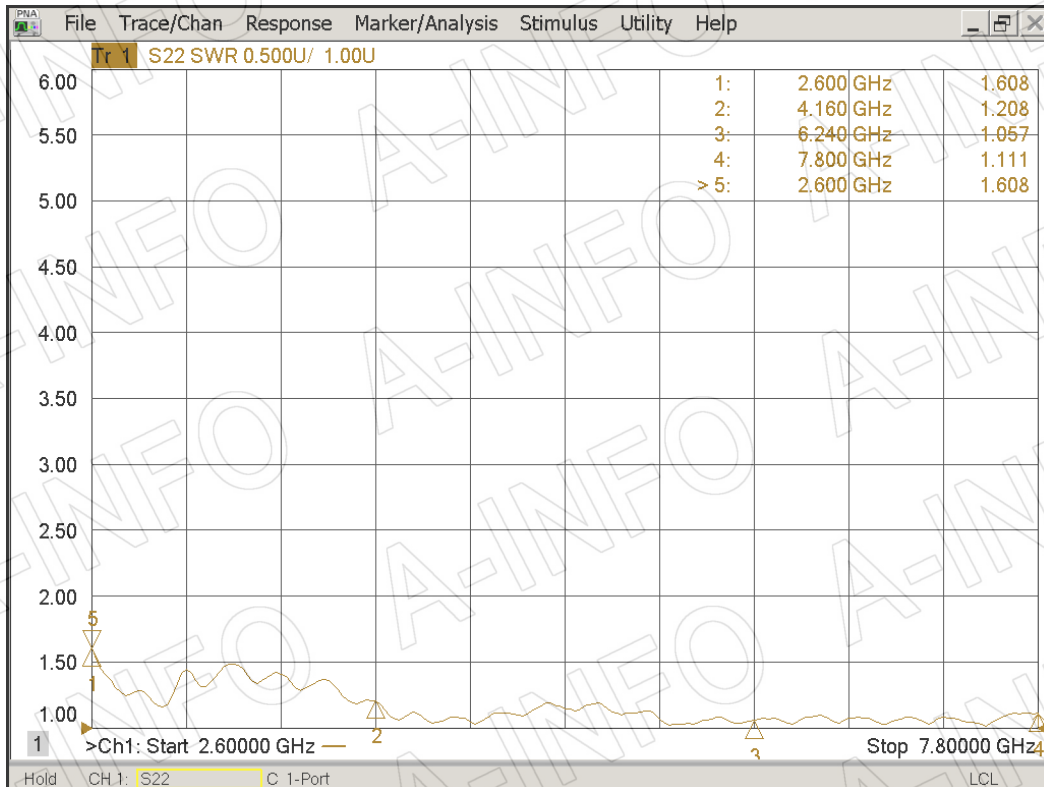
1. Gain & Antenna Factor



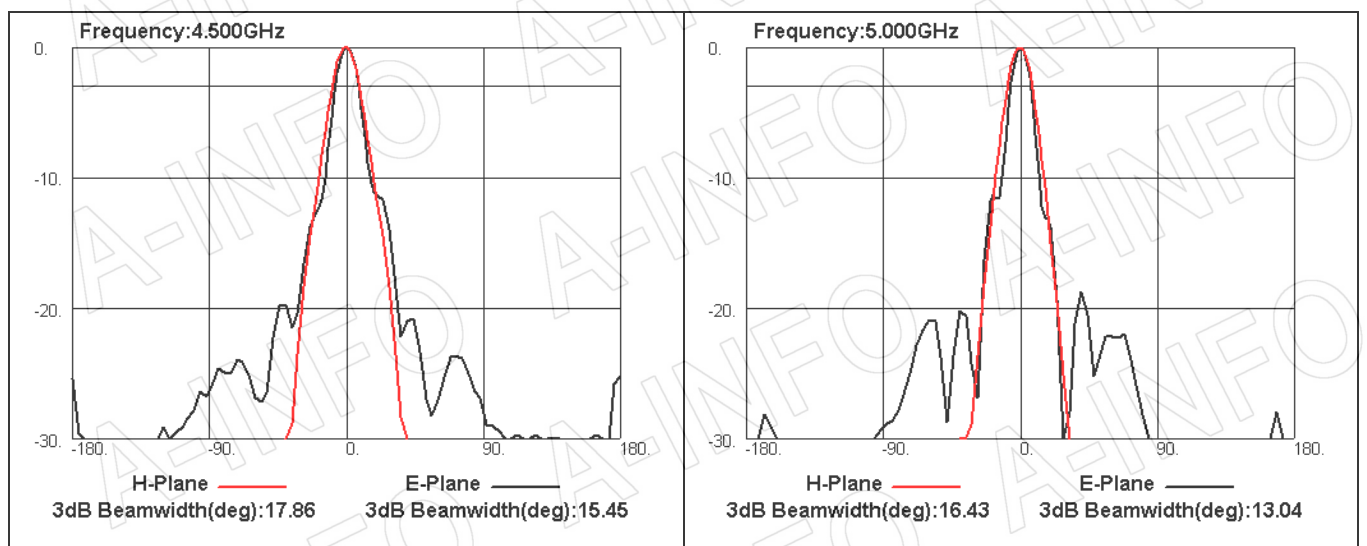
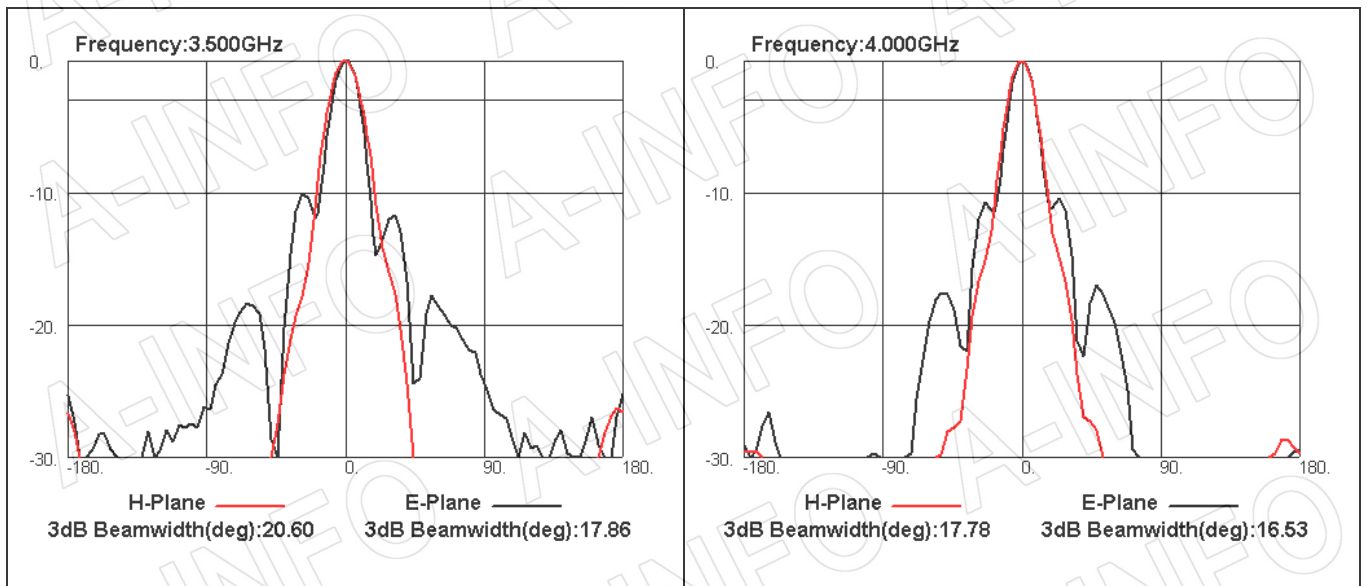
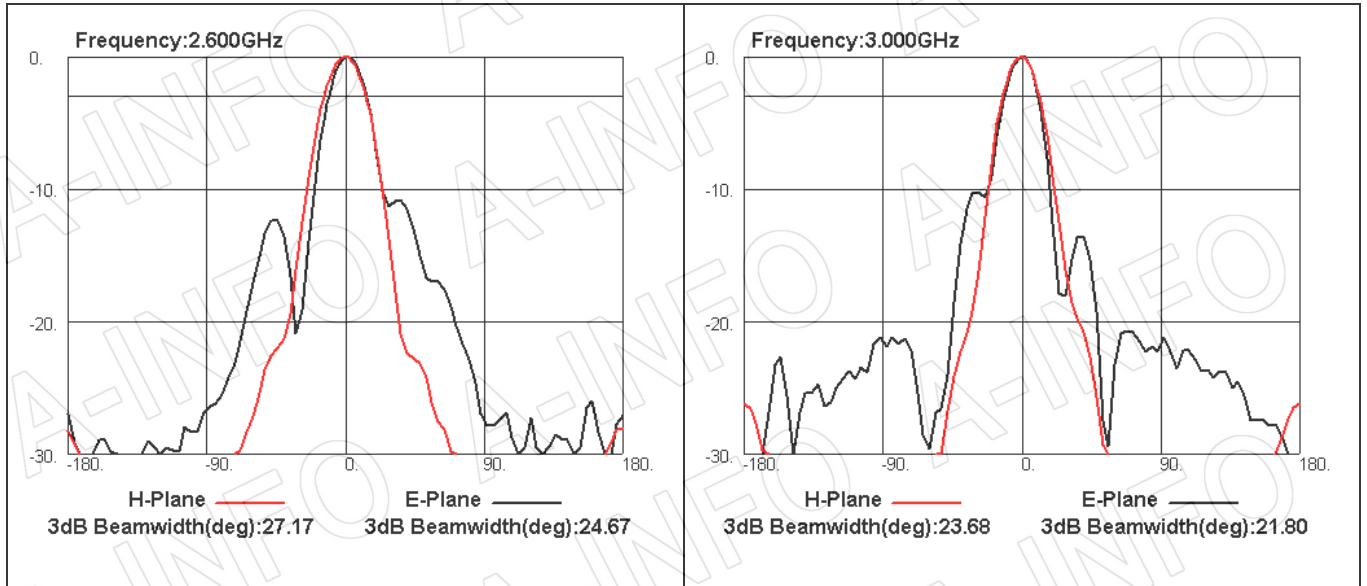
2. Cross Polarization Isolation



3. VSWR



4. Pattern



AINFO Inc.

China(Beijing):
China(Chengdu):
USA :

Tel: (+86) 10-6266-7326,
Tel: (+86) 28-8519-2786,
Tel: (+1) 949-639-9688,

(+86) 10-6266-7327
(+86) 28-8519-3044
(+1) 949-639-9608

Page 9 of 10

Fax: (+86) 10-6266-7379
Fax: (+86) 28-8519-3068
Fax: (+1) 949-639-9670

Website: www.ainfoinc.com
Email: sales@ainfoinc.com

