

## QPD3-800-2500-K2-7

### 3-Way, 0.8~2.5GHz

Features:  
 \* Small Size  
 \* Low Insertion Loss

Applications:  
 \* Amplifiers  
 \* Mixers  
 \* Antennas  
 \* Laboratory Test

#### Electrical

Frequency:	0.8~2.5GHz
Insertion Loss:	0.5dB max.
Input VSWR:	1.2 max.
Output VSWR:	1.2 max.
Isolation:	20dB min.
Amplitude Balance:	0.3dB max.
Phase Balance:	4° max.
Impedance:	50Ω
Power @SUM Port:	200W max. as divider

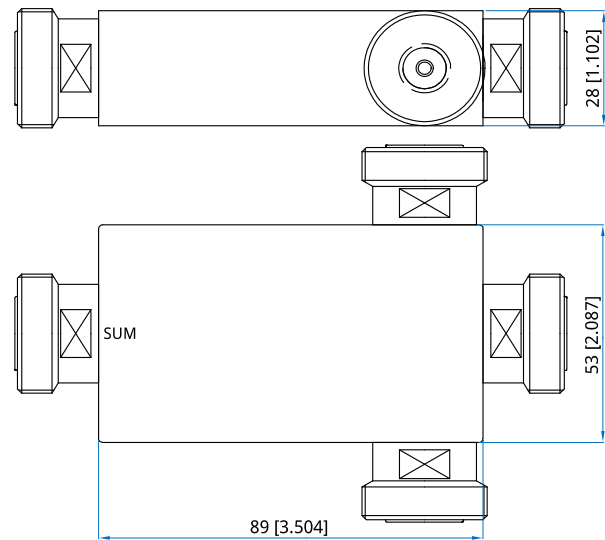
#### Mechanical

Size:	89*53*28mm 3.504*2.087*1.102in
-------	-----------------------------------

#### Environmental

Operation Temperature:	-30~+70°C
------------------------	-----------

#### Outline Drawings



Unit: mm [in]  
 Tolerance: ±0.5mm [±0.02in]

#### How To Order

**QPD3-800-2500-K2-7**

Customization is available upon request.