

## QWCA-15-V

### WR-15 to 1.85mm

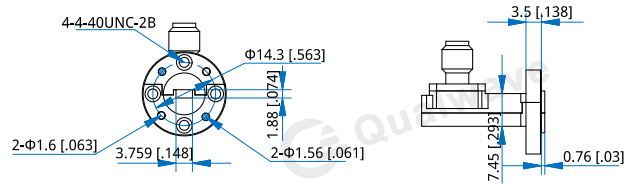
Features:  
\* Low VSWR

Applications:  
\* Wireless  
\* Transmitter  
\* Laboratory Test  
\* Radar

#### Electrical

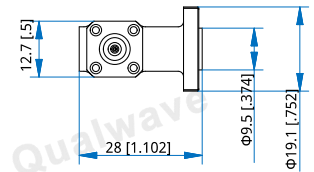
Frequency:	50~67GHz 50~75GHz (Outline B)
VSWR:	1.6 max. 1.35 max. (Outline B)
Insertion Loss:	0.8dB max. (Outline A)
Impedance:	50Ω

#### Outline Drawings



#### Mechanical

RF Connectors:	1.85mm
Interface:	WR-15
Flange:	UG-385/U
Material:	Gold plated brass



Outline A

#### Environmental

Operating Temperature: -55~+125°C

#### How To Order

##### QWCA-15-X-Y

X: Connector type.

Y: Configuration type.

Z: Flange type if applicable.

Connector naming rules:

V - 1.85mm Male (Outline A, B)

VF - 1.85mm Female (Outline A)

Configuration naming rules:

E - End launch (Outline B)

R - Right angle (Outline A)

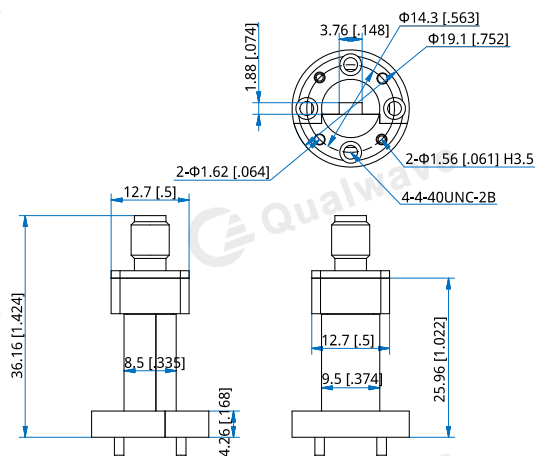
Flange naming rules:

6 - UG-385/U mateable with FUGP620 (Outline A,B)

Examples:

To order a waveguide to coax adapter, WR-15 to 1.85mm male, right angle, UG-385/U, specify QWCA-15-V-R-6.

Customization is available upon request.



Outline B

Unit: mm [in]

Tolerance: ±0.2mm [±0.008in]