

# QWCA-D250-7

## WRD-250 to L29

Features:  
\* Low VSWR

Applications:  
\* Wireless  
\* Transmitter  
\* Laboratory Test  
\* Radar

### Electrical

Frequency: 2.5~6GHz  
VSWR: 1.5 max.  
Insertion Loss: 0.3dB max.

### Environmental

Operating Temperature: -70~+165°C

### Mechanical

Coax Connectors\*1: L29  
Waveguide Size: WRD-250  
Flange: FPWRD250  
Material: Aluminium

[1] Mateable with 7mm.

### How To Order

#### QWCA-D250-X-Y-Z

X : Connector type.

Y : Configuration type.

Z : Flange type if applicable.

Connector naming rules:

7 - L29 Male (Outline A)

7F - L29 Female (Outline A)

Configuration naming rules:

E - End launch

R - Right angle (Outline A)

Flange naming rules:

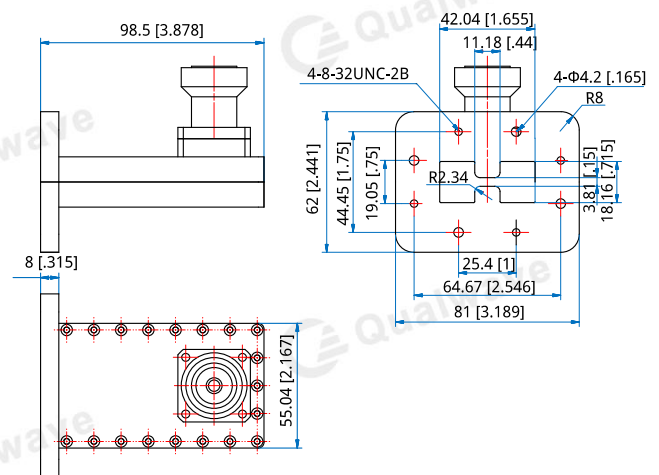
8 - FPWRD (Outline A)

Examples:

To order a waveguide to coax adapter, WR-D250 to L29 female, right angle, FPWRD, specify QWCA-D250-7F-R-8.

Customization is available upon request.

### Outline Drawings



Outline A

Unit: mm [in]

Tolerance: ±0.2mm [±0.008in]