

QWCA-12-1

WR-12 to 1.0mm

Features:
* Low VSWR

Applications:
* Wireless
* Transmitter
* Laboratory Test
* Radar

Electrical

Frequency:	60.5~91.9GHz
VSWR:	1.38 max. 1.5 max. (End launch)
Insertion Loss:	1dB max.
Impedance:	50Ω

Mechanical

Coax Connectors:	1.0mm
Waveguide Size:	WR-12
Flange:	UG-387/U
Material:	Gold plated brass

Environmental

Operating Temperature: -55~+125°C

How To Order

QWCA-12-X-Y-Z

X : Connector type.

Y : Configuration type.

Z : Flange type if applicable.

Connector naming rules:

1F - 1.0mm Female (Outline A, Outline B)

1 - 1.0mm Male (Outline A, Outline B)

Configuration naming rules:

E - End launch (Outline A)

R - Right angle (Outline B)

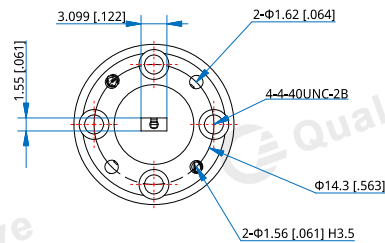
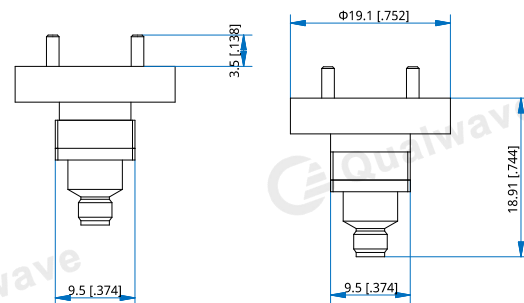
Flange naming rules:

7 - UG-387/U (Outline A, Outline B)

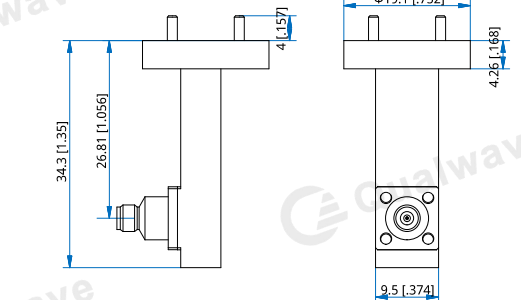
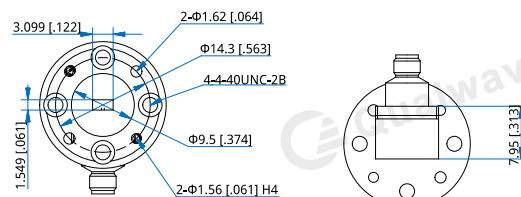
Examples:

To order a waveguide to coax adapter, WR-12 to 1.0mm female, end launch, UG-387/U, specify QWCA-12-1F-E-7.

Outline Drawings



Outline A



Outline B

Unit: mm [in]

Tolerance: ±0.2mm [±0.008in]

Customization is available upon request.