

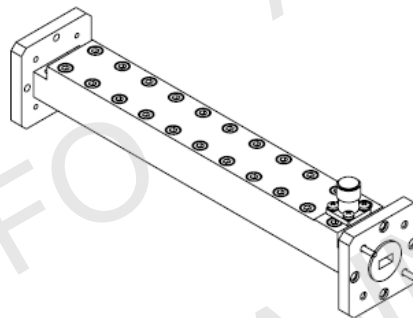
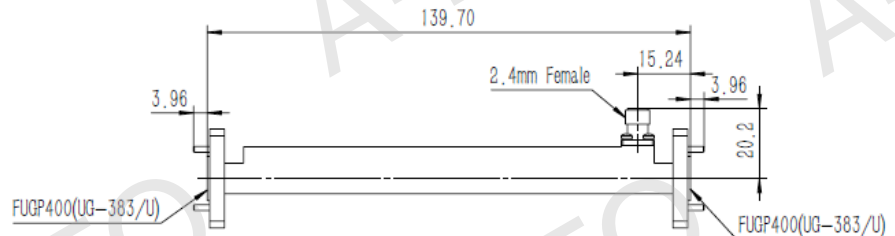
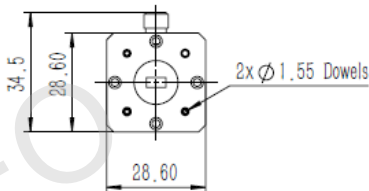
Technical Specification



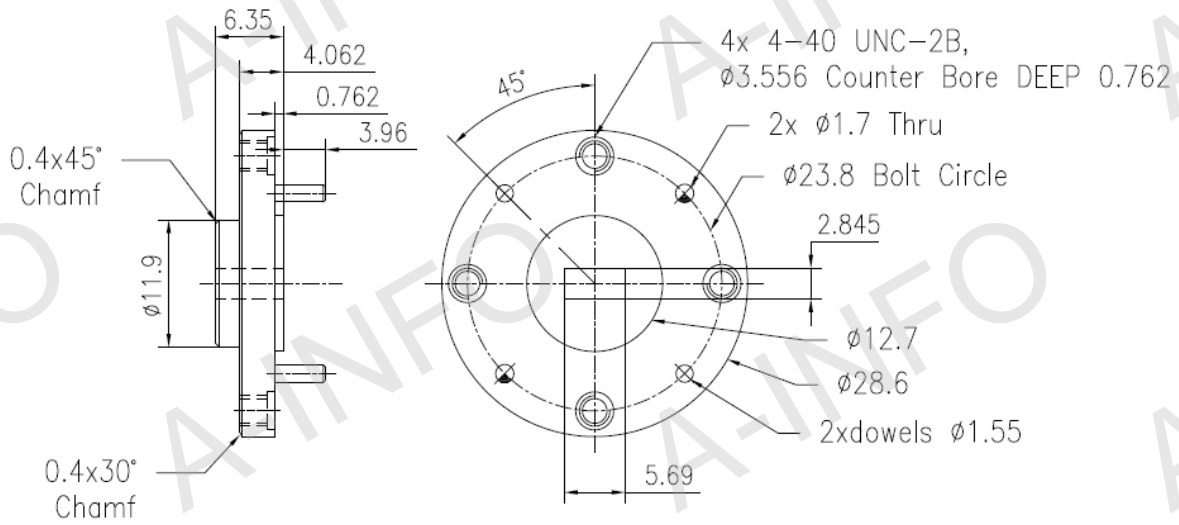
EIA WR	WR22
Frequency Range(GHz)	33.0 - 50.0
Coupling(dB)	40.0
Coupling Accuracy(dB)	±1.0 Max.
Frequency Sensitivity(dB)	±0.9 Max.
Directivity(dB)	30 Min.
Insertion Loss(dB)	0.3 Max. (Not including the theoretical loss 4.34×10^{-4} dB)
Mainline VSWR	1.15:1 Max.
Secondline VSWR	1.50:1 Max.
Flange	FUGP400(UG-383/U)
Connector	2.4mm-Female
Material	Cu
Size(mm)	139.7 x 28.6 x 34.5
Net Weight(Kg)	0.28 Around

Outline Drawing (Size: mm)

Coupling Port: 2.4mm-Female



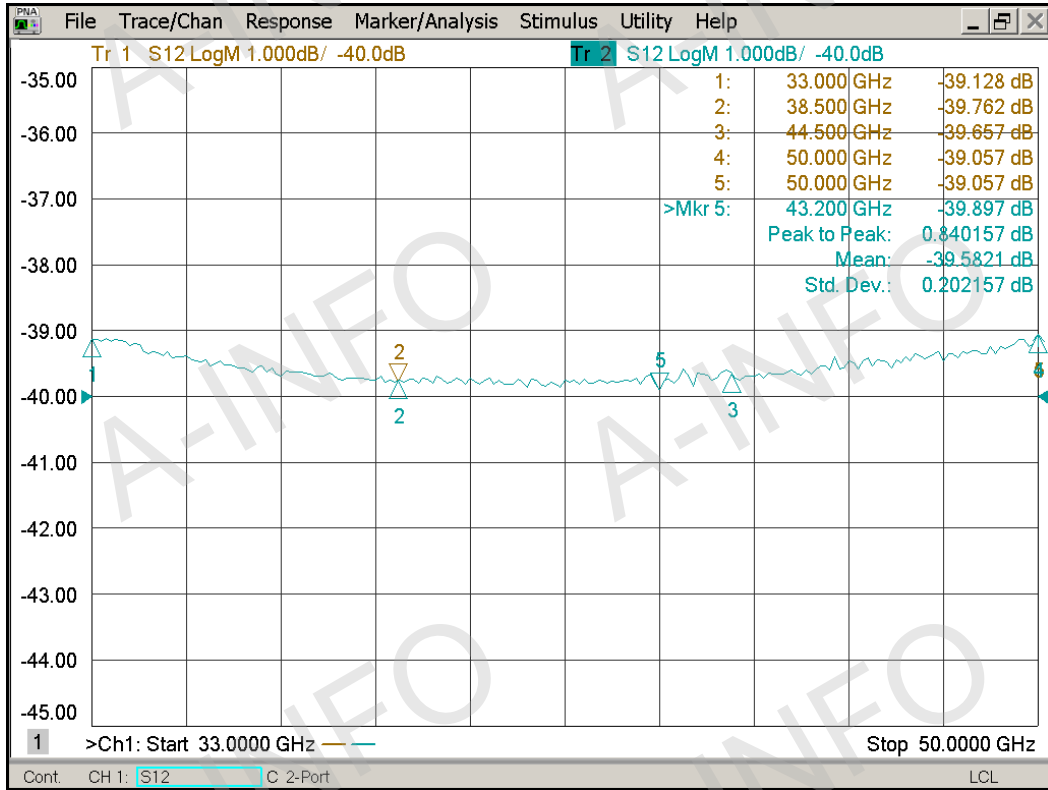
Flange Drawing (Size: mm)



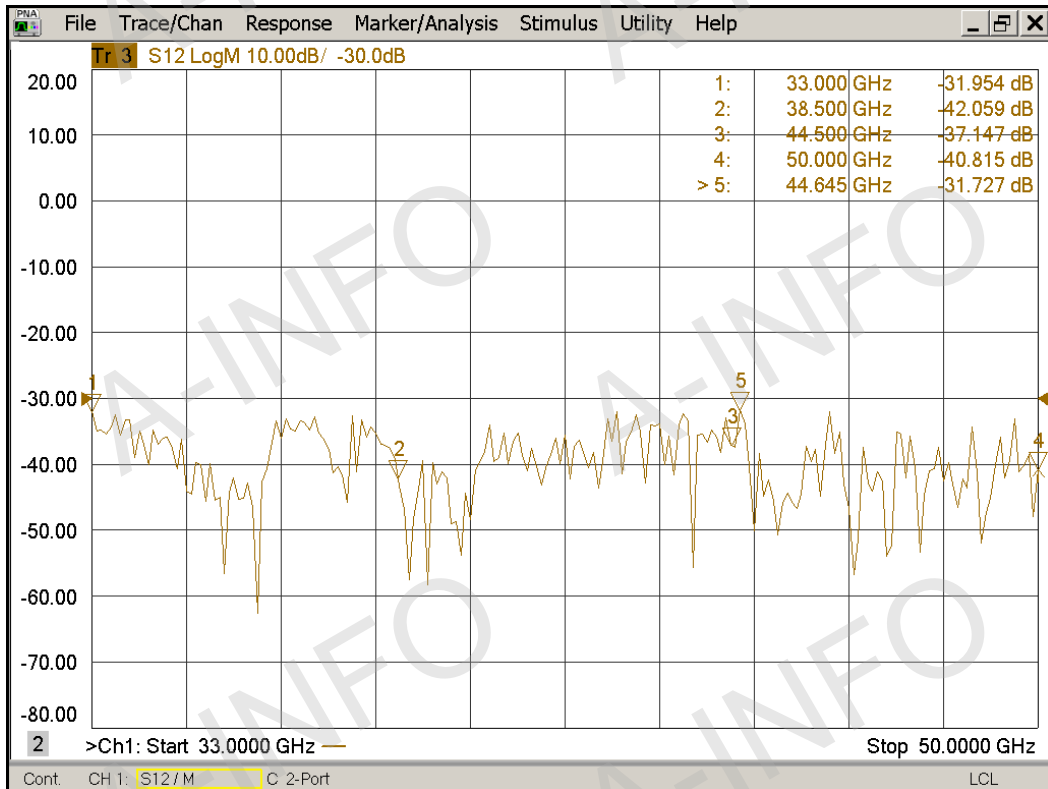
FUGP400
(equivalent to UG-383/U)

Test Results

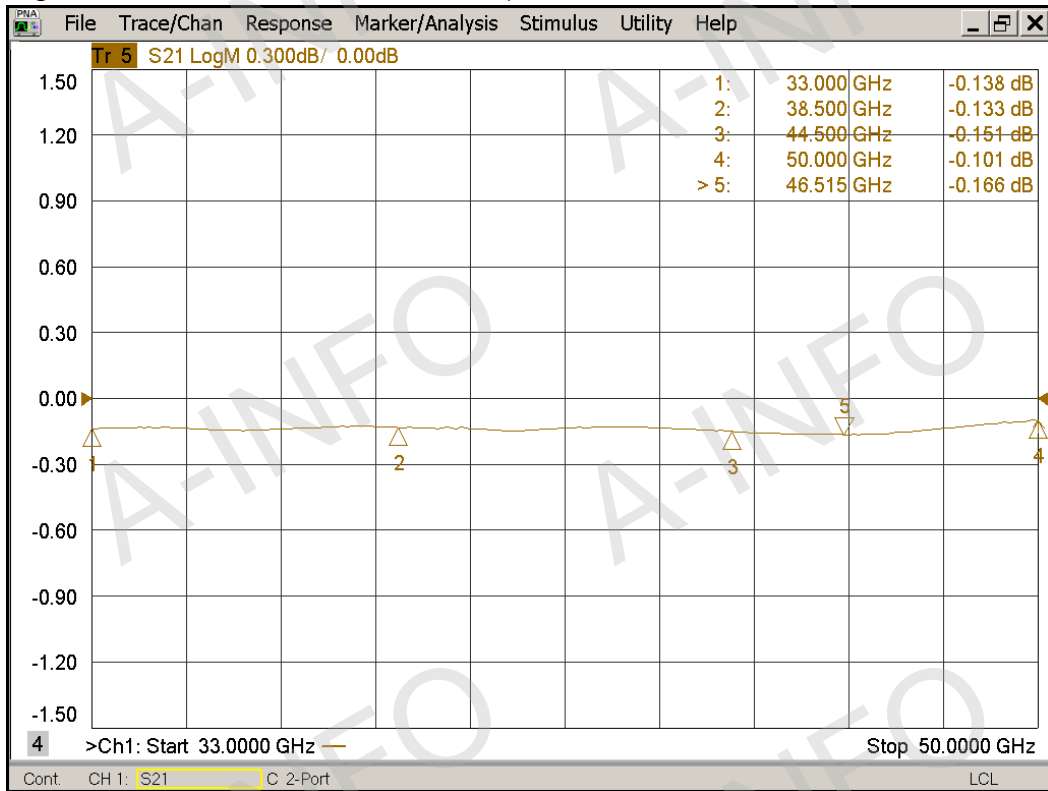
Coupling



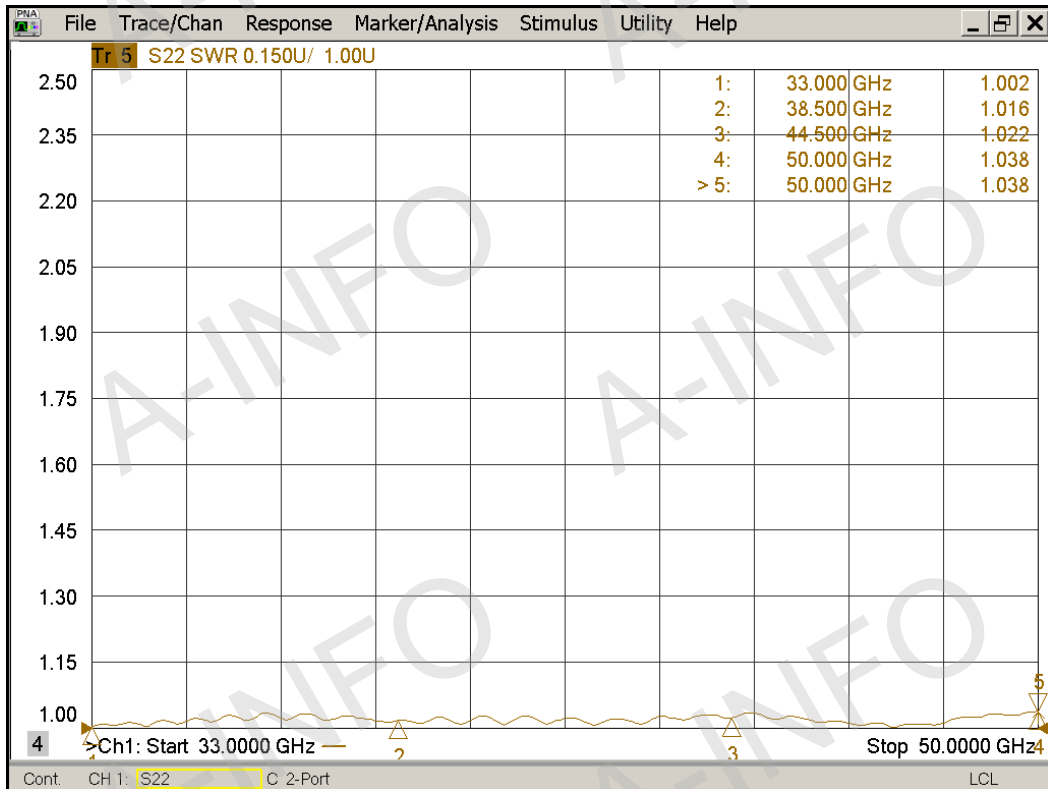
Directivity



I.L. (Including the theoretical loss 4.34×10^{-4} dB)



Mainline VSWR



Secondline VSWR

