

## QWCA-62-N

### WR-62 to N

Features:  
\* Low VSWR

Applications:  
\* Wireless  
\* Transmitter  
\* Laboratory Test  
\* Radar

#### Electrical

Frequency: 11.9~18GHz  
VSWR: 1.2 max.  
Insertion loss: 0.3dB max.  
Impedance: 50Ω

#### Mechanical

Coax Connectors: N  
Waveguide Size: WR-62  
Flange: FBP140&FBM140  
Material: Aluminium

#### Environmental

Operating Temperature: -70~+165°C

#### How To Order

##### QWCA-62-X-Y-Z

X : Connector type.

Y : Configuration type.

Z : Flange type if applicable

Connector naming rules:

N - N Male (Outline A, Outline B)

NF - N Female (Outline A, Outline B)

Configuration naming rules:

E - End launch

R - Right angle (Outline A, Outline B)

Flange naming rules:

1 - FBP (Outline A)

2 - FDP

3 - FBM (Outline B)

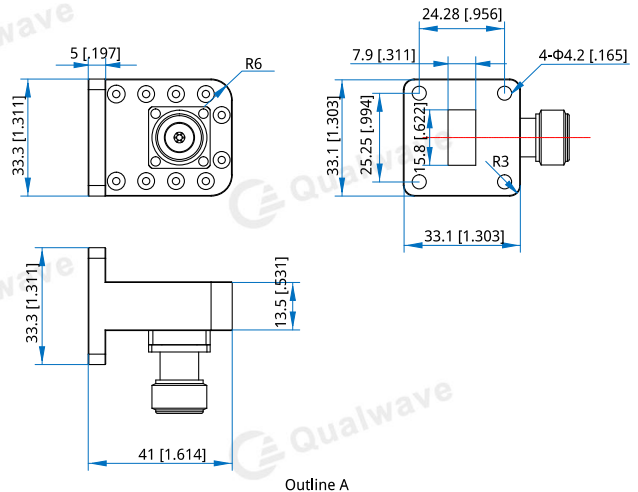
4 - FDM

Examples:

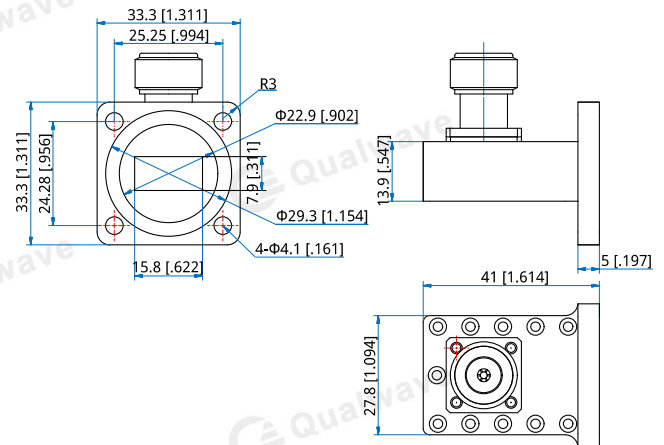
To order a waveguide to coax adapter, WR-62 to N female, right angle, FBP, specify QWCA-62-NF-R-1.

Customization is available upon request.

#### Outline Drawings



Outline A



Outline B

Unit: mm [in]

Tolerance: ±0.2mm [±0.008in]